

Tamerica 210PB Comb Binding Machine

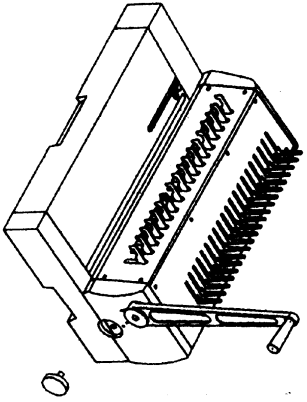
Instruction Manual



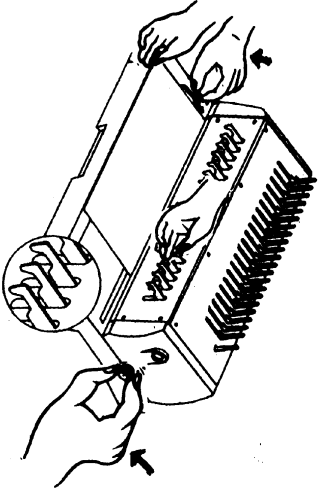
Provided By

MyBinding.com®
When Image Matters.

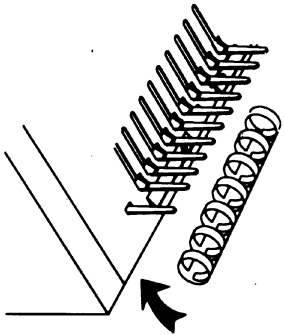
1 Insert handle from right side and attach handle onto master shaft. Then insert knob set and tighten the handle.



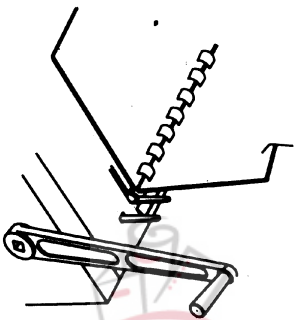
3 1. Adjust side guide.
2. Pull set pin out to cancel this die if you find edge of document partially covers one of white rectangles on the alignment scale.
3. Adjust knob for binding depth to 1, 2, 3, or 4.



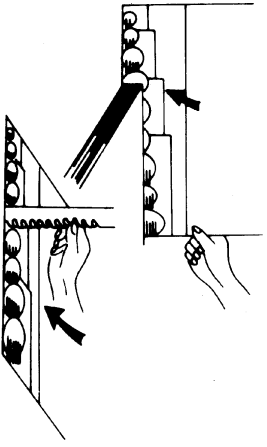
5 Place ring with opening side up behind metal finger.



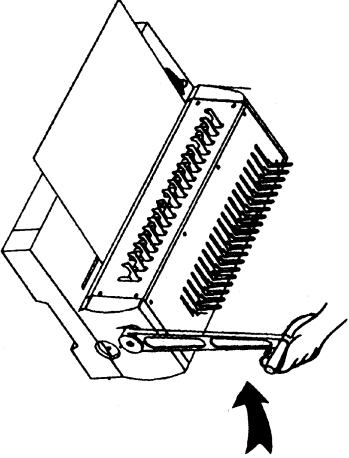
7 Insert papers vertically and make sure all fingers are line up with punched holes lay down papers horizontally. Continue this step until all papers are bound.



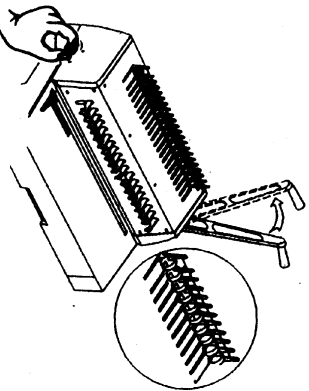
2 Measure the thickness of papers to be bound and determine punching depth by using binding gauge. Select correct diameter of binding comb to use.



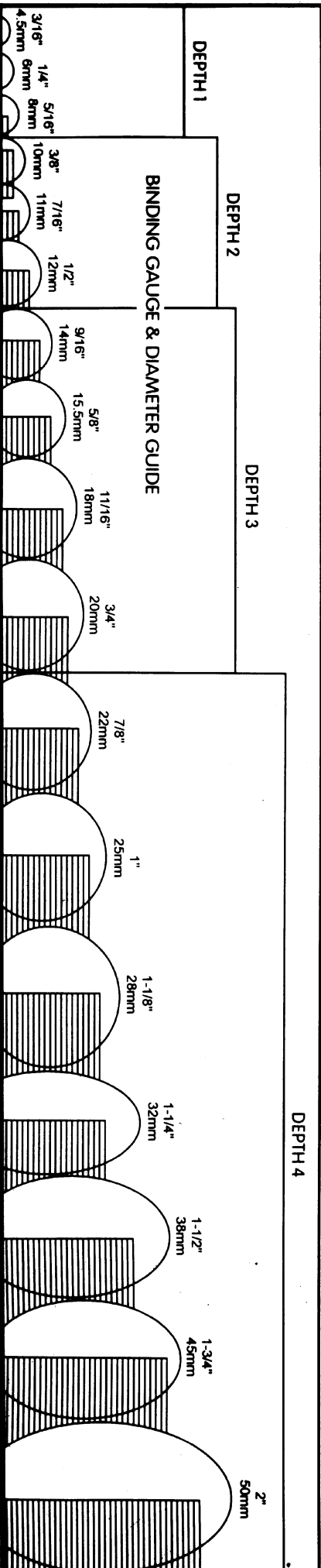
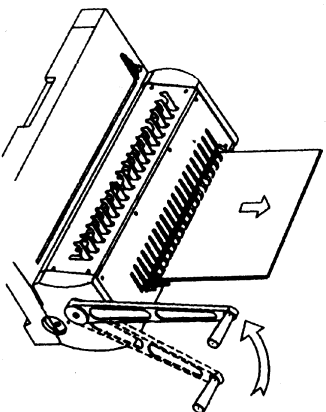
4 Insert paper into punch throat. pull handle down to punch. Return handle to upright and pull paper out. Continue this step until all papers are punched.



6 1. The binder stop is on the left hand side turn it down forward to the extreme end.
2. Push the Master Arm forward until the proper opening of binding is reached. Hold it there.
3. Turn the Binder Stop back until it locks. Fix it there.



8 Return handle to upright remove book from metal fingers. And you have a professionally bounded document.



We Have it All...



MyBinding.com

When Image Matters.

Guaranteed Lowest Prices on an Endless Selection of Binding Systems, Laminators, Paper Shredders, Supplies and Accessories.

We have you covered with Expert Advice and Support. Our popular blog keeps you up to date on the latest tips and techniques to make your most important binding and laminating tasks a success.

Call Us Today

1-800-944-4573

Our Trusted Partners

GBC / Ibico
Fellowes
Powis Fastback
Unibind
Akiles
Renz
Tamerica
Rhin-O-Tuff
DFG

Pro-Bind
Martin Yale
MBM
Formax
Intimus
Dahle
HSM
Standard
Xyron

Challenge
Lasko-Wizer
GBC Shredmaster
Avery
Wilson Jones
Cardinal
Samsill
Universal

- BINDING MACHINES
- BINDING SUPPLIES
- LAMINATORS
- I.D. ACCESSORIES
- BOARDS & EASELS
- PAPER SHREDDERS
- XYRON LAMINATORS
- COIL BINDING MACHINES
- UNIBIND BINDING MACHINES
- FASTBACK BINDING EQUIPMENT
- PAPER FOLDING MACHINES
- LAMINATING POUCHES
- ROTARY TRIMMERS
- CLEAR COVERS
- TWIN LOOP WIRE
- REGENCY COVERS
- PLASTIC BINDING COVERS
- VELOBIND BINDING MACHINES
- PAPER HANDLING EQUIPMENT
- THERMAL BINDING MACHINES
- PROCLICK BINDING SYSTEMS
- COMB BINDING MACHINES
- COMB BINDING SUPPLIES
- WIRE BINDING MACHINES
- POUCH LAMINATORS
- LAMINATING ROLLS
- 3-RING BINDERS
- ROLL LAMINATORS
- VELOBIND SPINES
- PAPER CUTTERS
- PAPER JOGGERS
- LETTER OPENERS
- THERMAL COVERS
- UNIBIND SUPPLIES
- PROCLICK SPINES
- ZIPBIND SPINES
- LINEN COVERS
- SPIRAL COIL
- INDEX TABS

