

# Standard M2 Bookletmaker

## Parts Manual



Provided By

**MyBinding**.com®  
*When Image Matters.*

# PARTS MANUAL

## *Standard Nagel M2 Bookletmaker*

Read this manual, and thoroughly familiarize yourself with its contents before operating or servicing this equipment.



THIS PAGE LEFT BLANK INTENTIONALLY

Fig. 01

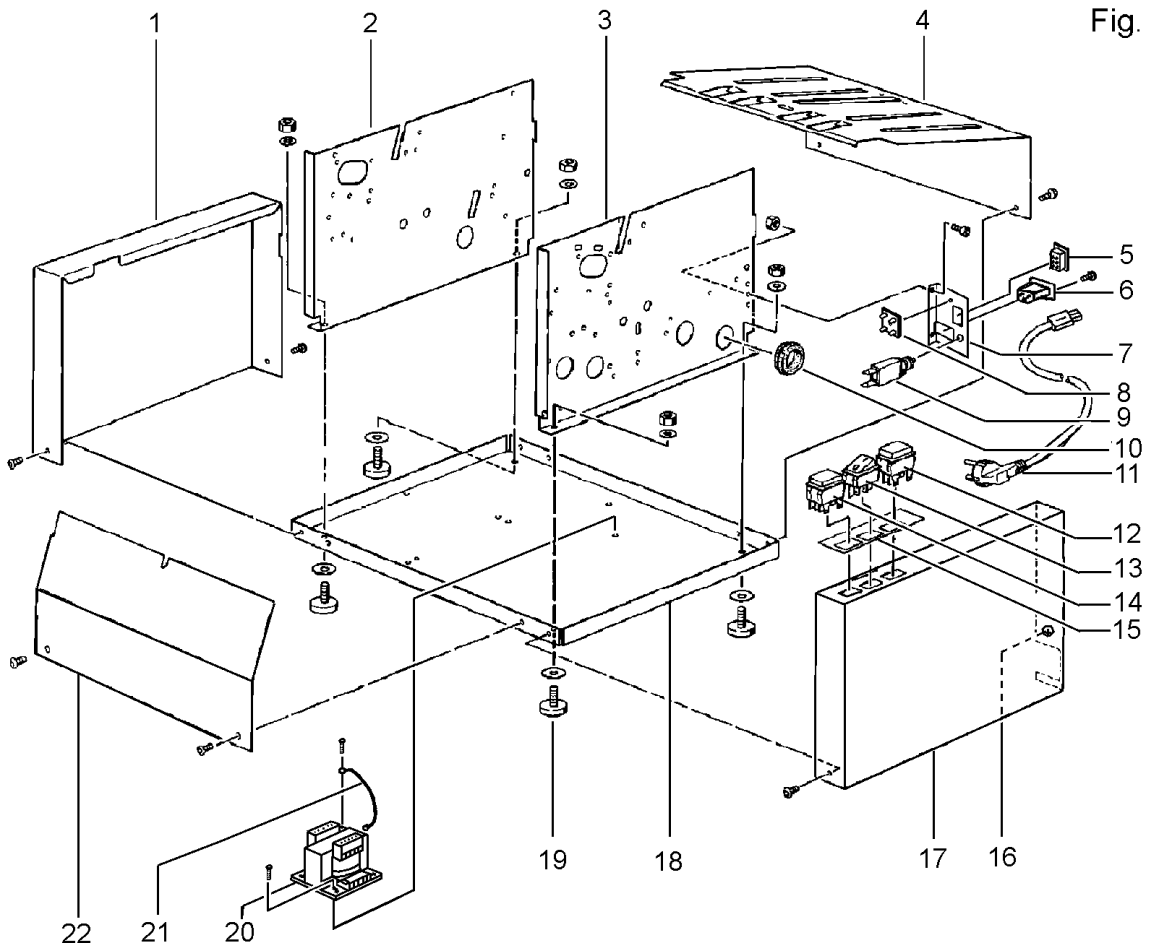


Fig. 01

|    |  |   |
|----|--|---|
| 1  | 2958530<br>2958330<br>2958531            | left cover<br>RAL 7044 left cover<br>RAL 7035 left cover                            |
| 2  | 2958539<br>2958305<br>2958540            | left support plate<br>RAL 7044 left support plate<br>RAL 7035 left support plate    |
| 3  | 2958292<br>2958293<br>2958294            | right support plate<br>RAL 7044 right support plate<br>RAL 7035 right support plate |
| 4  | 2958526<br>2958304<br>2958527<br>2958366 | rear cover<br>RAL 7044 rear cover<br>RAL 7035 rear cover<br>USA rear cover          |
| 5  | 2958282                                  | switch  |
| 6  | 1950850                                  | socket  |
| 7  | 2958459                                  | plate   |
| 8  | 2958271                                  | Rectifier   |
| 9  | 3950470                                  | circuit breaker   |
| 10 | 2955223                                  | cable bushing   |
| 11 | 1950852<br>1950871                       | 230V power cord<br>115V power cord  |
| 12 | 2958258                                  | switch  |
| 13 | 2958265                                  | switch  |
| 14 | 2958258                                  | switch  |
| 15 | 2958383                                  | control panel label   |
| 16 | 9950214                                  | earth sticker   |
| 17 | 2958295<br>2958296<br>2958297            | right cover<br>RAL 7044 right cover<br>RAL 7035 right cover                         |
| 18 | 2958284                                  | base plate  |
| 19 | 1950438                                  | 25 x 6mm buffer   |
| 20 | 2958544                                  | transformer   |
| 21 | 2958283                                  | Wire 150mm  |
| 22 | 2958524<br>2958301<br>2958525            | front cover<br>RAL 7044 front cover<br>RAL 7035 front cover                         |

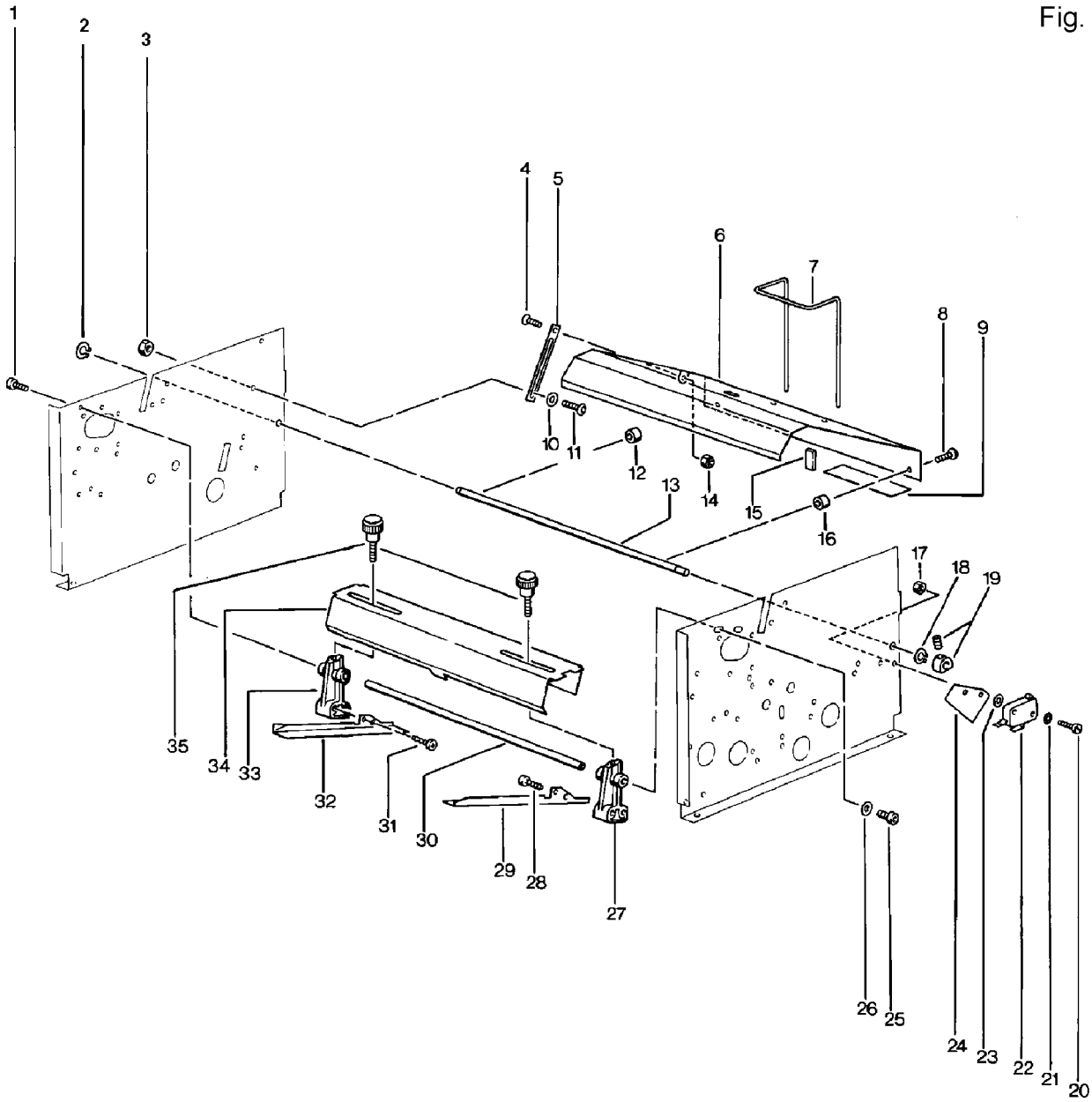


Fig. 02

|    |                               |   |
|----|-------------------------------|---|
| 1  |                               | hex head cap screw                        |
| 2  |                               | washer DIN 471                            |
| 3  |                               | nut DIN 934 M4                            |
| 4  |                               | counter sunk screw DIN 963 M3x8           |
| 5  | 2958364                       | cover stopper                             |
| 6  | 2958534<br>2958363<br>2958535 | cover<br>RAL 7044 cover<br>RAL 7035 cover |
| 7  | 2958382                       | stacker                                   |
| 8  |                               | screw DIN FG M4x12                        |
| 9  | 2958348                       | staple sticker                            |
| 10 |                               | washer DIN 125 4,3                        |
| 11 |                               | screw DIN FG M4x10                        |
| 12 | 2958421                       | spacer                                    |
| 13 | 2958337                       | shaft                                     |
| 14 |                               | nut DIN 985 M3                            |
| 15 | 3950628                       | buffer                                    |
| 16 | 2958421                       | spacer                                    |
| 17 |                               | nut DIN 934 M 3                           |
| 18 |                               | washer DIN 471 8                          |
| 19 | 2958410                       | set collar                                |
| 20 |                               | screw DIN 963 M3x18                       |
| 21 |                               | washer DIN 6798A 3,2                      |
| 22 | 2955273                       | microswitch                               |
| 23 |                               | washer DIN 125 3,2                        |
| 24 | 3950636                       | isolating plate                           |
| 25 |                               | hex head cap screw DIN 912 M 5x10         |
| 26 |                               | washer DIN 125 5,3                        |
| 27 | 2958312                       | bracket                                   |
| 28 | 2958270                       | screw 45" 4x10                            |
| 29 | 2958336                       | right guide                               |
| 30 | 2958338                       | shaft                                     |
| 31 | 2958270                       | screw 45" 4x10                            |
| 32 | 2958335                       | left guide                                |
| 33 | 2958312                       | bracket                                   |
| 34 | 2958307                       | cover                                     |
| 35 | 2958259                       | knob                                      |

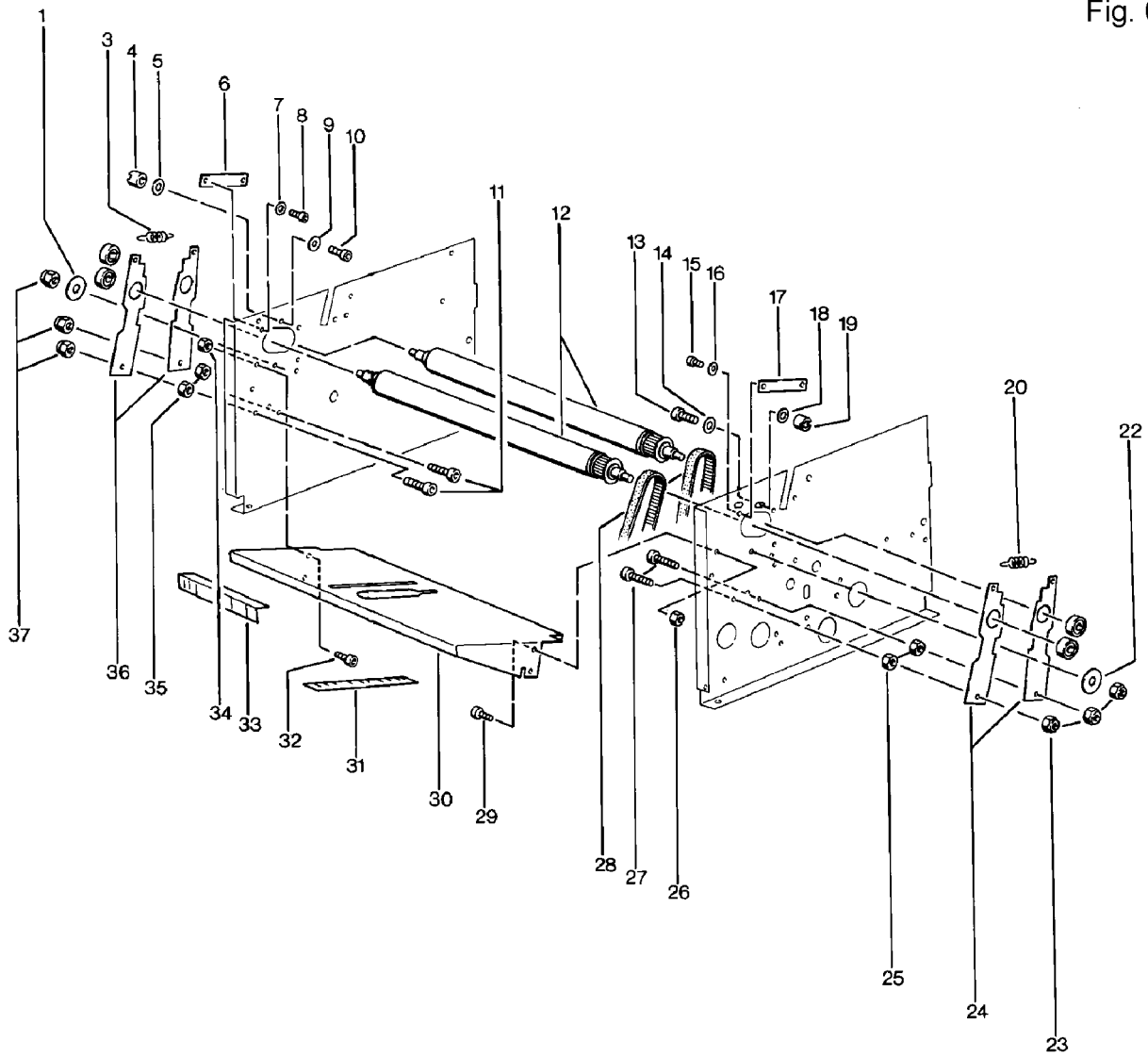


Fig. 03

|    |  |   |
|----|--|---|
| 1  | 9950504                                  | washer  |
| 3  | 2958249                                  | M 4,5mm tension spring                                      |
| 4  | 2958350                                  | bolt  |
| 5  |  | washer DIN 125 6,4  |
| 6  | 2958313                                  | plate   |
| 7  |  | washer DIN 125 4,3  |
| 8  |  | hex head cap screw DIN 912 M 4x6                            |
| 9  |  | washer DIN 125 6,4  |
| 10 |  | hex head cap screw DIN 912 M 6x12                           |
| 11 |  | hex head cap screw DIN 912 M 6x20                           |
| 12 | 2958200                                  | folding roller  |
| 13 |  | hex head cap screw DIN 912 M 6x12                           |
| 14 |  | washer DIN 125 6,4  |
| 15 |  | hex head cap screw DIN 912 M 4x6                            |
| 16 |  | washer DIN 125 4,3  |
| 17 | 2958313                                  | plate   |
| 18 |  | washer DIN 125 6,4  |
| 19 | 2958350                                  | bolt  |
| 20 | 2958249                                  | M 4,5mm tension spring                                      |
| 22 | 9950504                                  | washer  |
| 23 |  | nut DIN 985 M6  |
| 24 | 2958310                                  | plate   |
| 25 |  | nut DIN 934 M 6   |
| 26 |  | nut DIN 934 M 5   |
| 27 |  | hex head cap screw DIN 912 M 6x20                           |
| 28 | 1950600                                  | 160 XL 037 toothed belt                                     |
| 29 |  | hex head cap screw DIN 912 M 5x10                           |
| 30 | 2958379<br>2958542<br>2958303<br>2958536 | table<br>RAL 3000 table<br>RAL 6033 table<br>RAL 7005 table |
| 31 | 2958425                                  | 170x22x05,mm scale  |
| 32 |  | hex head cap screw DIN 912 M 5x10                           |
| 33 | 2958346                                  | 134x22mm scale  |
| 34 |  | nut DIN 934 M 5   |
| 35 |  | nut DIN 934 M 6   |
| 36 | 2958310                                  | plate   |
| 37 |  | nut DIN 985 M6  |

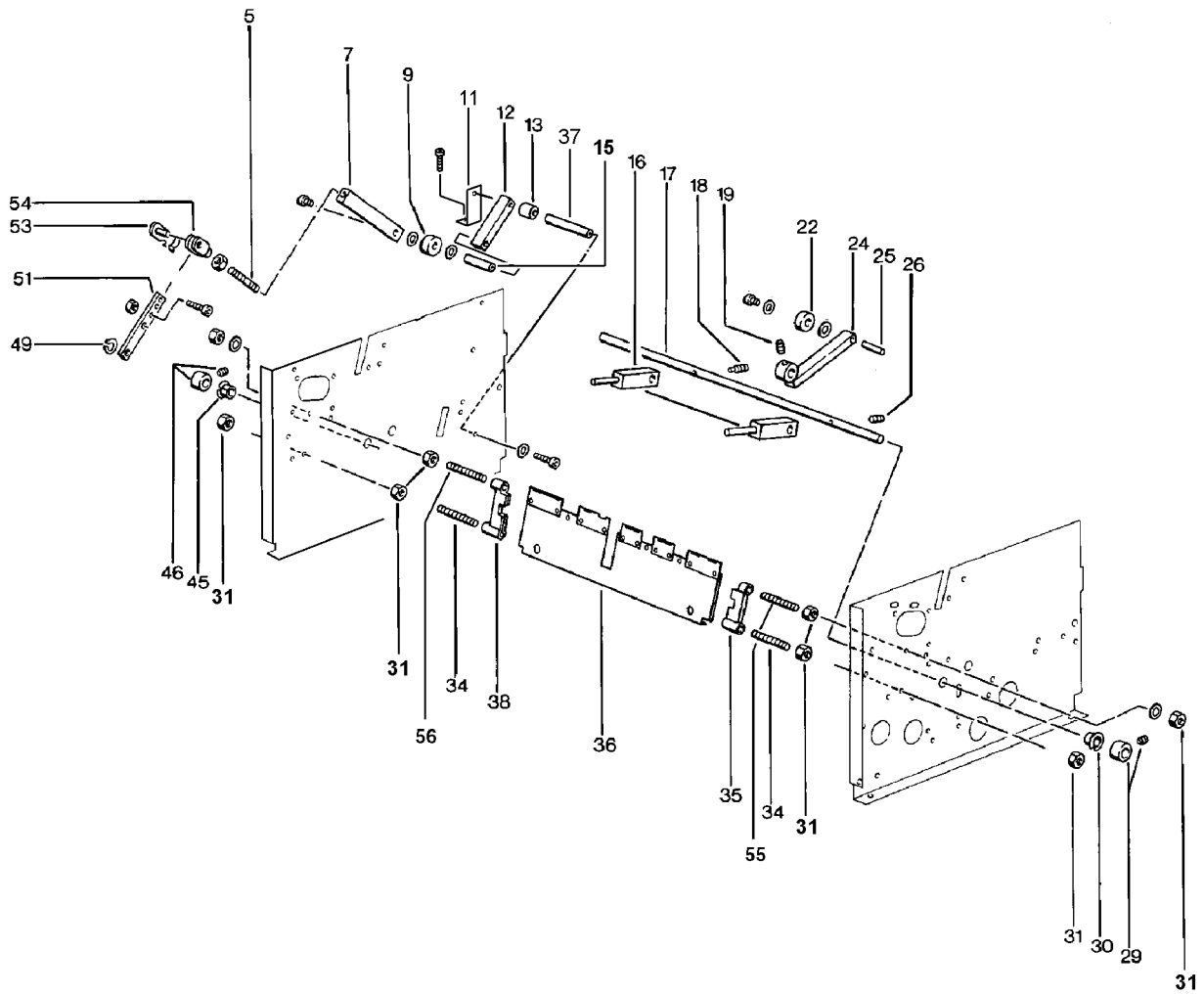


Fig. 04

|    |                    |                                       |
|----|--------------------|---------------------------------------|
| 5  |                    | threaded rod DIN 913 M6x40            |
| 7  | 2958406            | block                                 |
| 9  | 2958362            | roller                                |
| 11 | 2958431            | block                                 |
| 12 | 2958333            | block                                 |
| 13 | 3952011            | spacer                                |
| 15 |                    | pin DIN 7979 6x20                     |
| 16 | 2958327            | lever                                 |
| 17 | 2958352            | shaft                                 |
| 18 |                    | hex head stud DIN 915 M8x16 Tuflok    |
| 19 |                    | hex head stud DIN 438 M 8x12          |
| 22 | 2958362            | roller                                |
| 23 | 2952072            | bushing                               |
| 24 | 2958334            | retainer                              |
| 25 |                    | pin DIN 7979 6x20                     |
| 26 |                    | hex head stud DIN 913 M8x12 Tuflok    |
| 29 | 9950423            | set collar 12mm                       |
| 30 | 3952245            | BB 1209 bushing                       |
| 31 |                    | nut DIN 934 M 6                       |
| 34 |                    | hex head stud DIN 913 M6x60           |
| 35 | 2958328            | Polyamid GF30 guide                   |
| 36 | 2958361<br>2958415 | folding plate<br>USA BT folding plate |
| 37 |                    | pin DIN 7979, 6 x 36                  |
| 38 | 2958328            | Polyamid GF30 guide                   |
| 45 | 3952245            | BB 1209 bushing                       |
| 46 | 9950423            | set collar 12mm                       |
| 49 |                    | washer DIN 471 12                     |
| 51 | 2958386            | plate                                 |
| 53 | 2958251            | bolt                                  |
| 54 | 2958250            | fork DIN 71752 G6x12 M6 RE            |
| 55 |                    | hex head stud DIN 913 M 6x60          |
| 56 |                    | hex head stud DIN 913 M 6x60          |

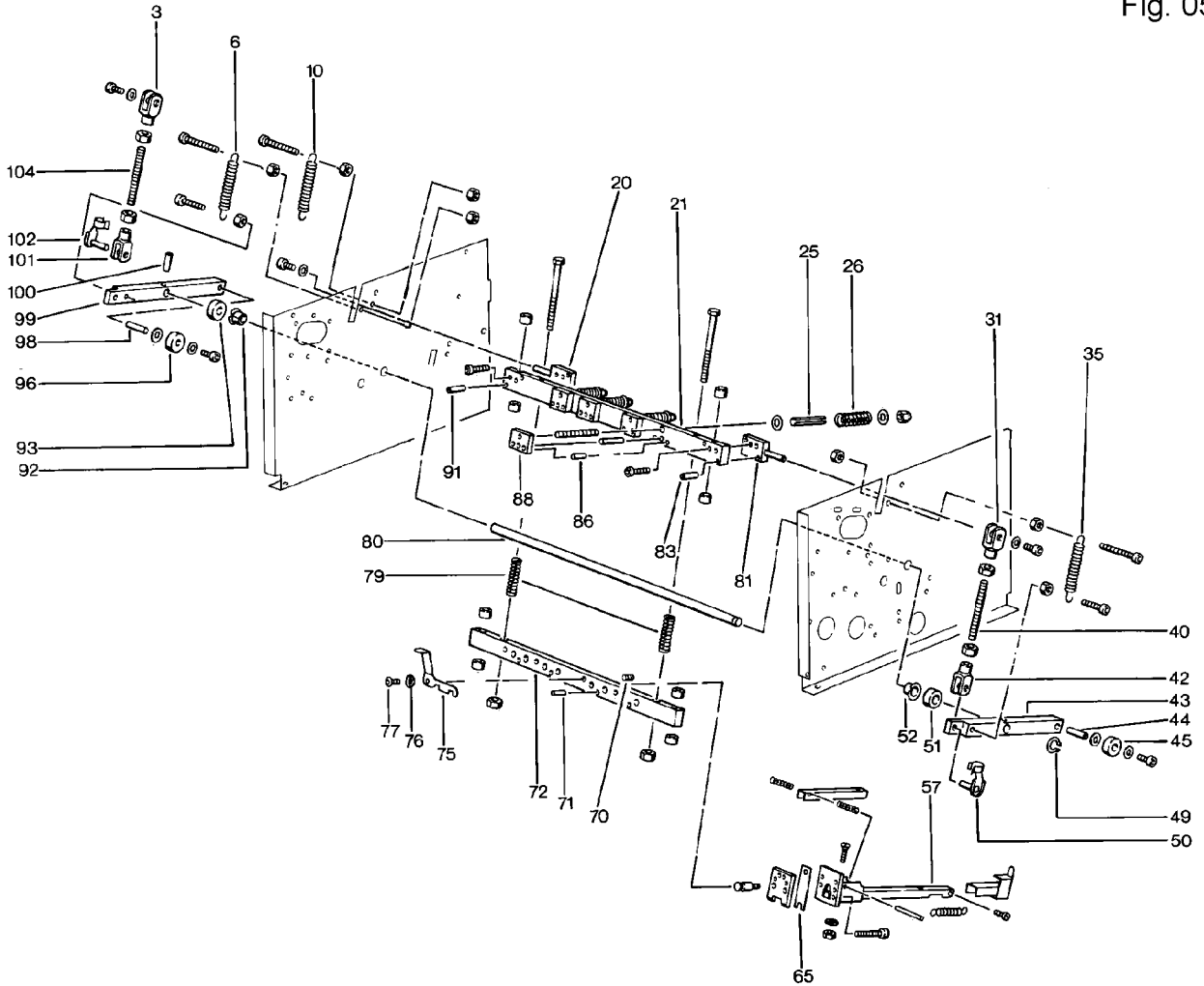


Fig. 05

|     |                    |  |
|-----|--------------------|--|
| 3   | 2958300            | fork DIN 71752 G6x12 M5 RE                       |
| 6   | 2952213            | Z-109G tension spring                            |
| 10  | 2952213            | Z-109G tension spring                            |
| 20  | 2958420            | flange   |
| 21  | 2958345<br>2958314 | BT driver bearer<br>USA BT driver bearer         |
| 25  |                    | stud DIN 7346 7x45                               |
| 26  | 2958239            | pressure spring                                  |
| 31  | 2958300            | fork DIN 71752 G6x12 M5 RE                       |
| 35  | 2952213            | Z-109G tension spring                            |
| 40  | 2958267            | bolt DIN 976 B M6x65                             |
| 42  | 2958300            | fork DIN 71752 G6x12 M5 RE                       |
| 43  | 2958329            | lever  |
| 44  |                    | pin DIN 7979 6x20                                |
| 45  | 2958362            | roller   |
| 46  | 2952072            | bushing  |
| 49  |                    | washer DIN 471 15                                |
| 50  | 2958251            | FKB 6x12 bolt                                    |
| 51  | 2958417            | spacer   |
| 52  | 3952245            | BB 1209 / douille                                |
| 57  | 2958229            | stapling head with driver blade                  |
| 65  | 2958418            | loop driver plate 26                             |
| 70  |                    | hex head stud DIN 913 M 4x6                      |
| 71  |                    | pin DIN 7343 3x14                                |
| 72  | 2958344<br>2958318 | stapling head bearer<br>USA stapling head bearer |
| 75  | 2958401            | latch  |
| 76  |                    | Uwasher DIN 137 B4                               |
| 77  |                    | screw DIN FG M 4x6                               |
| 79  | 2958248            | D-162 pressure spring                            |
| 80  | 2958376            | shaft  |
| 81  | 2958420            | flange   |
| 83  |                    | pin /DIN 7343 3x14                               |
| 86  |                    | pin DIN 6325 3x12                                |
| 88  | 2958315            | driver hinge assembly                            |
| 91  |                    | pin DIN 7343 3x14                                |
| 92  | 3952245            | BB 1209 bushing                                  |
| 93  | 2958417            | spacer   |
| 96  | 2958362            | roller   |
| 97  | 2952072            | bushing  |
| 98  |                    | pin DIN 7979 6x20                                |
| 99  | 2958329            | lever  |
| 100 |                    | pin DIN 7343 4x16                                |
| 101 | 2958300            | fork DIN 71752 G6x12 M6RE                        |
| 102 | 2958251            | FKB 6x12 / bolt                                  |
| 104 | 2958267            | bolt DIN 976/B M6x65                             |

Fig. 06

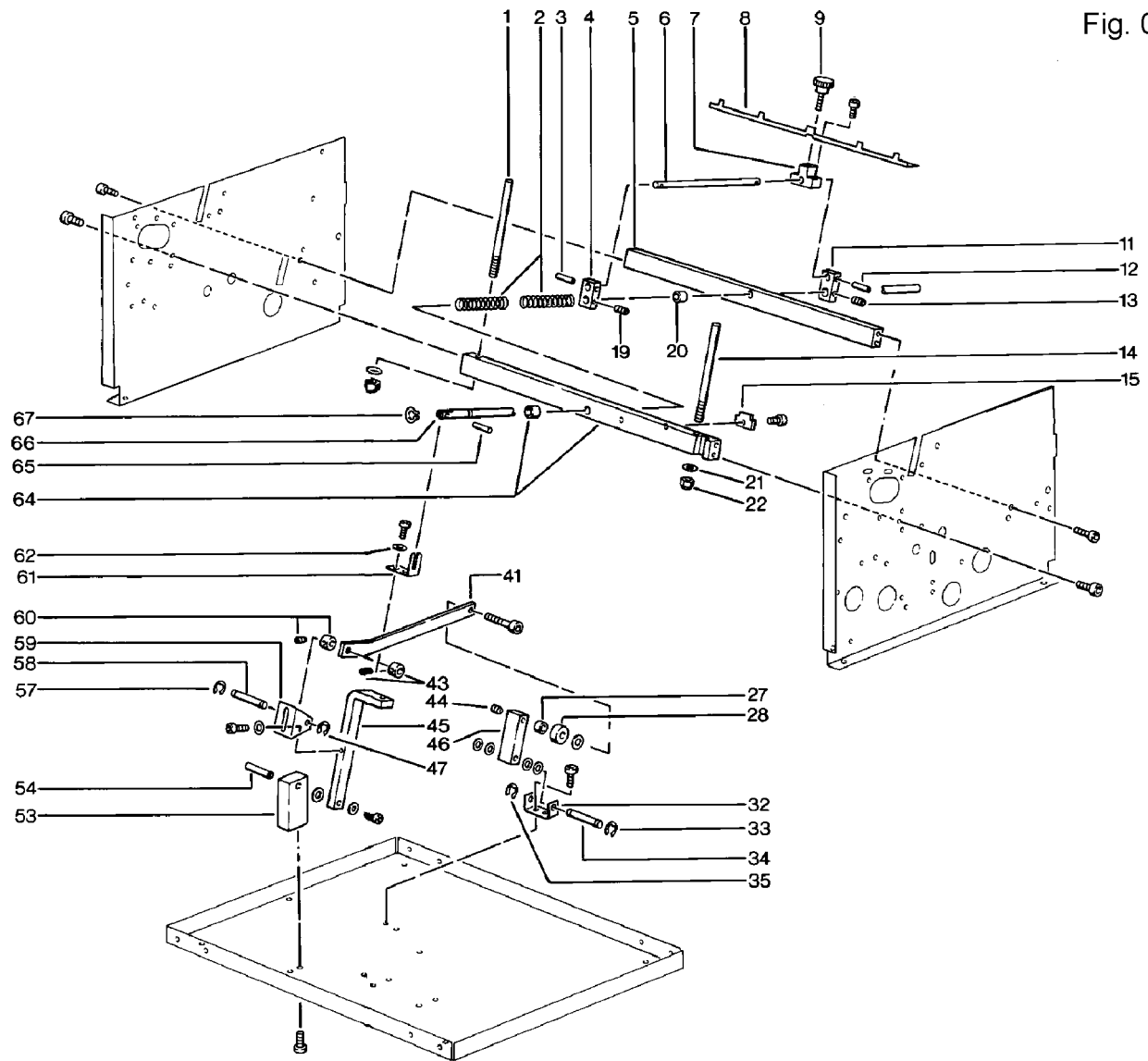


Fig. 06

|    |         |                             |
|----|---------|-----------------------------|
| 1  | 2958206 | shaft                       |
| 2  | 2958269 | spring                      |
| 3  |         | pin DIN 7343 2,5x10         |
| 4  | 2958320 | block                       |
| 5  | 2958210 | bar                         |
| 6  | 2958351 | shaft                       |
| 7  | 2958319 | block                       |
| 8  | 2958367 | back stop plate             |
| 9  | 9950488 | M5x15 knurled screw         |
| 11 | 2958320 | block                       |
| 12 |         | pin DIN 7343 2,5x10         |
| 13 |         | hex head stud DIN 913 M 4x6 |
| 14 | 2958206 | shaft                       |
| 15 | 2958419 | anvil                       |
| 19 |         | hex head stud DIN 913 M 4x6 |
| 27 | 3912735 | spacer                      |
| 28 | 2958362 | roller                      |
| 29 | 2952072 | bushing                     |
| 32 | 2958375 | bracket                     |
| 33 |         | washer DIN 6799 4           |
| 34 | 2955082 | pin                         |
| 35 |         | washer DIN 6799 4           |
| 40 |         | counter sunk screw 963 M3x4 |
| 41 | 2958321 | lever                       |
| 43 | 9950435 | set collar 5mm              |
| 44 |         | hex head stud DIN 913 M 6x8 |
| 45 | 2958347 | lever                       |
| 46 | 2958323 | block                       |
| 47 |         | washer DIN 6799 4           |
| 53 | 2958357 | block                       |
| 54 |         | pin DIN 7979 6x28           |
| 57 |         | washer DIN 6799 4           |
| 58 | 2955082 | pin                         |
| 59 | 2958373 | bracket                     |
| 60 | 9950435 | set collar 5mm              |
| 61 | 2958374 | bracket                     |
| 62 |         | Fwasher DIN 6798A 4,3       |
| 64 | 2958343 | anvil bearer                |
| 65 |         | pin DIN7343 3x10            |
| 66 | 2958332 | lever                       |
| 67 |         | washer DIN 471 8            |

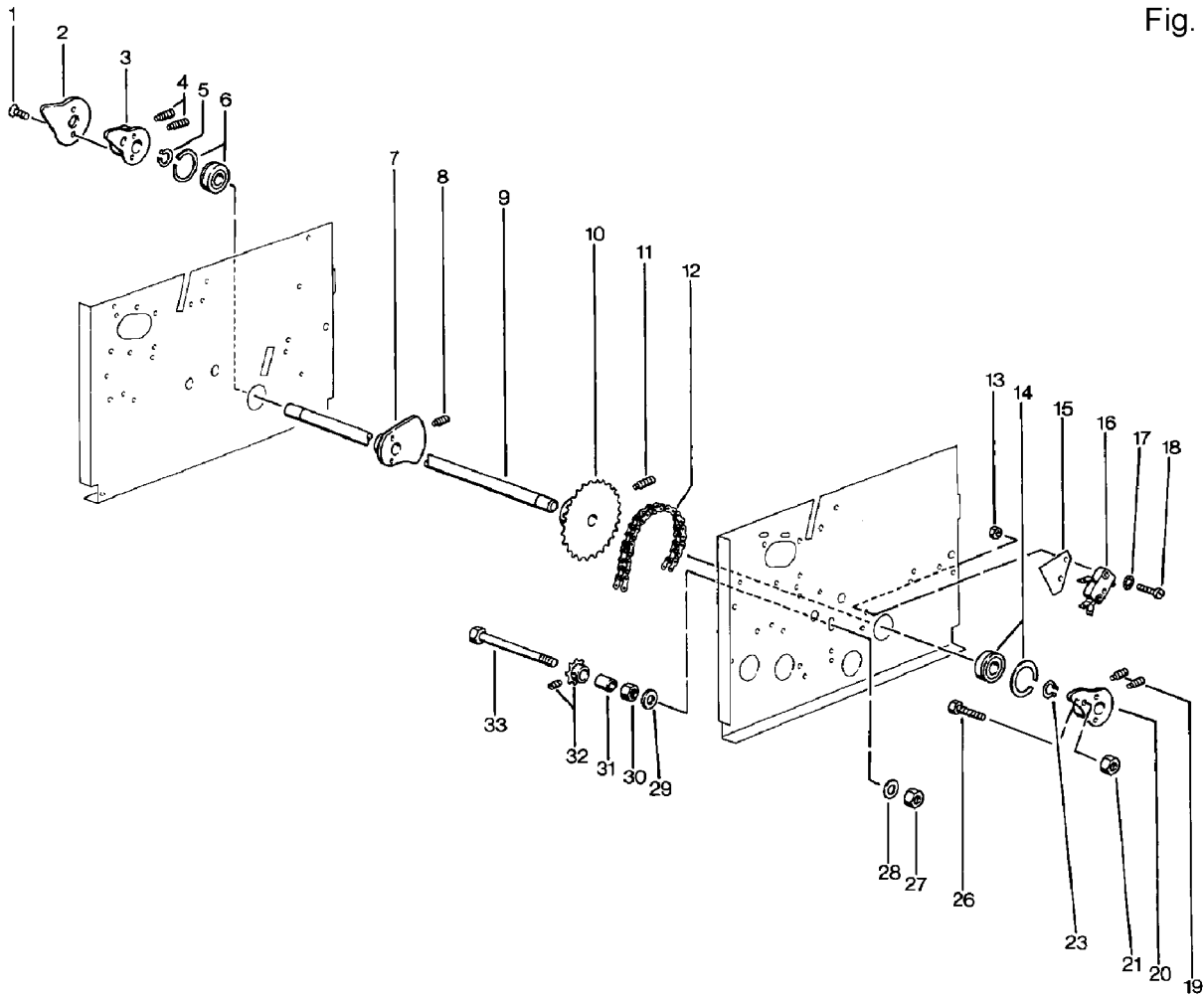


Fig. 07

|    |                    |                                    |
|----|--------------------|------------------------------------|
| 1  |                    | counter sunk screw DIN 7991 M5x10  |
| 2  | 2958262            | folding plate cam                  |
| 3  | 2958385            | stapling cam                       |
| 4  |                    | hex head stud DIN 915 M6x12        |
| 5  |                    | washer DIN 471 15                  |
| 6  | 9950267            | 6202 NR ZZ bearing                 |
| 7  | 2958286            | paper transport cam                |
| 8  |                    | hex head stud DIN 915 M6x10 Tuflok |
| 9  | 2958381            | shaft                              |
| 10 | 2958372            | 6mm chain wheel                    |
| 11 |                    | hex head stud DIN 915 M6x16 Tuflok |
| 12 | 2958244<br>2958246 | chain DIN 8187<br>chain lock       |
| 13 |                    | nut DIN 934 M 3                    |
| 14 | 9950267            | 6202 NR ZZ bearing                 |
| 15 | 3950636            | isolating plate                    |
| 16 | 3950465            | G/VCF9 micro switch                |
| 17 |                    | washer DIN 6798A 3,2               |
| 18 |                    | screw DIN 84 M3x16                 |
| 19 |                    | hex head stud DIN 915 M6x12        |
| 20 | 2958385            | stapling cam                       |
| 21 |                    | nut DIN 934 M6                     |
| 23 |                    | washer DIN 471 15                  |
| 26 |                    | bolt DIN 912 M6x30                 |
| 27 |                    | nut DIN 934 M 8                    |
| 28 |                    | washer DIN 125 8,4                 |
| 29 |                    | washer DIN 125 8,4                 |
| 30 |                    | nut DIN 934 M 8                    |
| 31 | 3952429            | DDU 0812 / bushing                 |
| 32 | 2958371            | 6mm chain wheel                    |
| 33 |                    | bolt DIN 931 M8x100                |

Fig. 08

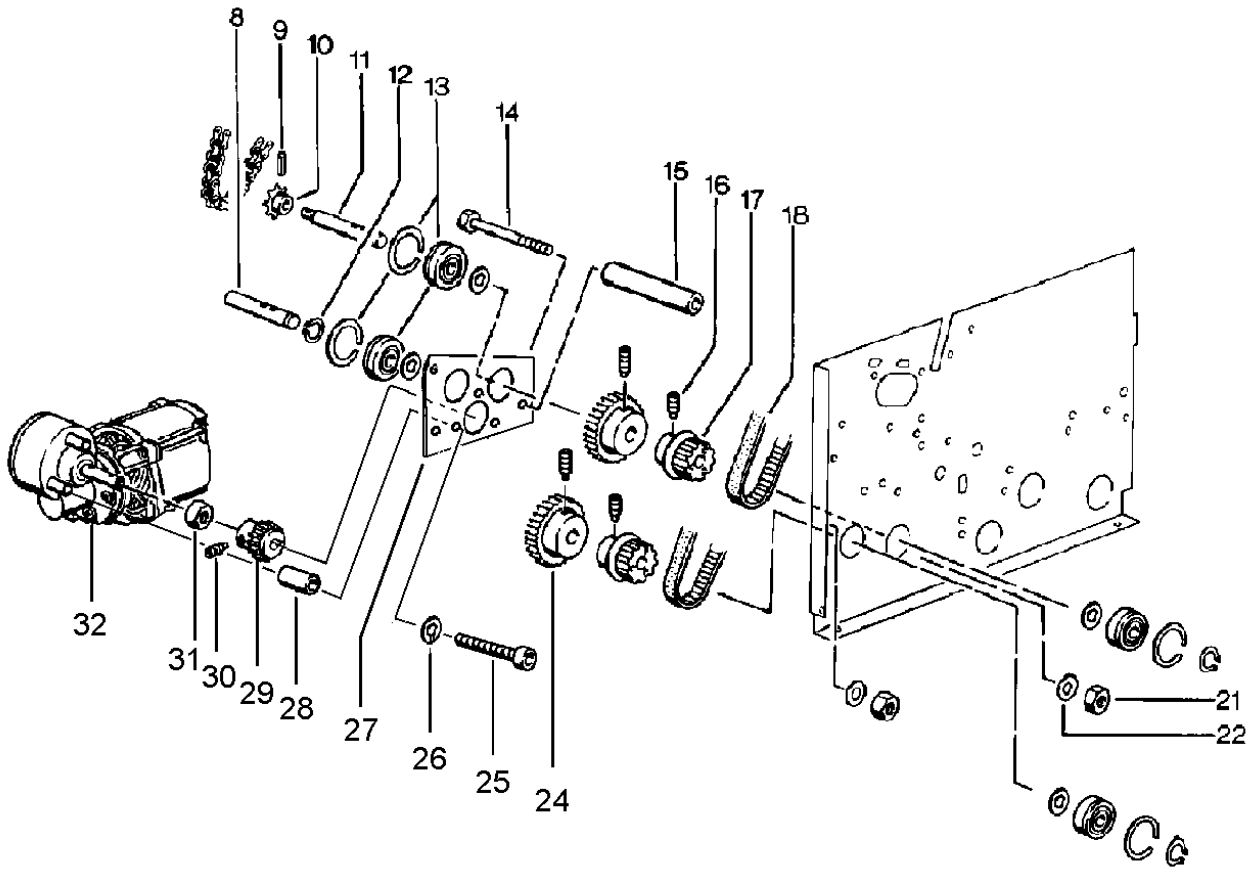


Fig. 08

|    |         |                             |
|----|---------|-----------------------------|
| 8  | 2958354 | shaft                       |
| 9  |         | pin DIN 7343 3x18           |
| 10 | 2958371 | 6mm chain wheel             |
| 11 | 2958355 | shaft                       |
| 12 |         | washer DIN 471 12           |
| 13 | 9950307 | 6201 NR ZZ bearing          |
| 14 |         | bolt                        |
| 15 | 2958397 | spacer                      |
| 16 |         | hex head stud DIN 915 M6x12 |
| 17 | 2958377 | 12 H8 pulley                |
| 18 | 1950600 | 160 XL 037 toothed belt     |
| 21 |         | nut DIN 934 M 8             |
| 22 |         | washer DIN 125 8,4          |
| 24 | 2952015 | gear                        |
| 25 |         | bolt /DIN 912, M6x30        |
| 26 |         | washer DIN 127, 6           |
| 27 | 2958368 | bearing plate               |
| 28 | 3912702 | spacer                      |
| 29 | 2957461 | Z30 gear                    |
| 30 |         | hex head stud DIN 915 M5x8  |
| 31 |         | Stellring 10 DIN 705, 10    |
| 32 | 2940500 | motor                       |

THIS PAGE LEFT BLANK INTENTIONALLY



M2/PM (Rev. 1.3)  
Revised 01/2001

*Standard Business Systems*  
10 Connector Road, Andover, MA 01810  
(978) 470-1920 (978) 470-2771



# We Have it All...



# MyBinding.com

*When Image Matters.*

**Guaranteed Lowest Prices** on an  
Endless Selection of Binding Systems, Laminators,  
Paper Shredders, Supplies and Accessories.

**We have you covered** with Expert Advice  
and Support. Our popular blog keeps you up to  
date on the latest tips and techniques to make  
your most important binding and laminating  
tasks a success.

**Call Us Today**

**1-800-944-4573**

## Our Trusted Partners

GBC / Ibico

Fellowes

Powis Fastback

Unibind

Akiles

Renz

Tamerica

Rhin-O-Tuff

DFG

Pro-Bind

Martin Yale

MBM

Formax

Intimus

Dahle

HSM

Standard

Xyron

Challenge

Lasko-Wizer

GBC Shredmaster

Avery

Wilson Jones

Cardinal

Samsill

Universal



- BINDING MACHINES
- BINDING SUPPLIES
- LAMINATORS
- I.D. ACCESSORIES
- BOARDS & EASELS
- PAPER SHREDDERS
- XYRON LAMINATORS
- COIL BINDING MACHINES
- UNIBIND BINDING MACHINES
- FASTBACK BINDING EQUIPMENT
- PAPER FOLDING MACHINES
- LAMINATING POUCHES
- ROTARY TRIMMERS
- CLEAR COVERS
- TWIN LOOP WIRE
- REGENCY COVERS
- PLASTIC BINDING COVERS
- VELOBIND BINDING MACHINES
- PAPER HANDLING EQUIPMENT
- THERMAL BINDING MACHINES
- PROCLICK BINDING SYSTEMS
- COMB BINDING MACHINES
- COMB BINDING SUPPLIES
- WIRE BINDING MACHINES
- POUCH LAMINATORS
- LAMINATING ROLLS
- 3-RING BINDERS
- ROLL LAMINATORS
- VELOBIND SPINES
- PAPER CUTTERS
- PAPER JOGGERS
- LETTER OPENERS
- THERMAL COVERS
- UNIBIND SUPPLIES
- PROCLICK SPINES
- ZIPBIND SPINES
- LINEN COVERS
- SPIRAL COIL
- INDEX TABS