

# Standard PC-45 Paper Cutter

## Instruction Manual



Provided By

**MyBinding**.com®  
*When Image Matters.*

# PC-45

Paper Cutter



**MyBinding.com**  
*When Image Matters.*

**Horizon**  
PAPER CUTTER

**PC-45**

## Important Information

- This manual is designed to help you to install, operate and maintain Paper Cutter, PC-45. Read, understand and keep this manual in a safe and convenient place.
- Do not operate PC-45 until you read and understand the instructions in this manual.
- Horizon International Inc. shall not be liable for incidental consequential damages resulting from : improper or inadequate maintenance by customer; unauthorized modification or misuse; operation outside of the environmental specifications for the product.
- Horizon International Inc. pursues a policy of continuing improvement in design and performance of the product. Therefore, the product design and specifications are subject to change without prior notice and without our legal obligation.
- All rights are reserved. No part of the manual may be photocopied, reproduced or translated to another language without the prior written consent of Horizon International Inc.

## Safety Precautions

- The signal word **WARNING** indicates a potentially hazardous situation which, if not avoided, could result in death or serious injury.
- The signal word **CAUTION** indicates a potentially hazardous situation which, if not avoided, may result in damage on machines. It may also be used to alert against unsafe practices.
- Read and understand all safety instructions with signal word such as **WARNING** and **CAUTION**. If safety instructions are ignored, personal injury may result.
- Horizon International Inc. cannot anticipate every possible situation that might involve a potential hazard. The instructions in this manual and warning labels on the machine are therefore not all inclusive.
- All equipment shall be locked out or tagged out to protect against accidental or inadvertent operation when such operation could cause injury to personnel. Do not attempt to operate any switch, valve, or other energy isolating device where it is locked or tagged out.
- Do not operate the machines when any covers are removed.
- Some of the drawings in this manual show the machine uncovered for explaining the detail or inside of machine.

# **CONTENTS**

<b>Important Information .....</b>	<b>I</b>
<b>Safety Precautions .....</b>	<b>II</b>

## **1. Before You Begin**

---

<b>1-1 Purpose of PC-45 .....</b>	<b>2</b>
<b>1-2 Specifications .....</b>	<b>2</b>
<b>1-3 Machine Descriptions .....</b>	<b>3</b>
1-3-1 Safety Functions .....	3
1-3-2 Main Parts Descriptions .....	4
<b>1-4 Accessories .....</b>	<b>5</b>
<b>1-5 Consumables .....</b>	<b>6</b>

## **2. Safety Function Check**

---

<b>2-1 Check on Table .....</b>	<b>8</b>
<b>2-2 Check on Power .....</b>	<b>8</b>
<b>2-3 Check on Safe Functions .....</b>	<b>9</b>
2-3-1 Check on Standby Button .....	9
2-3-2 Check on Front Cover .....	9
2-3-3 Check on Automatic Return of Knife .....	10
2-3-4 Check on One Cycle .....	10
2-3-5 Check on Unworkable Knife with One Hand .....	11
2-3-6 Check on Stop during Working .....	11

## **3. Operation Procedure**

---

<b>3-1 Operation Procedure .....</b>	<b>14</b>
--------------------------------------	-----------

## **4. After Cutting**

---

<b>4-1 Original Condition .....</b>	<b>18</b>
<b>4-2 Power off .....</b>	<b>18</b>
<b>4-3 Cleaning Table .....</b>	<b>19</b>

## **5. Troubleshooting**

---

<b>5-1 Cut Sheets Are Not Square .....</b>	<b>22</b>
<b>5-2 Cut Surface Has Diagonal Lines .....</b>	<b>23</b>
<b>5-3 Sheets Are Not Cut Equally .....</b>	<b>23</b>
<b>5-4 Sheets Are Not Cut Even After the Power Is Turned On .....</b>	<b>24</b>

## **6. Maintenance**

---

<b>6-1 Cutting Stick Replacement .....</b>	<b>26</b>
<b>6-2 Knife Replacement .....</b>	<b>28</b>
6-2-1 Knife Removal .....	28
6-2-2 Knife Installation .....	31
<b>6-3 Knife Height Adjustment .....</b>	<b>34</b>
6-3-1 Cutting Depth Adjustment .....	34
<b>6-4 Cutting Depth Balance Adjustment .....</b>	<b>35</b>
<b>6-5 Test Cutting .....</b>	<b>36</b>
<b>6-6 Lubrication (Monthly) .....</b>	<b>37</b>

## **7. Installation**

---

<b>7-1 Installation .....</b>	<b>40</b>
-------------------------------	-----------

# 1. Before You Begin

<b>1-1 Purpose of PC-45 .....</b>	<b>2</b>
<b>1-2 Specifications .....</b>	<b>2</b>
<b>1-3 Machine Descriptions .....</b>	<b>3</b>
<b>1-4 Accessories .....</b>	<b>5</b>
<b>1-5 Consumables .....</b>	<b>6</b>

## 1-1 Purpose of PC-45

---

Horizon PC-45 is a machine for cutting printed sheets, wrapping paper, writing paper, or booklets.

---

## 1-2 Specifications

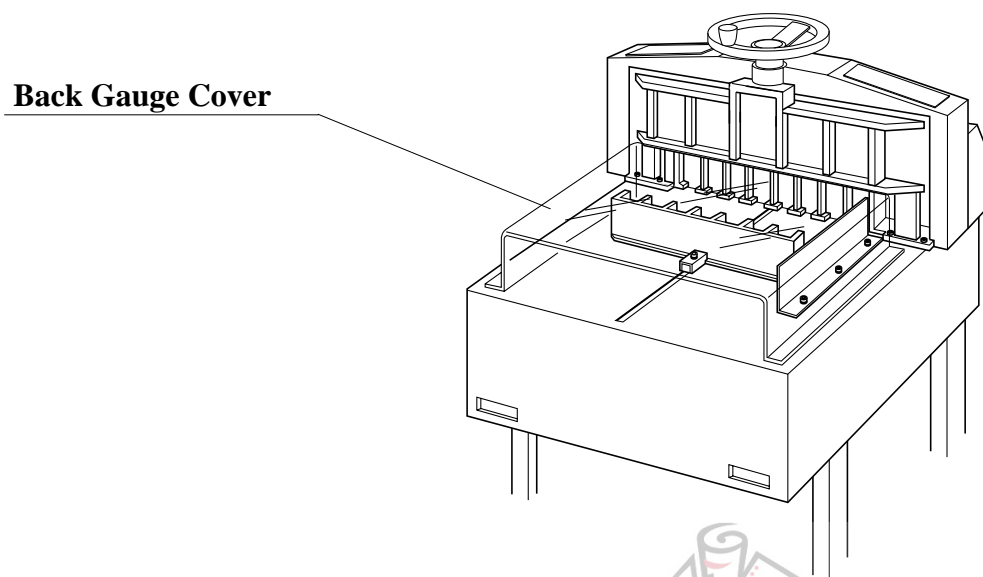
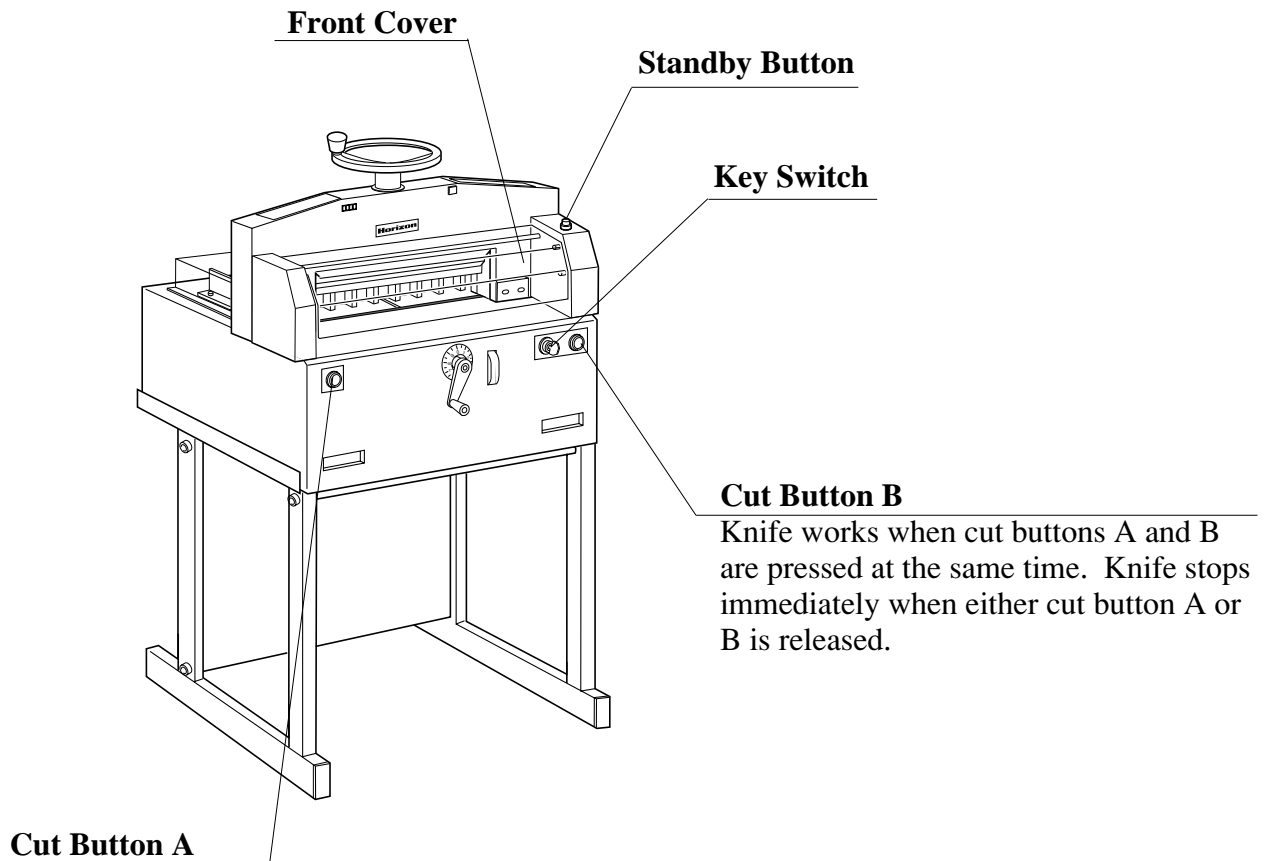
---

Model	PC-45
Maximum Cutting Width	446 mm (17.5")
Maximum Lift Height	(Clamp Opening) 70 mm (2.7")
Maximum Cutting Depth	450 mm (17.7")
Minimum Cutting Depth	20 mm (0.8")
Cutting Speed	2.5 sec./cut
Power	120 V 60 Hz 13 A, 220 V 50/60 Hz 4.0 A, 240 V 50 Hz 2.3 A
Power Consumption	1.1 kW
Machine Dimensions (L) x (W) x (H)	790 x 805 x 1,170 mm (31.1" x 31.7" x 46")
Height from the floor level to table top	880 mm (34.6")
Machine Weight	158 kg (348 lb)

The machine design and specifications are subject to change without any notice.

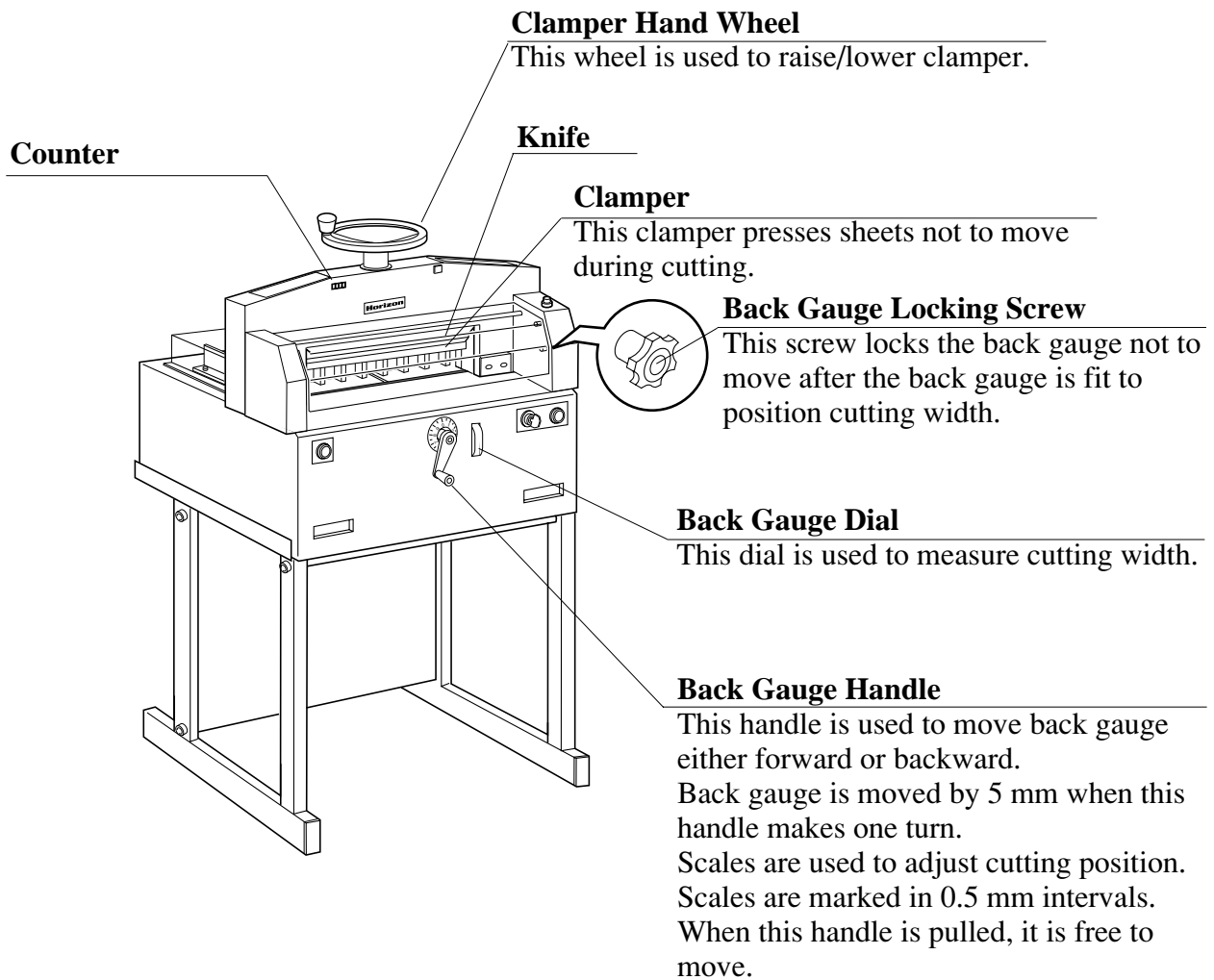
## 1-3 Machine Descriptions

### 1-3-1 Safety Functions



## 1-3 Machine Descriptions

### 1-3-2 Main Parts Descriptions

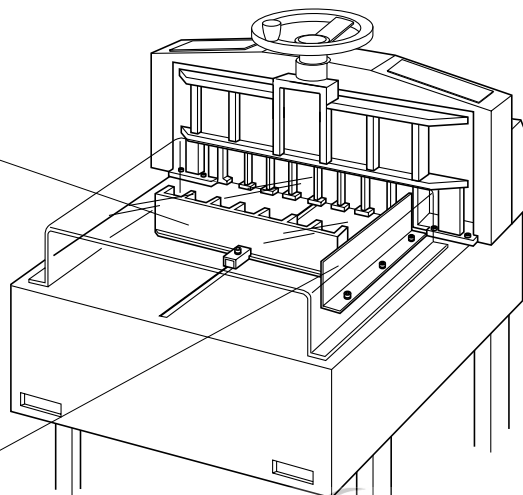


#### Back Gauge

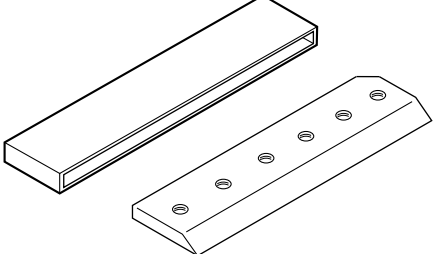
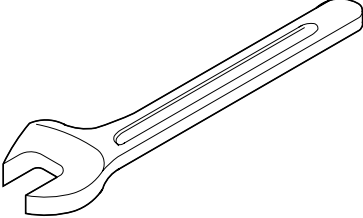
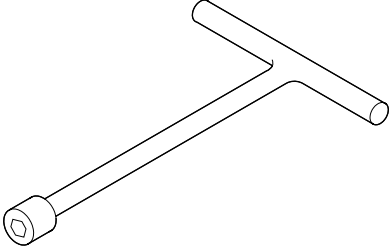
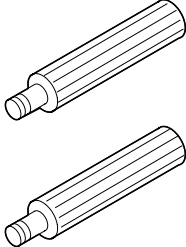
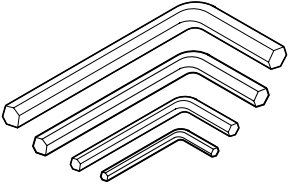
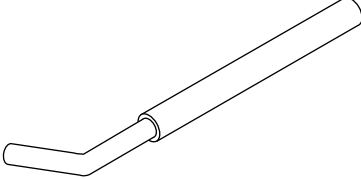
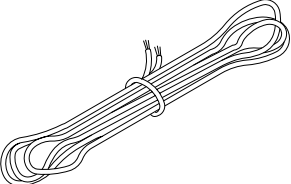
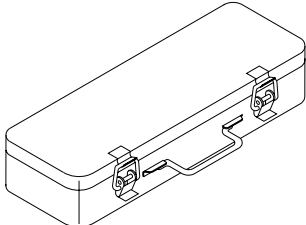
This gauge is used to position cutting width.

#### Side Gauge and Back Gauge Scale

This gauge is used to square-up both sides of sheets.



## 1-4 Accessories

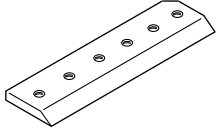
<p>Spare Knife and Knife Case</p>	<p>1 pc</p>	<p>Spanner 30 mm</p>	<p>1 pc</p>
			
<p>Box Wrench</p>	<p>1 pc</p>	<p>Knife Holder</p>	<p>2 pcs</p>
			
<p>Allen Wrench 3mm, 4 mm, 6mm, 8mm</p>	<p>1 pc each</p>	<p>Adjust Bar</p>	<p>1 pc</p>
			
<p>Ground Wire</p>	<p>1 pc</p>	<p>Tool Box</p>	<p>1 pc</p>
			

---

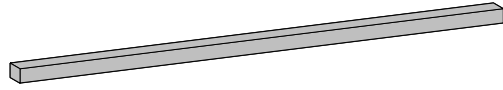
## 1-5 Consumables

---

Spare Knife C-45



Cutting Stick (M007407-02)



# 2. Safety Function Check

- 2-1 Check on Table ..... 8
- 2-2 Check on Power ..... 8
- 2-3 Check on Safe Functions ..... 9



## 2. Safety Function Check

---

### 2-1 Check on Table

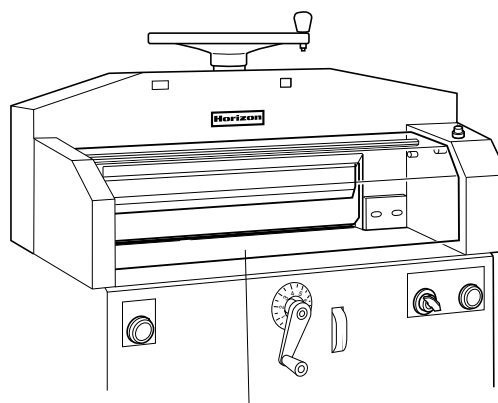
---

*Table must be clean.*

1. Check that trimmings, adhesive, or grease is not on table.

**NOTE**

- Clean table referring to "4-3 Cleaning table" if table is dirt.



Table

---

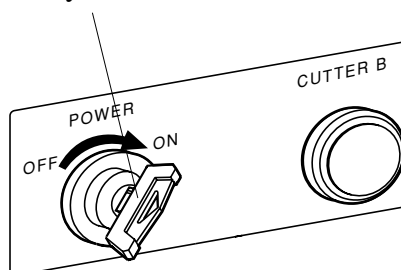
### 2-2 Check on Power

---

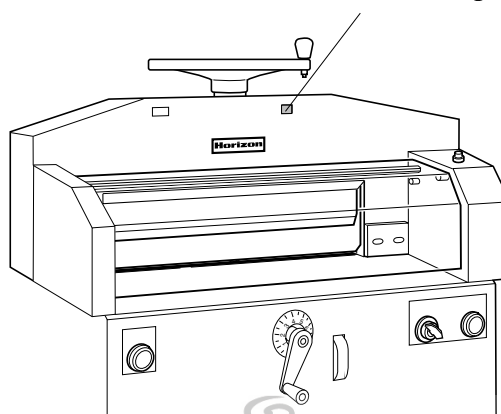
*Check that power turns on.*

1. Insert key into power switch and turn key clockwise to switch on power.  
- Power pilot lamp will illuminate.

Key Switch



Power Pilot Lamp



## 2-3 Check on Safe Functions

### **WARNING**

- Do not put your hands under knife while power is on.
- Assign only "ONE" operator to operate PC-45.

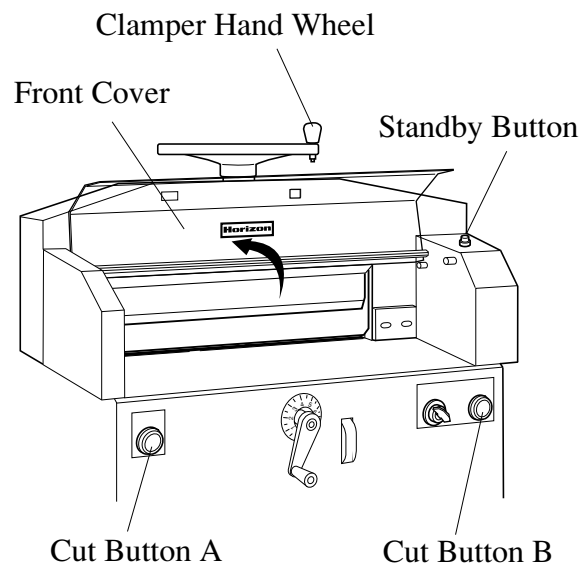
*If your PC-45 do not work as shown in this book, ask your local dealer to fix the PC-45.*

### 2-3-1 Check on Standby Button

*Check that knife work only when Standby button is pressed.*

*Check that the lamp on Standby button is turned off.*

1. Lower clamber to the bottom with clamber hand wheel.
2. Check that knife does not work in spite of pressing cut buttons A and B at the same time.
3. Press the Standby button.
  - Check that the Standby button lights.



### 2-3-2 Check on Front Cover

*Check that knife do not work while front cover is open.*

1. Lower clamber to the bottom with clamber hand wheel.
2. Open front cover.
3. Check that knife does not work in spite of pressing cut buttons A and B at the same time.
4. Close front cover.

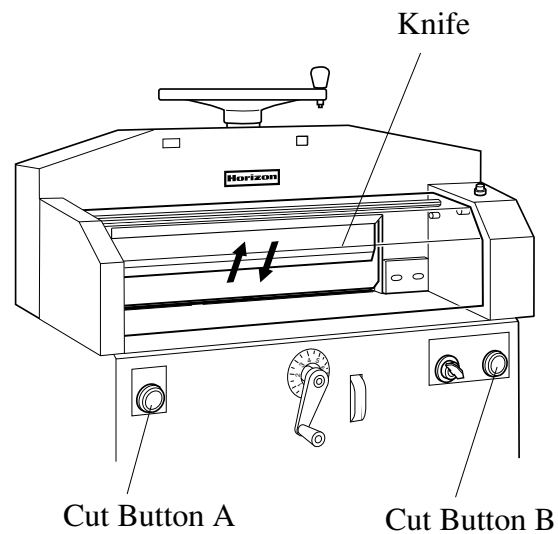
## 2-3 Check on Safe Functions

---

### 2-3-3 Check on Automatic Return of Knife

*Check that knife at bottom position returns to home position automatically and then stops.*

1. Press cut buttons A and B at the same time.
  2. Release your hands from cut buttons when knife is on the way to home position.
- Check that knife returns to home position without stopping and then stops at home position.



### 2-3-4 Check on One Cycle

*Check that knife remains stationary if cut buttons are continued to press after knife returns to home position.*

1. Continue pressing to cut buttons about 5 seconds after knife returns to home position. Check that knife does not work again.

*Next, check that knife remains stationary unless both hands are released from cut buttons.*

2. Release your hand from cut button B with cut button A pressed.
3. Press cut button B again. Check that knife does not work.

## 2-3 Check on Safe Functions

### 2-3-5 Check on Unworkable Knife with One Hand

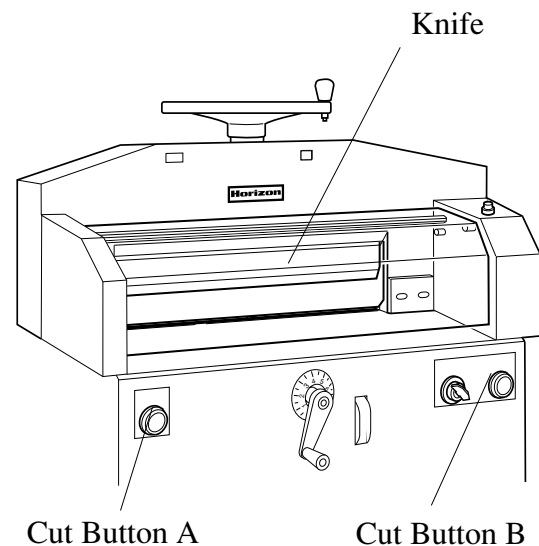
*Check that knife work only when both cut buttons A and B are pressed at the same time.*

1. Check that knife does not work by pressing only cut button A.
2. Check that knife does not work by pressing cut button B with cut button A pressed.

#### NOTE

*- Knife works only when both cut buttons A and B are pressed at the same time (within 5 seconds).*

3. Release your hands from cut buttons.
4. Check that knife does not work by repeating procedure 1 to 3, exchanging A with B.



### 2-3-6 Check on Stop during Working

#### **WARNING**

*- Do not raise clamber when knife is stopped during cutting. Otherwise knife gets bare and, as a result, your fingers might be cut with knife.*

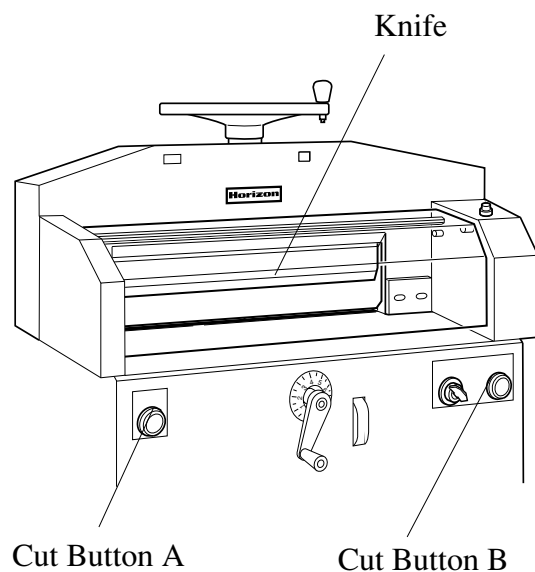
*Check that knife is stopped when you release your hand from even one cut button during lowering knife.*

1. Check that knife is stopped immediately when you release your hand from cut button A while knife is lowering after you press cut button A and B at the same time.
2. Release your hands from cut buttons.
3. Press cut button A and B separately with the interval of 0.5 seconds or more to return the knife to the home position.

#### NOTE

*- Knife can return to home position by pressing cut button A and B separately with the interval of 0.5 seconds or more when knife is stopped on the way to bottom.*

4. Repeat procedure 1, exchanging A with B.



## 2. Safety Function Check

# 3. Operation Procedure

3-1 Operation Procedure ..... 14



## 3-1 Operation Procedure

*This section shows how to operate PC-45.*

### **⚠ WARNING**

- *Do not put your hands under knife while power is on.*
- *Assign only "ONE" operator to operate PC-45.*
- *It is dangerous to remain knife on half position for fear of cutting hands or fingers. Make sure to return knife to home position.*

### **⚠ CAUTION**

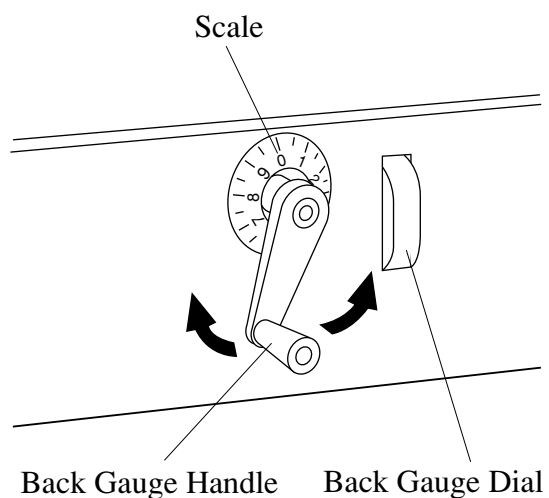
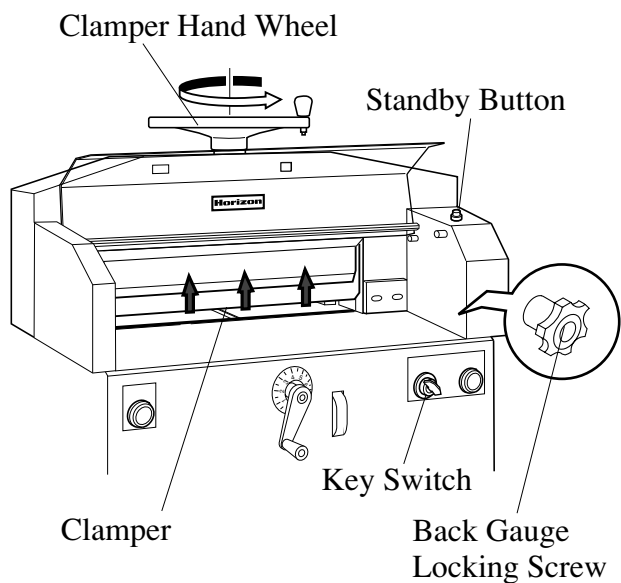
- *Cut only paper sheets. Otherwise PC-45 may be broken.*

1. Turn on power with key switch.
2. Press the Standby button.
  - Check that the Standby button lights.
3. Turn clamber hand wheel counterclockwise to raise clamber.
4. Loosen the back gauge locking screw.
5. Adjust back gauge according to cutting with back gauge handle.

### **NOTE**

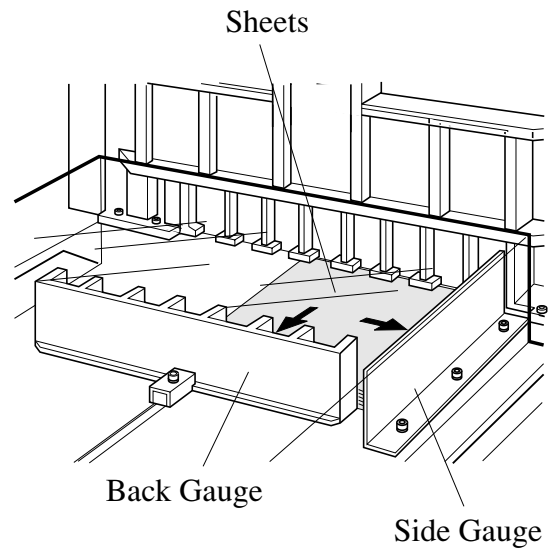
- *Move back gauge from rear side to front side. Otherwise, it errs in cutting width.*
- *Cutting line helps to see cutting position. Cutting line is the beam that is reflected on sheets.*

6. Tighten the back gauge locking screw.



## 3-1 Operation Procedure

7. Open front cover and pile sheets on table.
8. Square-up sheets with back gauge and side gauge.



9. Turn clamber hand wheel, and clamber will press sheets to fix them.

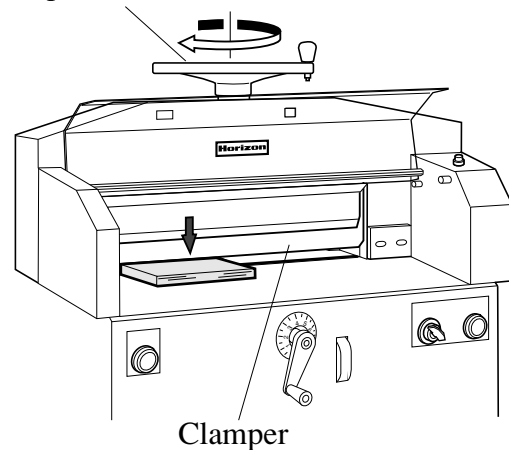
### NOTE

- Be careful not to shift sheets when fixing sheets.

10. Close front cover.

11. Continue to press cut button A and B at the same time, and knife lowers and cuts sheets. You may release cut buttons when knife begins to rise because knife returns to home position automatically.

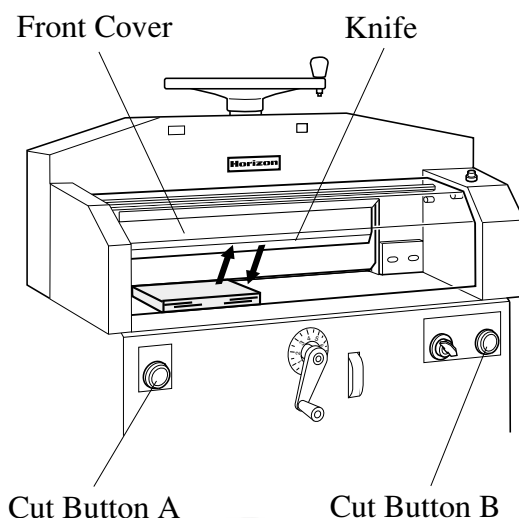
Clamber Hand Wheel



### NOTE

- If you fail to press both cut buttons at the same time, release your hands from buttons and try it again 2 seconds later.

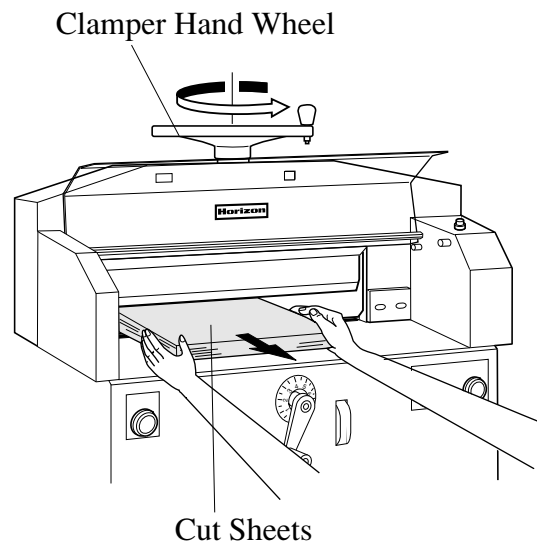
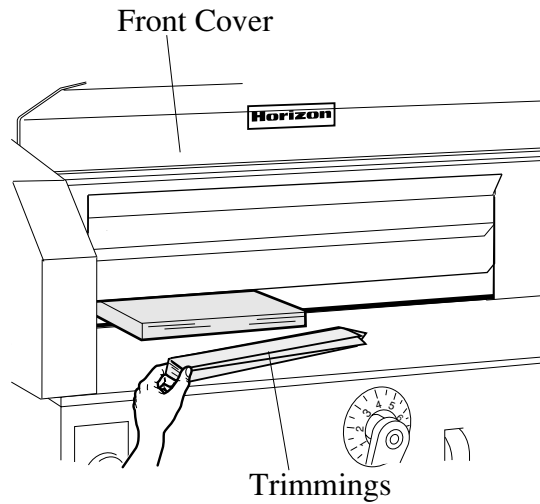
- If you release your hand(s) from cut button(s) while knife is lowering and cutting operation is stopped, press cut button A and B separately with the interval of 0.5 seconds or more, and knife returns to home position.



### 3. Operation Procedure

## 3-1 Operation Procedure

12. Make sure knife has returned to home position after cutting.
13. Release your hands from cut buttons.
14. Turn off power with key switch.
15. Open front cover and remove trimmings on table.
16. Loosen clamber hand wheel by turning it counterclockwise.
17. Take cut sheets out of table.
18. Repeat procedure 1 to 14. Back gauge is not required to adjust in the case of the same cutting width.



## 4. After Cutting

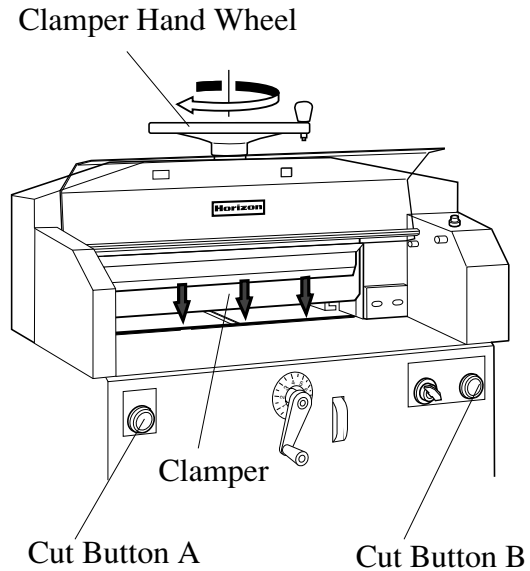
4-1 Original Condition .....	18
4-2 Power off .....	18
4-3 Cleaning Table .....	19

#### 4. After Cutting

### 4-1 Original Condition

*Clamper must be lowered to the bottom after finishing operation.*

1. Lower clamper to the bottom by turning clamper hand wheel clockwise.
2. If knife remains on half way, press cut button A and B separately with the interval of 0.5 seconds or more to return the knife to the home position.



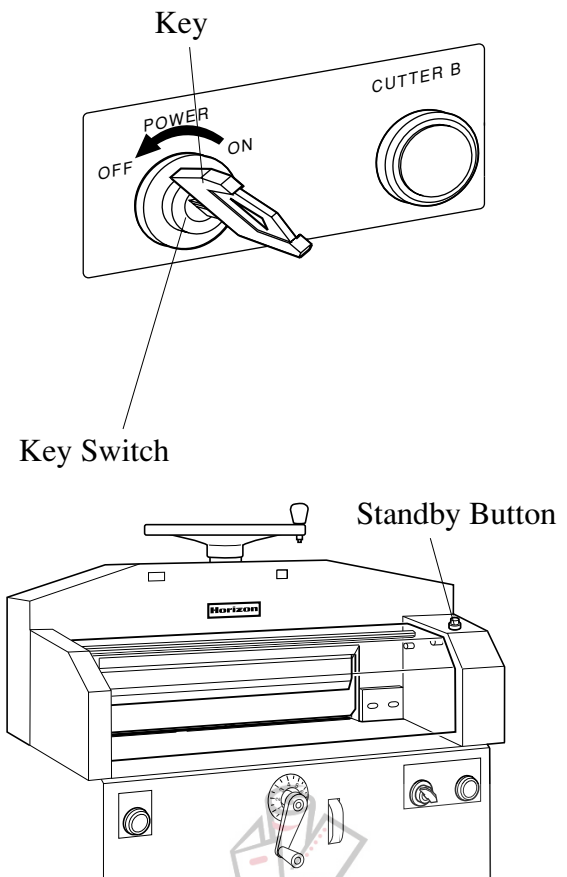
### 4-2 Power off

*Power is turned off.*

#### **WARNING**

*- Only authorized operators should have access to key switch.*

1. Turn off power by turning key switch counterclockwise.
  - When turning on the power again, turning it on after the Standby button completely goes out.
2. Pull out key and keep it.



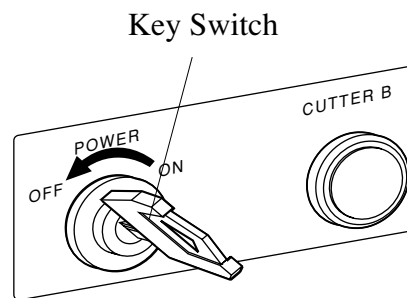
---

## 4-3 Cleaning Table

---

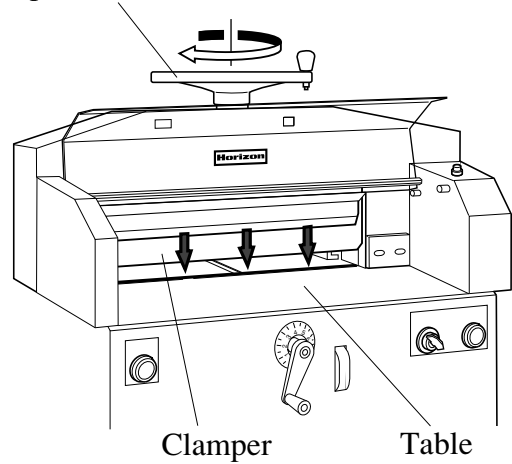
*Clean table after operating PC-45.*

1. Make sure power is off.



2. Lower clamber to the bottom by turning clamber hand wheel clockwise.

Clamber Hand Wheel



3. Wipe trimmings off table with soft cloth.



## 5. Troubleshooting

<b>5-1 Cut Sheets Are Not Square .....</b>	<b>22</b>
<b>5-2 Cut Surface Has Diagonal Lines .....</b>	<b>23</b>
<b>5-3 Sheets Are Not Cut Equally .....</b>	<b>23</b>
<b>5-4 Sheets Are Not Cut Even After the Power Is Turned On .....</b>	<b>24</b>

## 5-1 Cut Sheets Are Not Square

**(Cause)**

Back gauge is not parallel to knife.

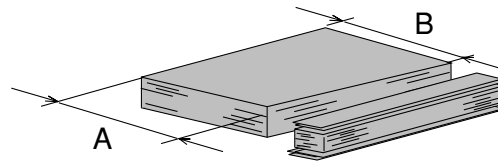
**(Remedy)**

Tools:

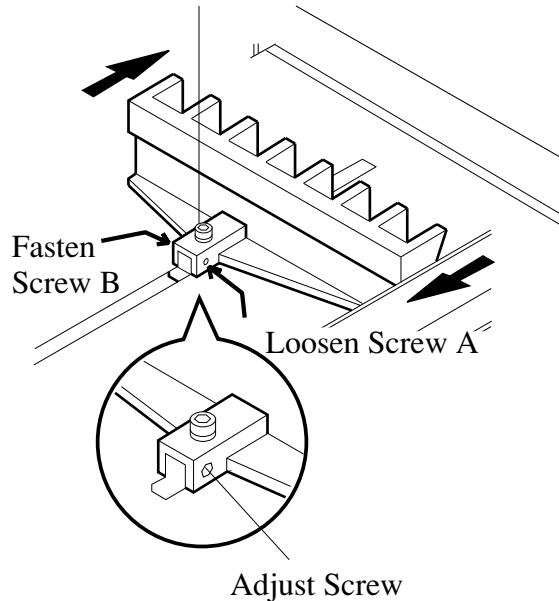
- 1. Wrench 5 mm
- 2. Wrench 4 mm

1. Turn off power with key switch.
2. Remove transparent cover in back gauge section.
3. Loosen back gauge fix screws and adjust back gauge with adjust screw.
  - Back gauge moves clockwise by loosening screw A and fastening screw B. Length B is shortened by moving back gauge clockwise.
4. Fasten back gauge fix screw after adjusting of back gauge.
5. Turn on power and check that edges are parallel by test cutting.
6. Repeat procedure 1 to 4 until one edge parallels another edge.

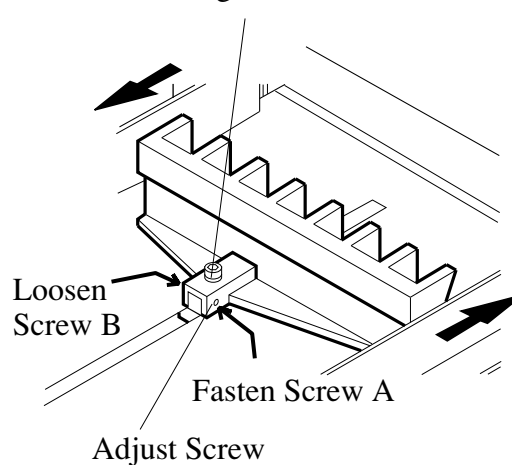
**Length A and B is different.**



Back Gauge Fix Screws



Back Gauge Fix Screws



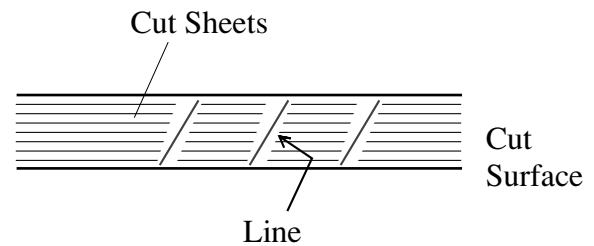
## 5-2 Cut Surface Has Diagonal Lines

**(Cause)**

Knife is worn or nicked.

**(Remedy)**

Replace knife with new one referring to "6-2 Knife Replacement".



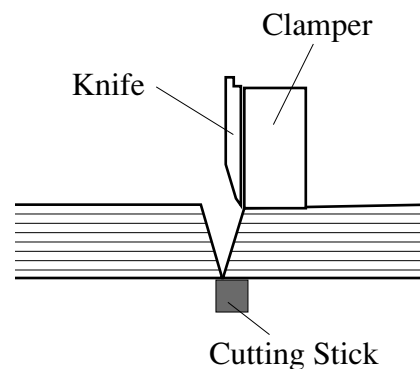
## 5-3 Sheets Are Not Cut Equally

**(Cause 1)**

Clamper presses sheets too strongly or knife moves forward slightly as knife moves down.

**(Remedy)**

Weaken clamper pressure or replace knife with new one.

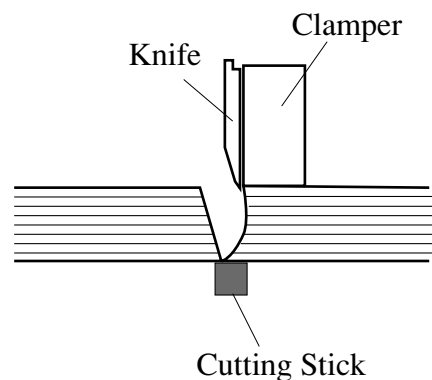


**(Cause 2)**

Weak clamper pressure sometimes causes bow-shaped section. Less than 20° angle of knife sometimes also causes knife to cut inward sheets.

**(Remedy)**

Tighten clamper or replace knife with new one.



---

## 5-4 Sheets Are Not Cut Even After the Power Is Turned On

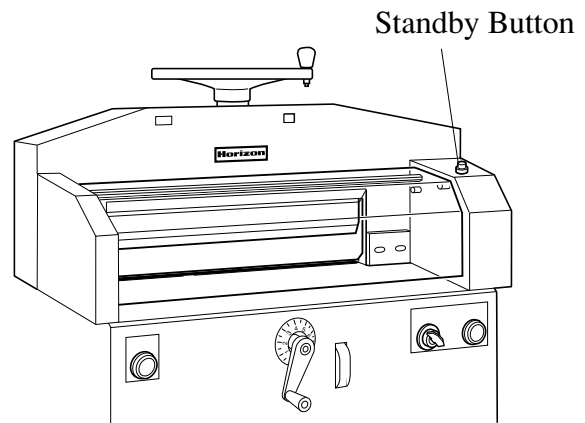
---

**(Cause)**

The Standby button is not pressed.

**(Remedy)**

Press the Standby button.



## 6. Maintenance

<b>6-1 Cutting Stick Replacement .....</b>	<b>26</b>
<b>6-2 Knife Replacement .....</b>	<b>28</b>
<b>6-3 Knife Height Adjustment .....</b>	<b>34</b>
<b>6-4 Cutting Depth Balance Adjustment .....</b>	<b>35</b>
<b>6-5 Test Cutting .....</b>	<b>36</b>
<b>6-6 Lubrication (Monthly) .....</b>	<b>37</b>

## 6-1 Cutting Stick Replacement

*When the groove on cutting stick gets deep, last sheet is left uncut or torn off. Replace cutting stick with new one.*

**⚠ WARNING**

**- Do not touch knife. Otherwise you may be injured.**

**NOTE**

**- If knife remains on half way, press cut button A and B separately with the interval of 0.5 seconds or more to return the knife to the home position.**

Tool:

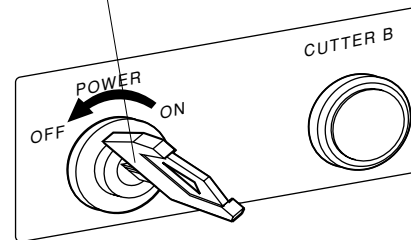
1. Straight Screwdriver

**1.** Turn off power by turning key switch counterclockwise.

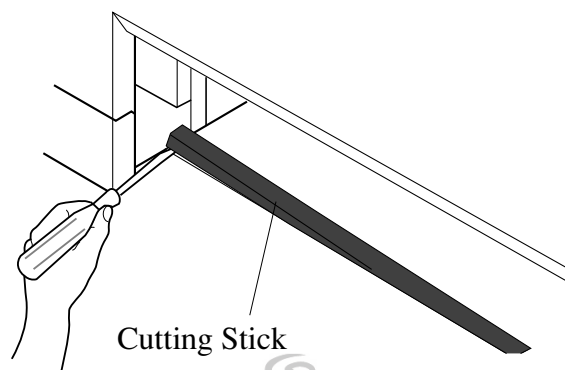
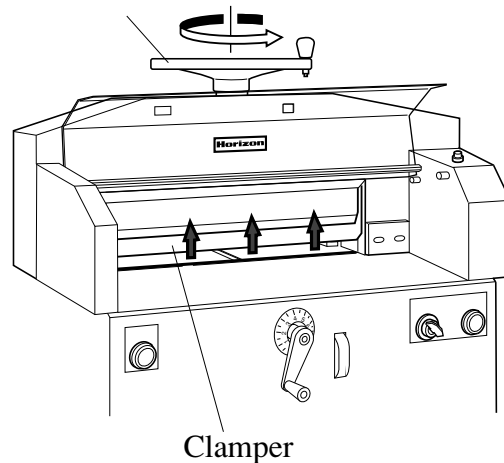
**2.** Turn clamber hand wheel counterclockwise to raise clamber fully.

**3.** Insert Straight Screwdriver into the bottom of cutting stick and remove cutting stick.

Key Switch

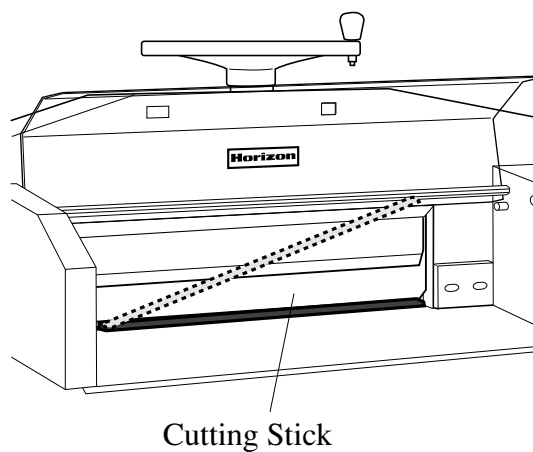


Clamber Hand Wheel



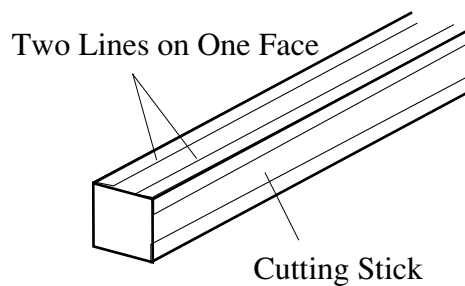
## 6-1 Cutting Stick Replacement

4. Replace face of cutting stick with new one.

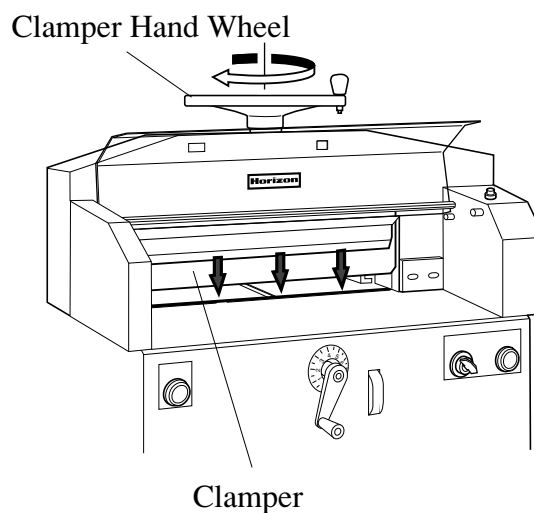


### NOTE

- One face of cutting stick provides two working line. Replace face with another new face after both two lines on the same face are used.



5. Turn clamber hand wheel clockwise to lower clamber to the bottom.



## 6-2 Knife Replacement

*This section shows how to replace knife.*

- Replace knife in the following conditions;

1. Some sheets are left uncut.
2. Cutting noise gets louder.
3. Trimmed sheets are not separated smoothly.
4. Knife stops during cutting.

### 6-2-1 Knife Removal

*Remove knife to replace it with new one.*

#### **WARNING**

- Wear gloves when knife is replaced.
- Be careful of knife. Do not touch knife.
- Knife may cause serious injury.
- Be careful of removed knife. Do not put it on unstable place with knife bare.

Tools;

1. Felt Pen
2. Box Wrench
3. Two Knife Holder

1. Turn off power with key switch.
2. Turn clamber hand wheel to lower clamber to the bottom.
3. Make sure knife is on home position.
4. Open front cover.
5. Mark knife position on clamber with felt pen.

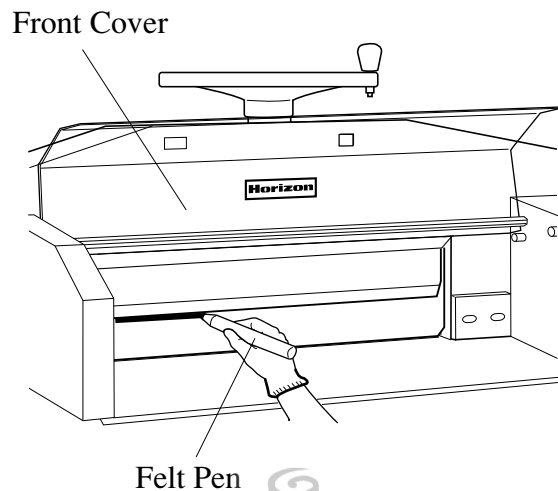
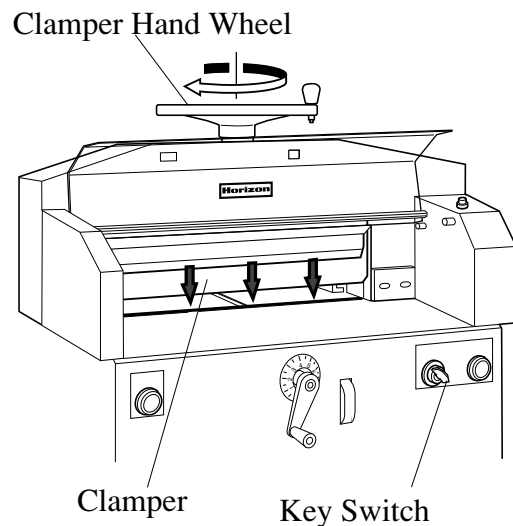
#### **NOTE**

- This mark is used to adjust knife position.

6. Close front cover.

#### **CAUTION**

- When some sheets are left uncut, knife does not need to be replaced by adjusting cutting depth, but use of worn knife cause some troubles. Replace knife with new one when knife cuts sheets about 500 times.



## 6-2 Knife Replacement

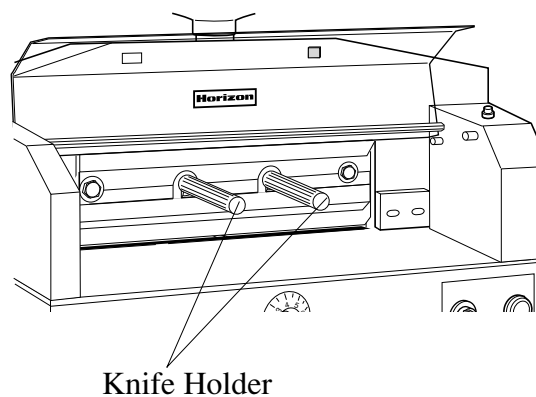
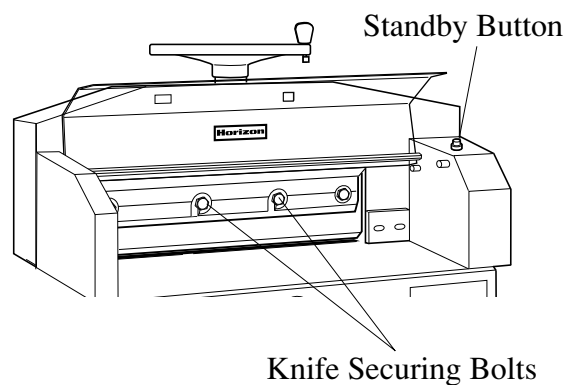
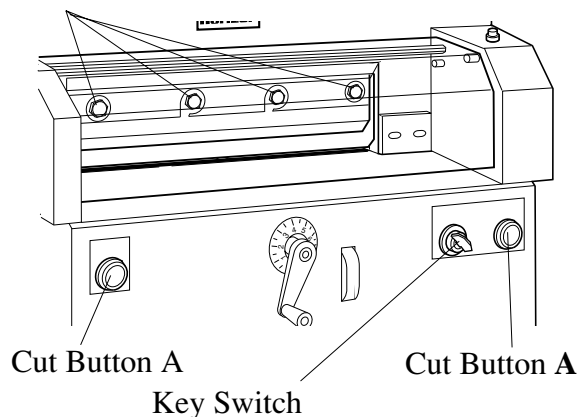
7. Turn on power with key switch.
8. Press cut buttons A and B to lower knife until all four knife securing bolts appear.

### NOTE

- Do not lower knife too low. Otherwise knife cannot be removed.

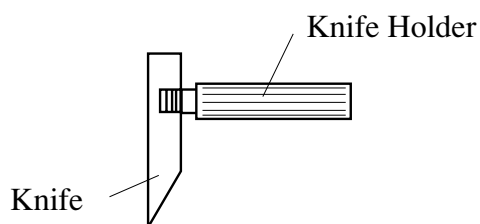
9. Turn off power with key switch.
10. Press the Standby button.
  - Check that the Standby button lights.
11. Open front cover.
12. Remove the center two of four knife securing bolts with box wrench.
13. Fasten knife holders enough.

Knife Securing Bolts



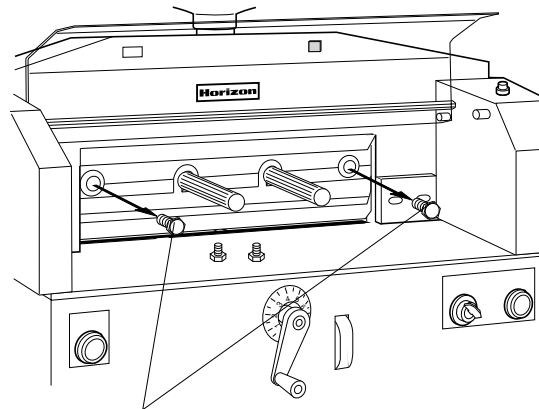
### WARNING

- Fastening knife holder insufficiently may cause knife to fall and severe injury to operators as a result. Do fasten knife holder completely as shown in the drawing below.

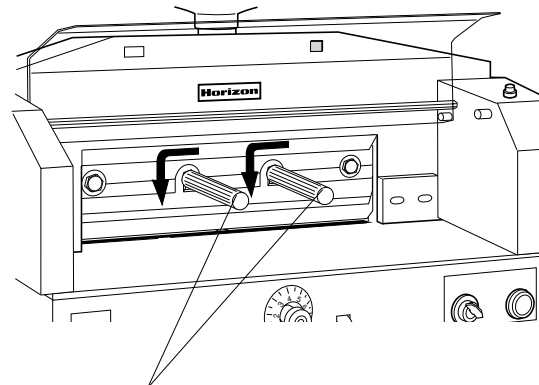


## 6-2 Knife Replacement

14. Loosen the rest of two knife securing bolts with box wrench.
15. Remove knife securing bolts with box wrench turning knife holder clockwise not to fall knife.
16. Slide knife to the left and remove it slowly.



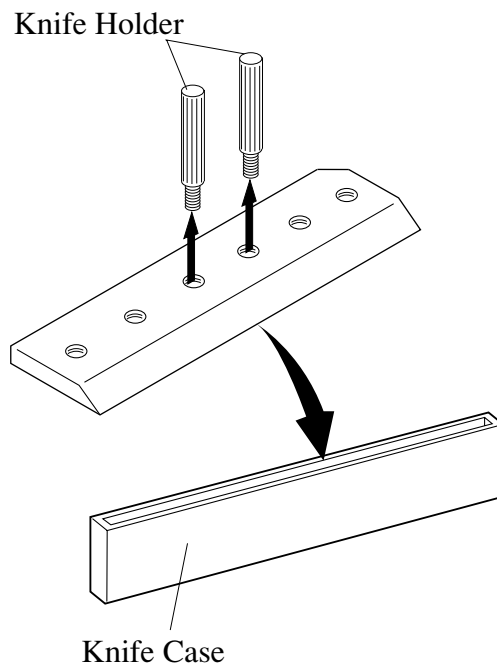
Knife Securing Bolts



Knife Holder

**⚠ WARNING**  
*- Knife may cause serious injury if you touch it lightly. Take care knife is not touched by other persons or falls.*

17. Put knife on safe place, remove knife holder, put knife in knife case, and request to sharpen knife to your local dealer or knife resharpening shop.



## 6-2 Knife Replacement

### 6-2-2 Knife Installation

*This section shows how to install knife.*

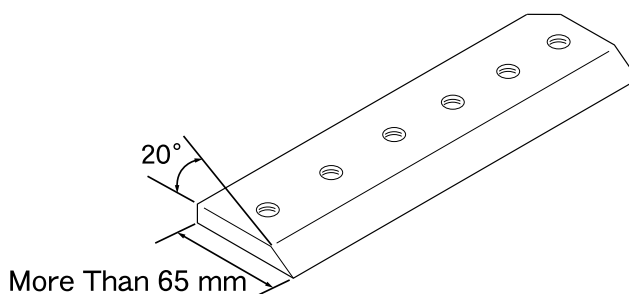
#### **WARNING**

- *Wear gloves when knife is replaced.*
- *Be careful of knife. Do not touch knife directly.*
- *Knife may cause serious injury.*
- *Be careful of removed knife. Do not put it on unstable place with knife bare.*

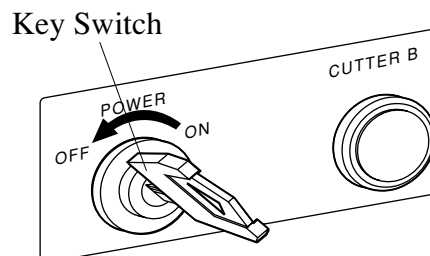
#### **NOTE**

##### *Sharpening Specifications*

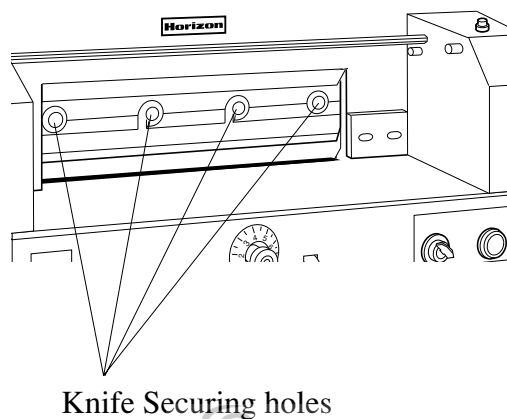
- *Knife must be ground to an angle of 20°.*
- *Grind knife as little as necessary.*
- *Sharpened knife must have at least 65 mm height. Replace knife whose height is less than 65 mm with new one.*



1. Turn off power with key switch.



2. Make sure all four knife securing holes can be seen.



## 6-2 Knife Replacement

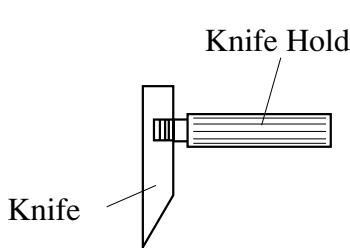
3. Fasten two knife holders in center two holes in the right drawing.

**NOTE**

- Be careful not to mistake the right side of knife.

**⚠ WARNING**

*- Fastening knife holder insufficiently may cause knife to fall and severe injury to operators as a result. Do put screw section of knife holder completely as shown in the drawing below.*

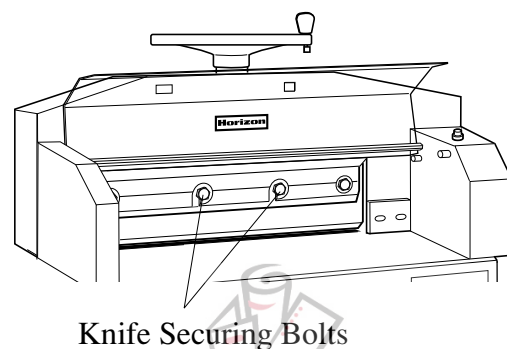
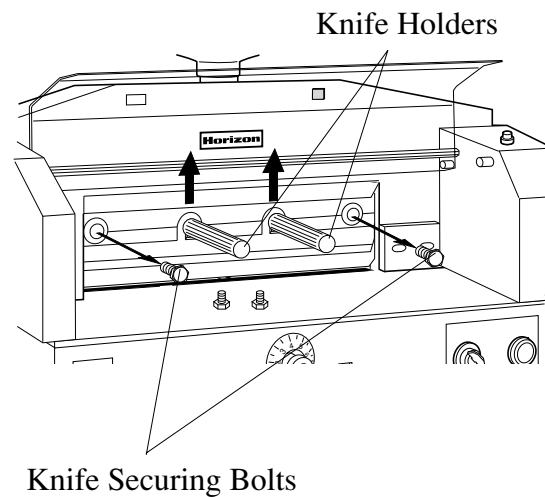
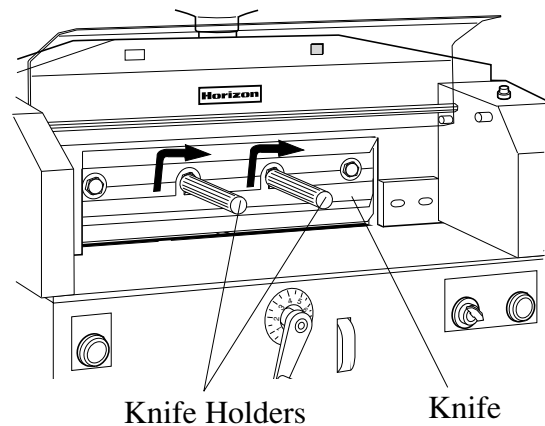
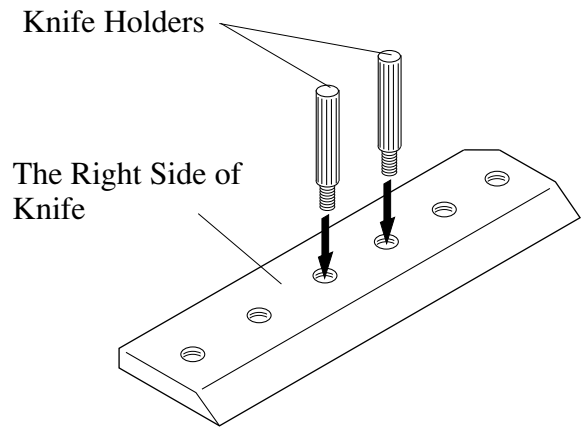


Knife Holder

Knife

4. Open front cover.
5. Raise knife holders fitting knife securing groove and slide knife holders to the right.
6. Fasten knife securing bolts with box wrench, lifting knife with knife holder.

7. Remove knife holder and fasten two knife securing bolts there with box wrench.

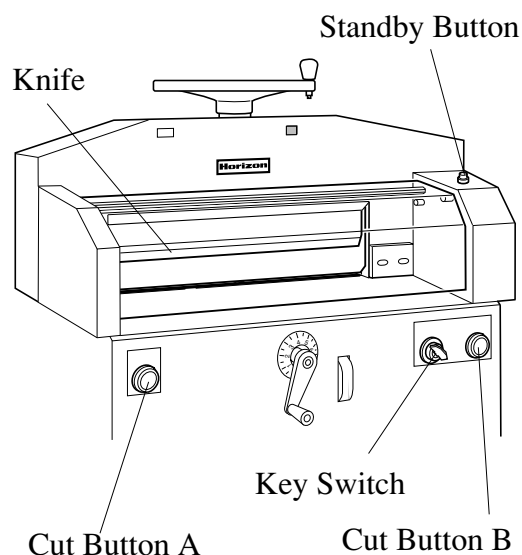


## 6-2 Knife Replacement

8. Close front cover.

9. Turn on power with key switch.

10. Press the Standby button.  
- Check that the Standby button lights.

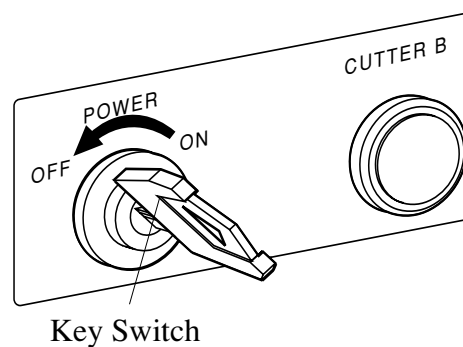


11. Press cut button A and B separately with the interval of 0.5 seconds or more to return the knife to the home position.



### WARNING

*- Do not lower knife until knife adjustment is finished. Otherwise PC-45 may be broken.*



12. Turn off power with key switch.

## 6-3 Knife Height Adjustment

### 6-3-1 Cutting Depth Adjustment

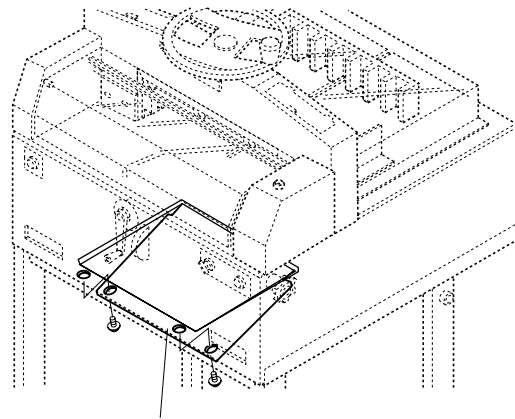
*Cutting depth must be adjusted after knife replacement.*



#### **WARNING**

*- Operating PC-45 before cutting depth is adjusted may cause some troubles.*

1. Turn clamber hand wheel to lower pressure.
2. Unplug power cord.
3. Open knife adjust cover.

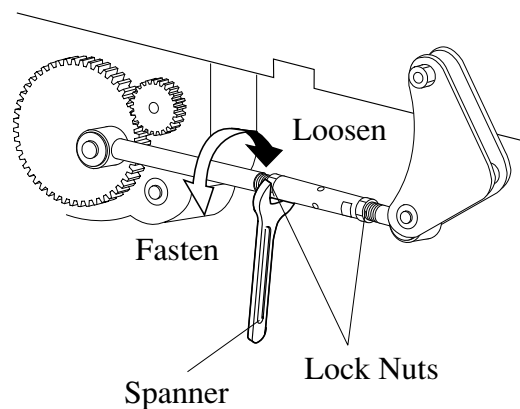


Knife Adjust Cover

#### **NOTE**

*- Turn lock nut clockwise to loose lock nut.*

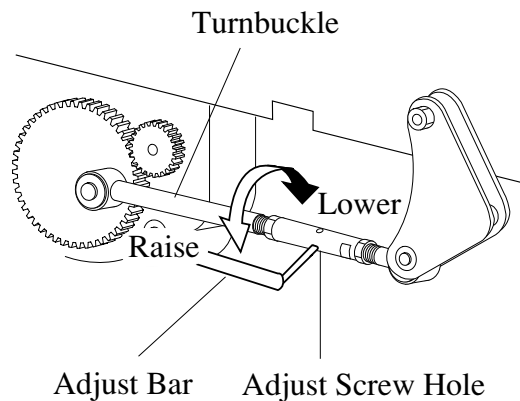
4. Loosen two lock nuts of knife height adjust screws with spanner.
5. Turn turnbuckle with adjust bar into adjust screws hole to fit knife with the mark with felt pen.



#### **NOTE**

*- 1/6 turn of knife height adjust bolts raise/lower knife about 0.6 mm. Excessive cutting pressure does harm to PC-45. Maximum cutting depth is 0.5 mm.*

6. Fasten two locknuts.
7. Close knife adjust cover on the bottom.



## 6-4 Cutting Depth Balance Adjustment

*Cutting depth balance adjustment is required when cutting pressure is not the same in left and right sides.*

### **⚠ WARNING**

*- Handle knife with utmost care. Do not touch knife.*

### **⚠ CAUTION**

*- After adjusting cutting depth balance, knife height adjustment is required in some case.*

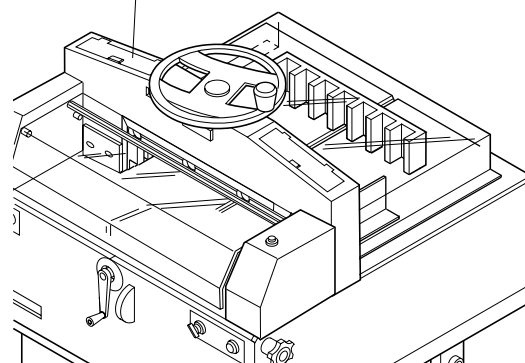
1. Open left adjustment section cover.
2. Loosen lock bolt with allen wrench.
3. Insert allen wrench into balance adjust shaft hole and adjust knife height.

### **NOTE**

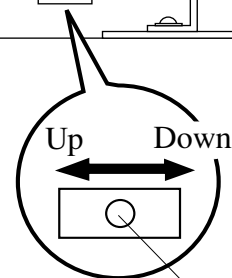
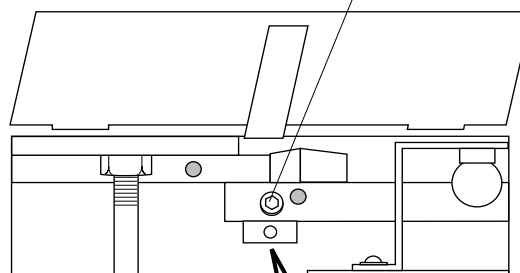
*- The left side of knife rises/lowers by turning balance adjust shaft.*

4. Fasten lock bolt with allen wrench.
5. Close cover of adjustment section.

Left Adjustment Section Cover

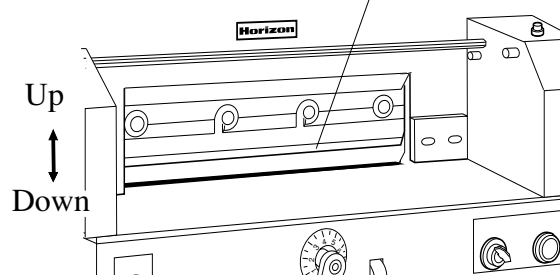


Lock Bolt



Balance Adjust Shaft Hole

Knife



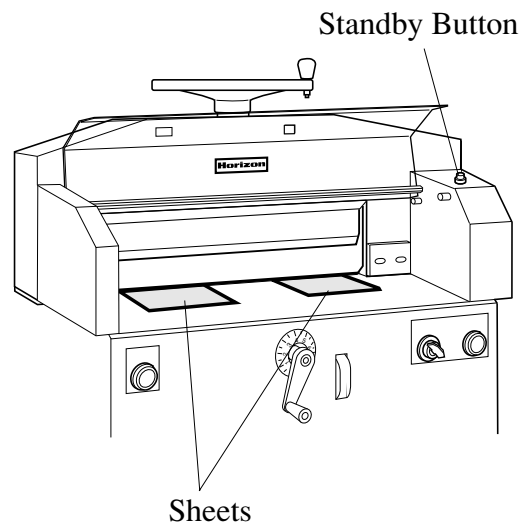
## 6-5 Test Cutting

*Check on knife cutting condition.*

### **⚠ WARNING**

- *Do not put your hands and fingers under knife. Otherwise you may be injured seriously.*
- *Do not put your hands under knife while power is on.*
- *Assign only "ONE" operator to operate PC-45.*
- *It is dangerous to remain knife on half position for fear of cutting hands or fingers. Make sure to return knife to home position.*

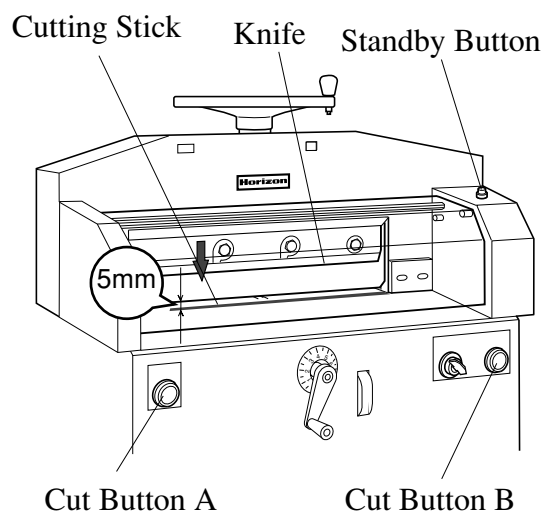
1. Place sheets on both edge of table one by one.
2. Turn power on with key switch.
3. Press the Standby button.
  - Check that the Standby button lights.
4. Operate PC-45 referring to "3-1 Operation Procedure".
5. If both sheets are left uncut partially, adjust knife height again. (Page 32)
6. If either paper is left uncut partially, adjust knife height.



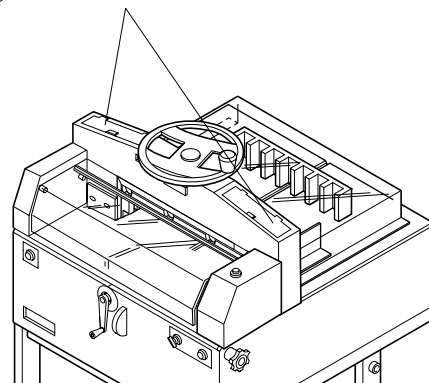
## 6-6 Lubrication (Monthly)

*Lubricate the following sections to maintain PC-45 in the best condition.*

1. Turn on power with key switch.
2. Press the Standby button.  
- Check that the Standby button lights.
3. Turn clamber hand wheel to lower clamper to the surface of table.
4. Press cut buttons A and B to lower knife.  
Release cut buttons when clearance between knife and cutting stick is about 5 mm, and knife will stop.
5. Turn off with key switch.
6. Open adjustment section covers (right and left).
7. Lubricate sliding faces between marks.
8. Close tops of lubricate section.

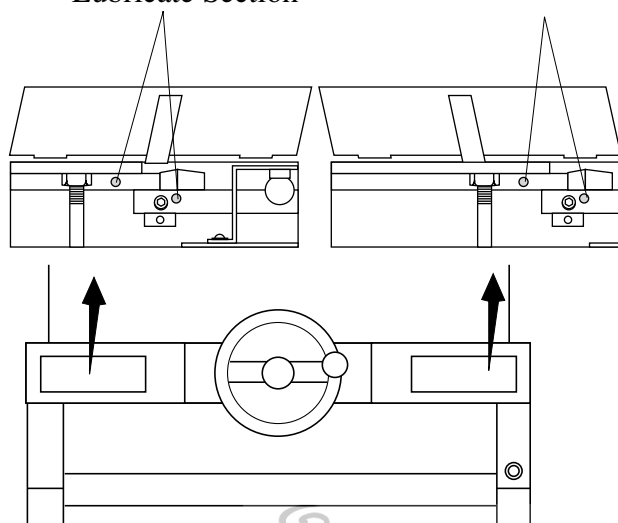


Adjustment Section Covers



Lubricate Section

Lubricate Section

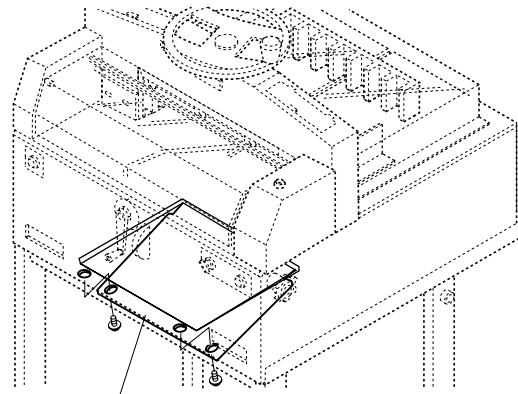


---

## 6-6 Lubrication (Monthly)

---

9. Open knife adjust cover and apply grease on driving and rotating section. (Arrow marks)

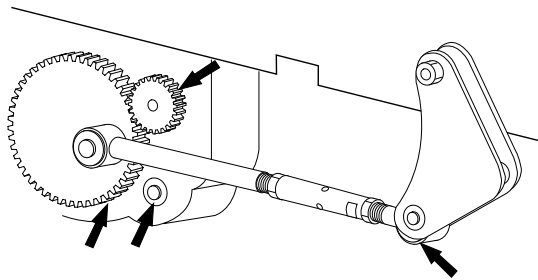


Knife Adjust Cover

10. Close knife adjust cover.

11. Turn on power with key switch.

12. Press cut button A and B separately with the interval of 0.5 seconds or more to return the knife to the home position.



# 7. Installation

7-1 Installation ..... 40

## 7-1 Installation

Place PC-45 properly according to its machine dimensions.

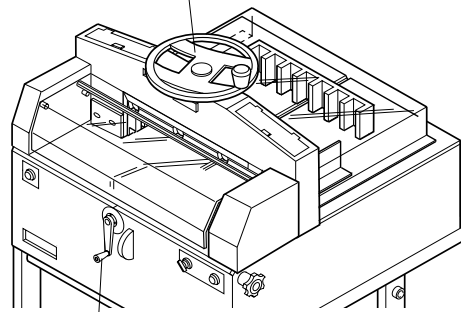
### **WARNING**

- PC-45 weighs about 160 kg/332 lb totally. Move it with utmost care.
- Do not grip back gauge handle or clamber hand wheel when PC-45 is moved because serious injury may be caused and back gauge and clamber may lack in precision.

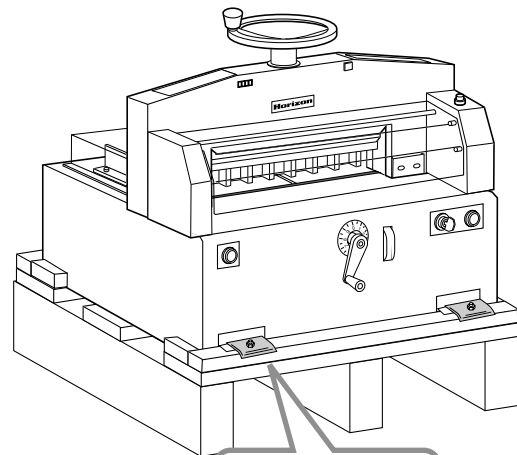
- Select flat floor considering the machine weight (about 160 kg/332 lb).
- Select a place free from extremely high temperature and humidity.

1. Unpack the machine and remove four locking plates (at the front and rear).

Clamber Hand Wheel



Back Gauge Handle

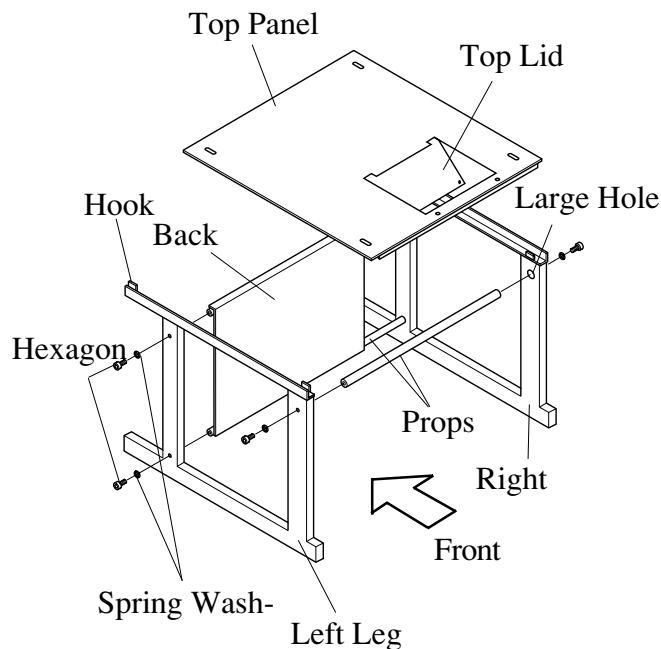


Locking Plate

## 7-1 Installation

### Assembling the pedestal for PC-45.

2. Insert one end of the prop (3 pcs) into the large holes at the right leg and fix the props with the spring washers and the hexagon head bolts with using of the supplied box wrench.
3. Put the back panel on the props and secure them to the left leg.
4. Place the both semi-assembled legs on the flat floor and secure firmly the hexagon head bolts at the left leg.
5. Fit a top lid on the top panel and mount it on the leg assembly as shown in the right drawing.
6. Mount the PC-45 machine on the top panel so that the hooks on the right leg are fitted in the bottom notches of the PC-45 machine.



Legs	2	Top Panel	1	Hexagon Bolts	6
Props	3	Top Lid	1		
Back Panel	1			Washers	6

---

## 7-1 Installation

---

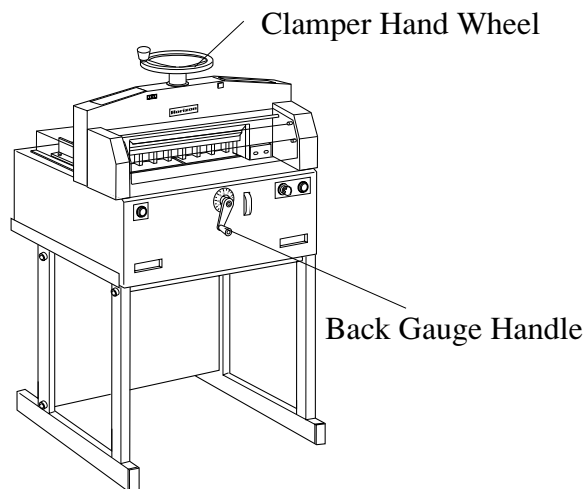
7. Place PC-45 on the stand in correct direction.

**NOTE**

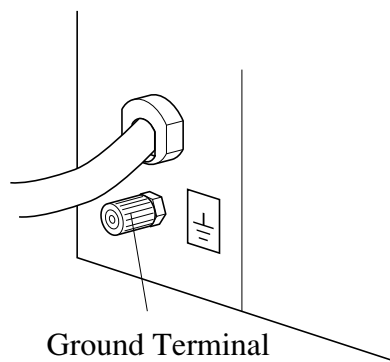
- *Make sure PC-45 is not placed on hook.*

8. Install clamper hand wheel.

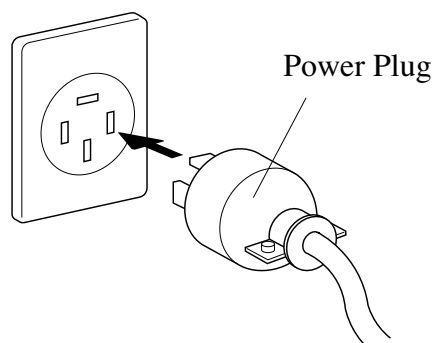
9. Install back gauge handle.



10. Connect ground wire. (Contact electrical appliance store.)



11. Plug power plug into outlet.



# We Have it All...



## **MyBinding.com**

*When Image Matters.*

**Guaranteed Lowest Prices** on an  
Endless Selection of Binding Systems, Laminators,  
Paper Shredders, Supplies and Accessories.

**We have you covered** with Expert Advice  
and Support. Our popular blog keeps you up to  
date on the latest tips and techniques to make  
your most important binding and laminating  
tasks a success.

**Call Us Today**

**1-800-944-4573**

### **Our Trusted Partners**

GBC / Ibico

Fellowes

Powis Fastback

Unibind

Akiles

Renz

Tamerica

Rhin-O-Tuff

DFG

Pro-Bind

Martin Yale

MBM

Formax

Intimus

Dahle

HSM

Standard

Xyron

Challenge

Lasko-Wizer

GBC Shredmaster

Avery

Wilson Jones

Cardinal

Samsill

Universal



- BINDING MACHINES
- BINDING SUPPLIES
- LAMINATORS
- I.D. ACCESSORIES
- BOARDS & EASELS
- PAPER SHREDDERS
- XYRON LAMINATORS
- COIL BINDING MACHINES
- UNIBIND BINDING MACHINES
- FASTBACK BINDING EQUIPMENT
- PAPER FOLDING MACHINES
- LAMINATING POUCHES
- ROTARY TRIMMERS
- CLEAR COVERS
- TWIN LOOP WIRE
- REGENCY COVERS
- PLASTIC BINDING COVERS
- VELOBIND BINDING MACHINES
- PAPER HANDLING EQUIPMENT
- THERMAL BINDING MACHINES
- PROCLICK BINDING SYSTEMS
- COMB BINDING MACHINES
- COMB BINDING SUPPLIES
- WIRE BINDING MACHINES
- POUCH LAMINATORS
- LAMINATING ROLLS
- 3-RING BINDERS
- ROLL LAMINATORS
- VELOBIND SPINES
- PAPER CUTTERS
- PAPER JOGGERS
- LETTER OPENERS
- THERMAL COVERS
- UNIBIND SUPPLIES
- PROCLICK SPINES
- ZIPBIND SPINES
- LINEN COVERS
- SPIRAL COIL
- INDEX TABS