

Standard APC45 Programmable Paper Cutter

Knife Replacement Guide



Provided By

MyBinding.com®
When Image Matters.

APC-45 Knife Replacement

- Knife replacement procedures are shown on the guide window while selecting the knife replacing mode.
- Knife replacing mode is selected automatically when the knife cover is removed.

⚠ WARNING

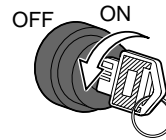


- The knife must be replaced by just one person at a time.
- Wear gloves, and do not touch the knife. The knife may cause severe personal injury.
- Be careful for the removed knife. Do not place the removed knife on the unstable floor or place where knife edge is exposed.

1 Return the knife angle to the standard position.

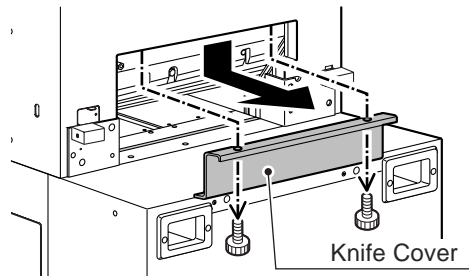
- Follow [4-2 Knife Angle Adjustment] in the operation manual to return the knife angle to the standard position.

2 Turn off the power switch.



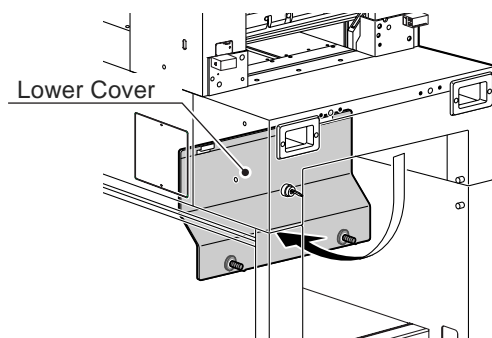
3 Remove the knife cover.

- Remove two screws and remove the knife cover.



4 Open the lower cover.

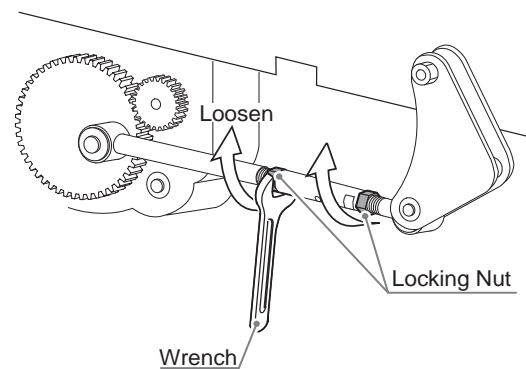
- Steps 4 through 7 are to return the knife holder to the standard height so that the knife does not cut into the cutting stick too deeply when installing the new knife instead of the re-sharpened knife.



APC-45 Knife Replacement

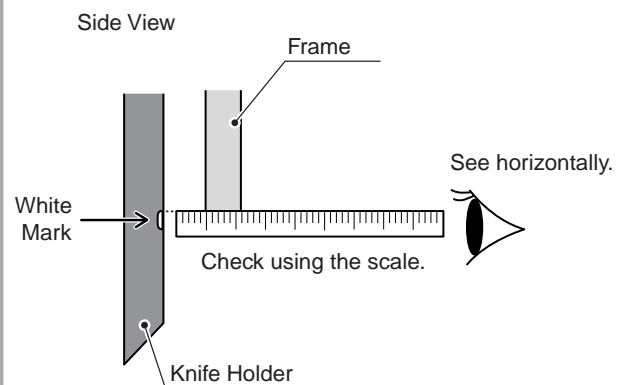
5 Loosen the locking nuts of knife height adjusting turn buckle.

- There are two locking nuts.
- The right locking nut is a left-handed screw.

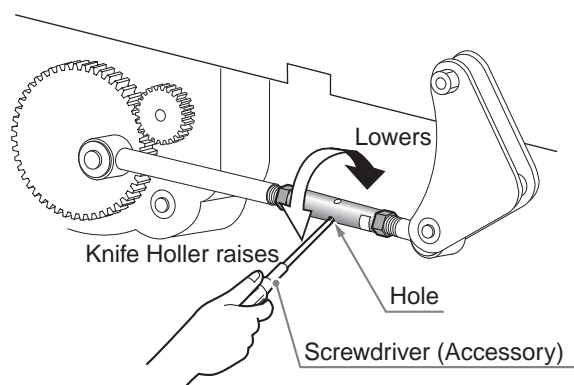


6 Return the knife holder to the standard height.

- Adjust so that the white mark on the knife holder aligns to the bottom of the frame when you see the mark horizontally.
- Insert the screwdriver (accessory) into the hole on the turn buckle and rotate it.



7 Tighten two lock nuts.

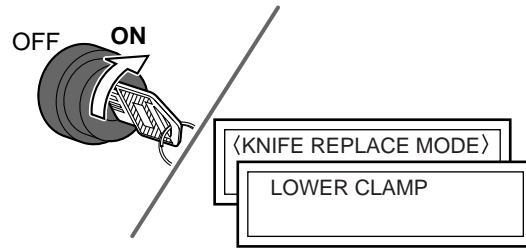


8 Close the lower cover.

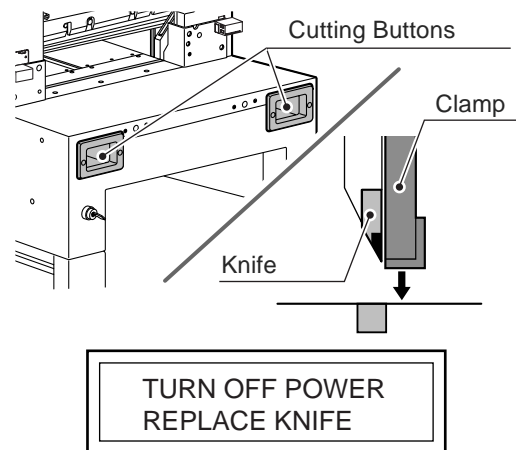
APC-45 Knife Replacement

The following procedures show how to remove the knife.

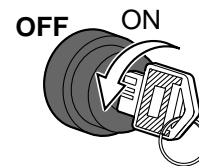
- 9** Turn on the power switch.
- The indication [REPLACE MODE] is shown on the guide window and then it changes to [LOWER CLAMP].



- 10** Press the cutting buttons.
- Only the clamp lowers and stops.
 - The indication [TURN OFF POWER REPLACE KNIFE] is shown on the guide window



- 11** Turn off the power switch.

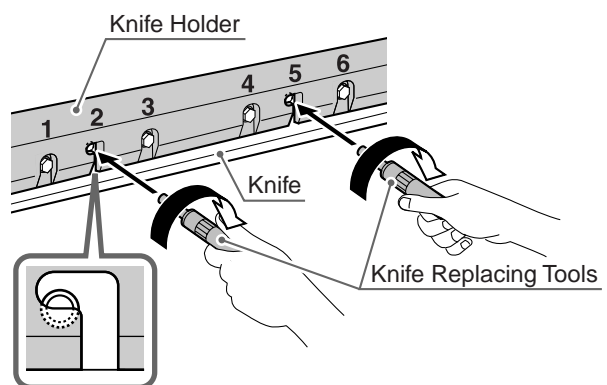


- 12** Screw the knife replacing tools in.
- Screw the knife replacing tools into the screw holes No.2 and No.5.

WARNING



Tighten the tools by hand as much as possible. The knife will be supported just by these two tools when removing the knife.



NOTE

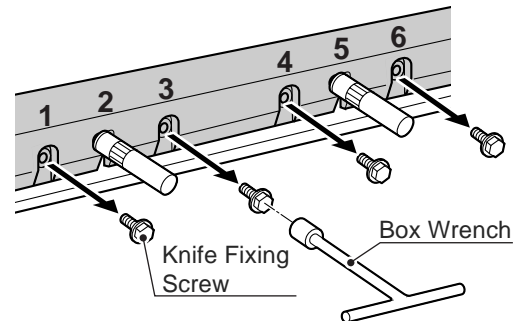
If the knife replacing tool cannot be screwed because the screw hole is as shown in the figure above -

- 1) Loosen the knife fixing screws,
- 2) Raise the fixing screw using the box wrench which is used to loosen the knife fixing screws,
- 3) Bring out the screw holes and screw the knife replacing tools in.

APC-45 Knife Replacement

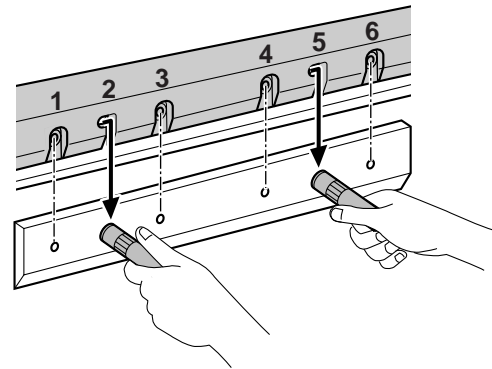
13 Remove the knife fixing screws.

- Remove the fixing screws at the screw holes No.1, 3, 4 and 6.
- Now the knife is supported only by the knife replacing tools at the screw hole No.2 and 5.



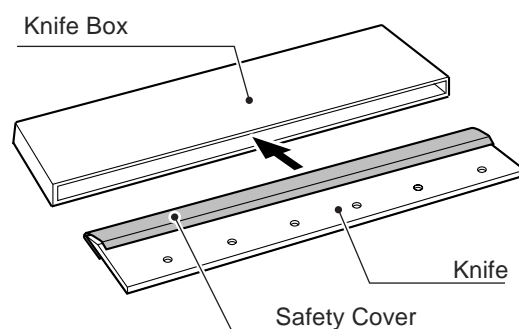
14 Remove the knife.

- 1) Hold the knife replacing tools tightly and turn it counterclockwise slowly. You will feel the knife comes loose.
- 2) Turn the knife replacing tools counterclockwise a bit further. The knife will be held completely by the knife replacing tools.
- 3) Move the knife slowly to the right, then downward along the groove.



15 Place a knife in a safe place.

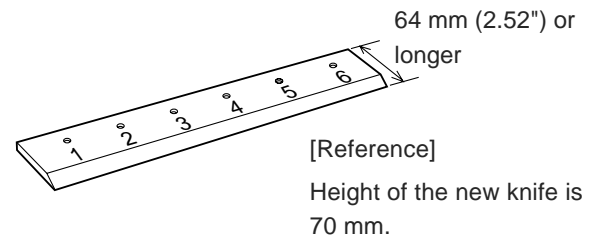
- 1) Attach the safety cover on the removed knife.
- 2) Remove the knife replacing tools.
- 3) House the knife into the knife box.



APC-45 Knife Replacement

The following procedures show how to install new knife.

- 16** You cannot use the knife which height is 64 mm (2.52") or shorter by re-sharpening.

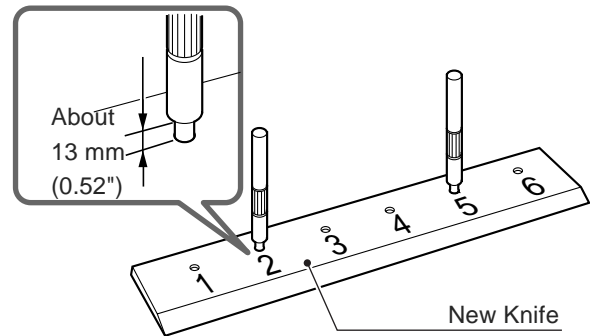


- 17** Screw the knife replacing tools in.

- Screw the knife replacing tool into the screw holes No.2 and 5.
- Screw the knife replacing tool until 13 mm (0.52") space is provided between the knife replacing tool and the knife.

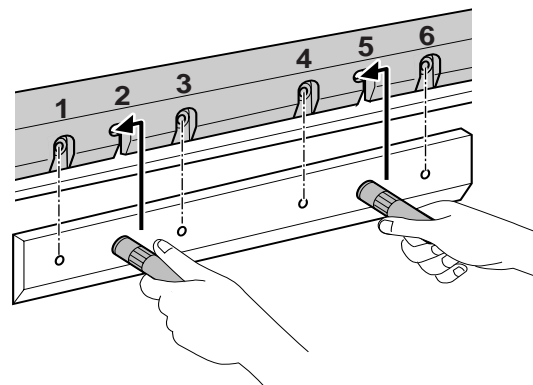
IMPORTANT

If the space is too much, the knife may fall.
Or if the space is too small, the knife cannot be installed to the knife holder.



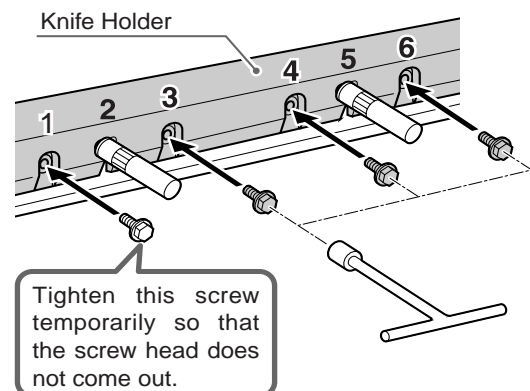
- 18** Install the knife.

- 1) Hold the knife replacing tools tightly and move the knife upward slowly, then to the left along the groove on screw hole No.2 and 5.
- 2) Stay the knife there and turn the knife replacing tool clockwise to lock the knife.



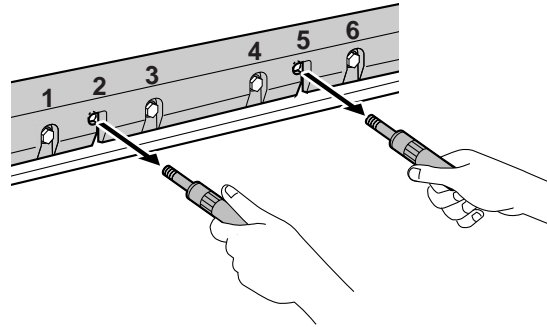
- 19** Install the fixing screws.

- Tighten the screws No.3, 4 and 6 tightly.
- Tighten the screw 1 temporarily so that the head of the screw does not come out at least. (This step is to lower the knife by its weight when the fixing screws No.3, 4 and 6 are loosened in step 23.)



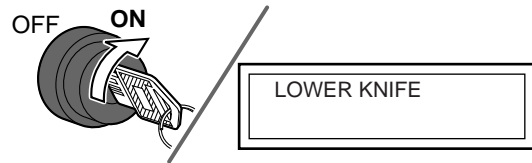
APC-45 Knife Replacement

20 Remove the knife replacing tools.



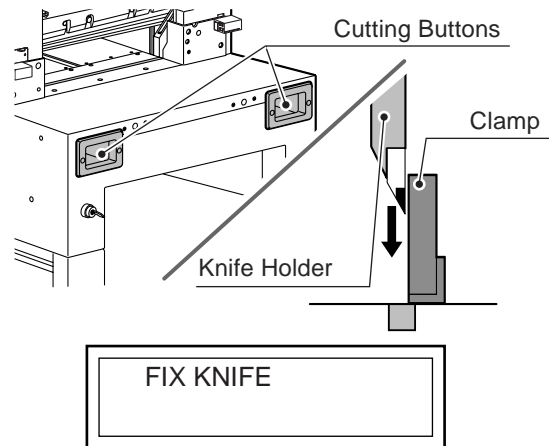
21 Turn off the power switch.

- The indication [LOWER KNIFE] is shown in the guide window.



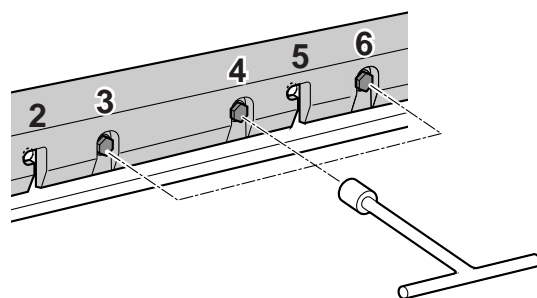
22 Press the cutting buttons.

- Knife holder lowers and stops at the lower limit.
- The fixing screw No.1 goes behind the machine.
- The indication [FIX KNIFE] is shown in the guide window.



23 Loosen the fixing screws No.3, 4 and 6.

- Fixing screw No.1 cannot be accessed because it goes behind the machine. This is why it was not tightened completely in the step 19.
- When the fixing screws are loosened, the knife lowers by its weight and the edge of the knife reaches to the cutting stick.



APC-45 Knife Replacement

Return the angle adjusting screw to the standard position.

24 Loosen the locking screw.

- Insert an Allen wrench (4 mm) in the slot on the left side cover of the machine and loosen the locking screw.

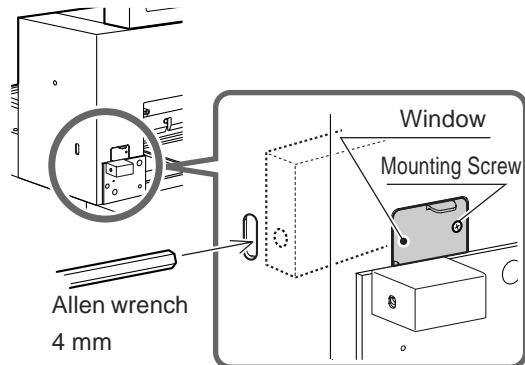
CAUTION



Loosen the locking screw only for one or two turns. Do not remove it.

25 Open the window for adjustment.

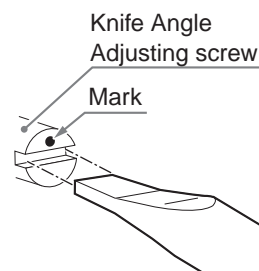
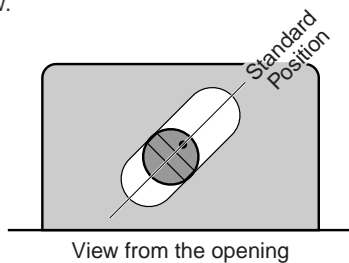
- Remove the mounting screw and open the window.
- A groove can be seen through the window. This is the knife angle adjusting screw.



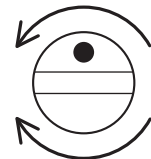
26 Adjust the knife angle.

In case of S/N323899 or below

- Adjust the direction and angle of the knife by the positional relation of the groove shown in the figure below and mark.
- The standard position is as shown in the figure below.



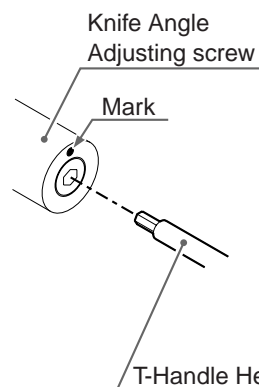
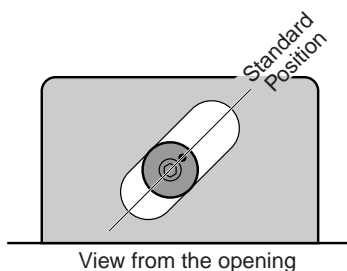
The left side of the knife lowers.



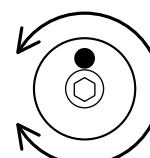
The left side of the knife raises.

In case of S/N324001 or above

- Adjust the direction and angle of the knife by changing the position of the mark in the figure below.
- The standard position is as shown in the figure below.



The left side of the knife lowers.



The left side of the knife lifts.

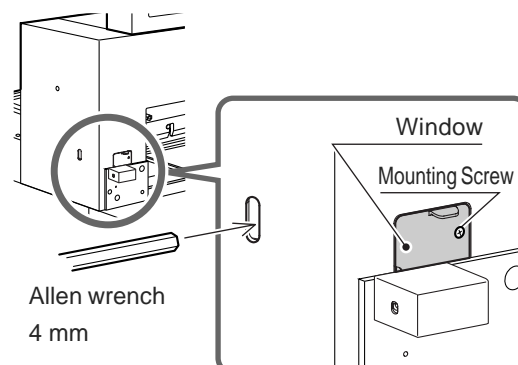


APC-45 Knife Replacement

27 Fasten the locking screw.

28 Close the window for adjustment.

- Fasten the mounting screw.

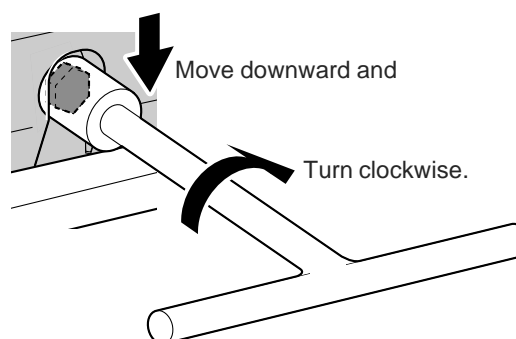


29 Tighten the fixing screws No.3, 4 and 6.

NOTE

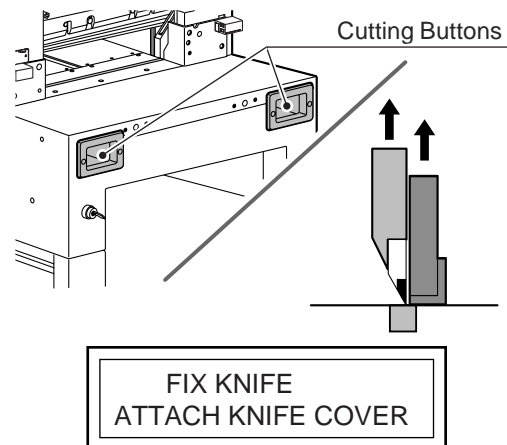
Insert the box wrench and move it downward and turn clockwise to lock the screws.

- Fasten the screws completely in order.

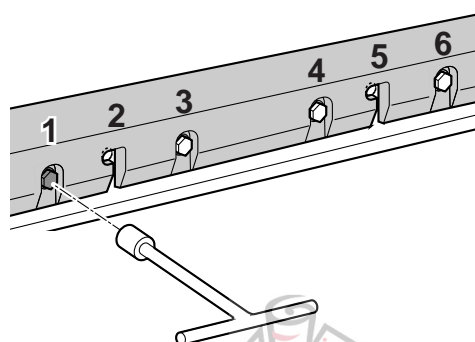


30 Press the cutting buttons separately.

- Provide 0.5 seconds or more interval between. The motor drives in reverse.
- The knife holder raises and then the clamp raises.
- The indication [FIX KNIFE ATTACH KNIFE COVER] is shown on the guide window.



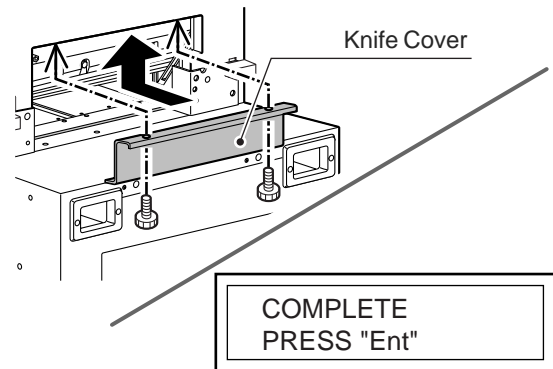
31 Fasten the screw No.1 completely.



APC-45 Knife Replacement

32 Install the knife cover.

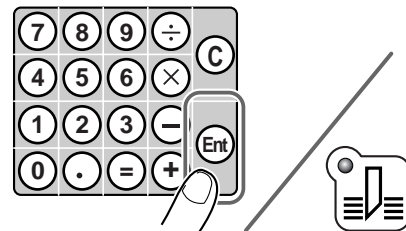
- After the knife cover is installed, the indication [COMPLETE PRESS "Ent"] is shown on the guide window.



33 Press the Ent key.

- When **Ent** is pressed, the back gauge move to the 400.0 position and the [Normal Work Mode] is selected.

- Knife replacement is complete. Perform the test cutting. If some of the sheets remains uncut, go to [4-1: knife Lower Limit Adjustment] in the operation manual.



We Have it All...



MyBinding.com *When Image Matters.*

Guaranteed Lowest Prices on an
Endless Selection of Binding Systems, Laminators,
Paper Shredders, Supplies and Accessories.

We have you covered with Expert Advice
and Support. Our popular blog keeps you up to
date on the latest tips and techniques to make
your most important binding and laminating
tasks a success.

Call Us Today

1-800-944-4573

Our Trusted Partners

GBC / Ibico
Fellowes
Powis Fastback
Unibind
Akiles
Renz
Tamerica
Rhin-O-Tuff
DFG

Pro-Bind
Martin Yale
MBM
Formax
Intimus
Dahle
HSM
Standard
Xyron

Challenge
Lasko-Wizer
GBC Shredmaster
Avery
Wilson Jones
Cardinal
Samsill
Universal



- BINDING MACHINES
- BINDING SUPPLIES
- LAMINATORS
- I.D. ACCESSORIES
- BOARDS & EASELS
- PAPER SHREDDERS
- XYRON LAMINATORS
- COIL BINDING MACHINES
- UNIBIND BINDING MACHINES
- FASTBACK BINDING EQUIPMENT
- PAPER FOLDING MACHINES
- LAMINATING POUCHES
- ROTARY TRIMMERS
- CLEAR COVERS
- TWIN LOOP WIRE
- REGENCY COVERS
- PLASTIC BINDING COVERS
- VELOBIND BINDING MACHINES
- PAPER HANDLING EQUIPMENT
- THERMAL BINDING MACHINES
- PROCLICK BINDING SYSTEMS
- COMB BINDING MACHINES
- COMB BINDING SUPPLIES
- WIRE BINDING MACHINES
- POUCH LAMINATORS
- LAMINATING ROLLS
- 3-RING BINDERS
- ROLL LAMINATORS
- VELOBIND SPINES
- PAPER CUTTERS
- PAPER JOGGERS
- LETTER OPENERS
- THERMAL COVERS
- UNIBIND SUPPLIES
- PROCLICK SPINES
- ZIPBIND SPINES
- LINEN COVERS
- SPIRAL COIL
- INDEX TABS