

RhinoTuff OD 4000 Binding Machine

Parts Book



Provided By

MyBinding.com
When Image Matters.

4000 Parts Book

Page 1
Introductory Page

Upon unpacking their new OD 4000 punch, they should have the following items included:

Cord, Power 18 Ga



PDi Part # 007090

Assembly, Foot Pedal CE/UL



PDi Part # 007031

Oil, 3 in 1



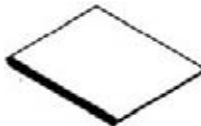
PDi Part # 001085

Brush, Acid, 1/2"



PDi Part # 001086

Book, Instruction 4000/3500/4800



PDi Part # 001172

Kit, Knob 4000



PDi Part # 004050

This book is intended for Rhin-0-Tuff dealers.



Performance Design Inc.



4000 Parts Book

Page 2

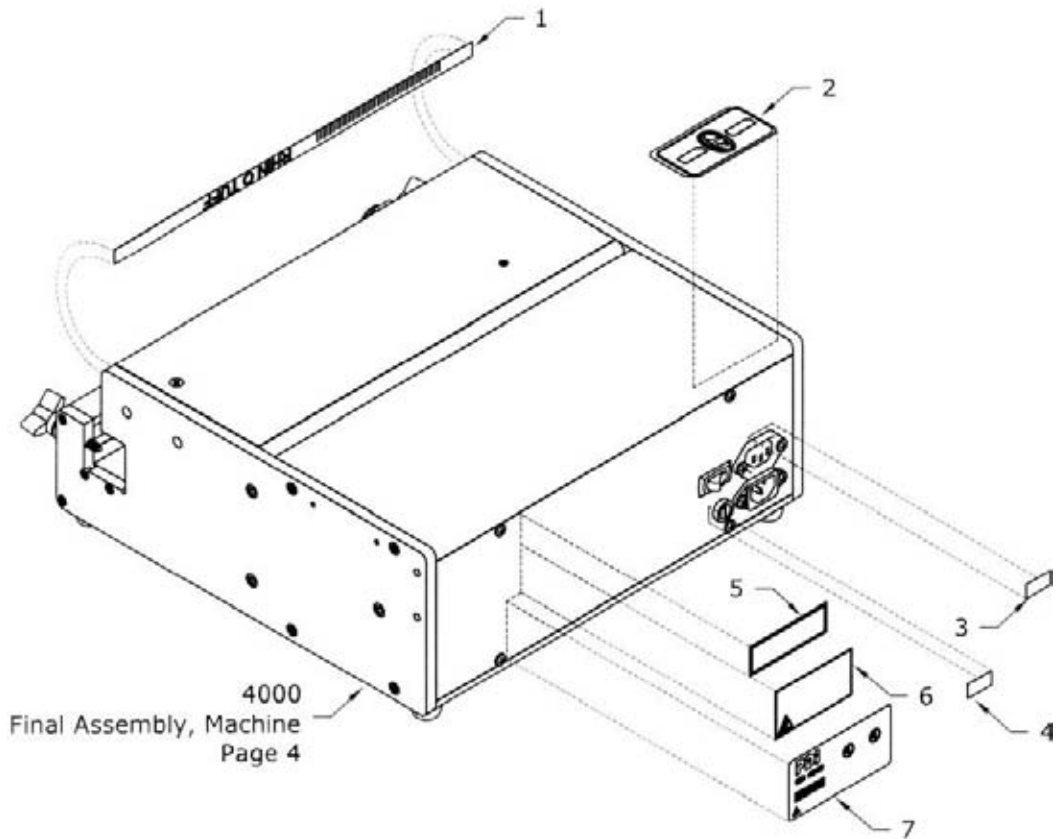
Table Of Contents

Introductory Page	1
Table Of Contents	2
4000 Final Assembly, Labels and Index	3
4000 Final Assembly, Machine	4
4000 Final Assembly, Index	5
Assembly, Motor OD 4000	6
Assembly, Motor OD 4000 and Index	7
Assembly, Back Panel 4000 and Index	8
Assembly, Bottom Panel 4000 and Index	9
4000 Accessories	10
4000 Schematic - UL	11
4000 Schematic - Pre UL	12

4000 Parts Book

Page 3

- 4000 Final Assembly, Labels -



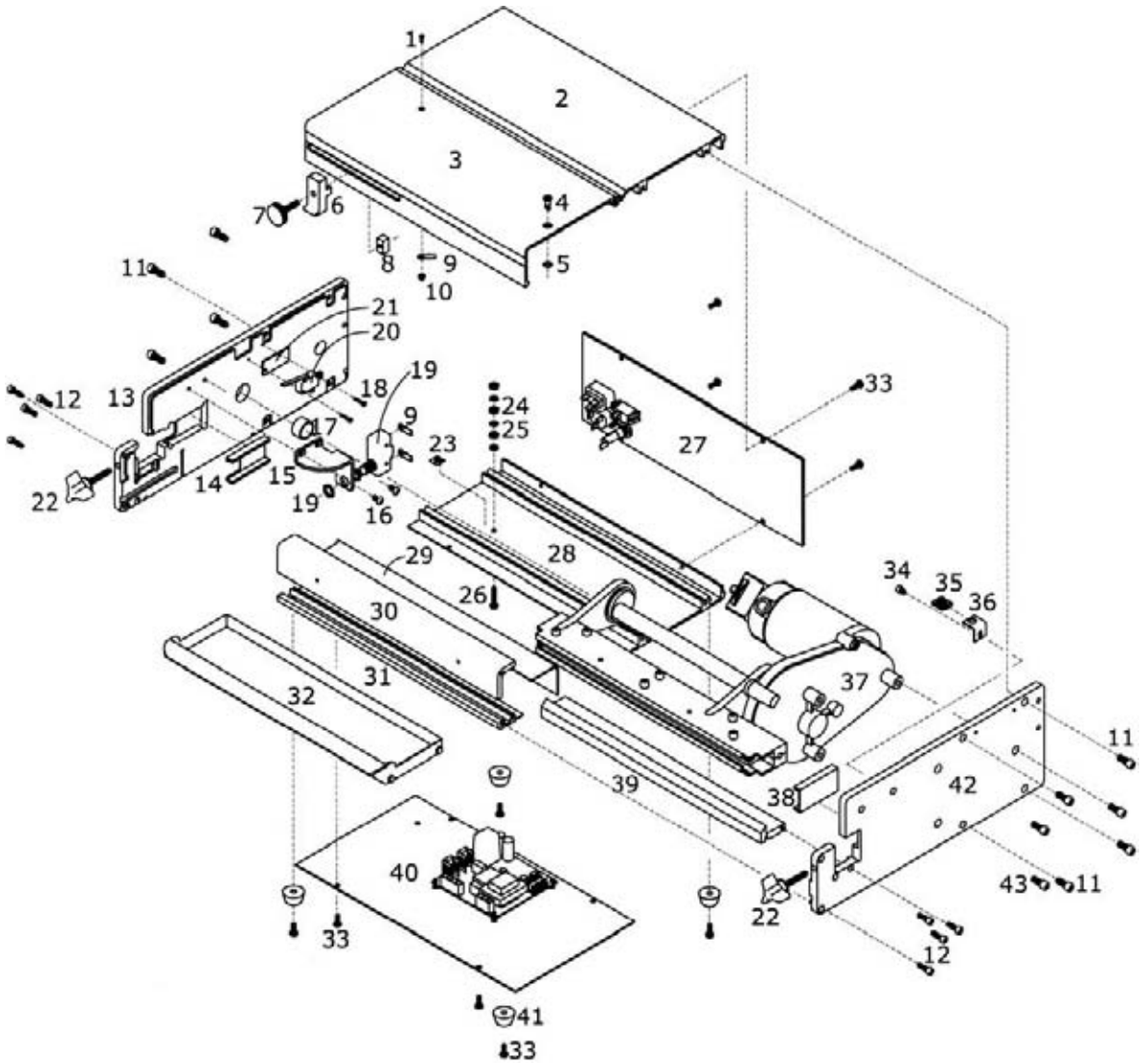
4000
Final Assembly, Machine
Page 4

<u>Item #</u>	<u>PDi P/N</u>	<u>Qty</u>	<u>Description</u>
1	040270	1 ea	Decal, Rhin-0-Tuff OD4000
2	001125	1 ea	Decal, Rhin-0-Tuff
3	001155	1 ea	Decal, Receptacle
4	001145	1 ea	Decal, Fuse 5.OA 250V MDL
5	001146	1 ea	Decal, Caution Fuse
6	001188	1 ea	Decal, Caution Electrical Panel
7	001136	1 ea	Decal, Serial Label 4000

4000 Parts Book

Page 4

- 4000 Final Assembly, Machine -



4000 Parts Book

Page 5

- 4000 Final Assembly, Machine -
Index

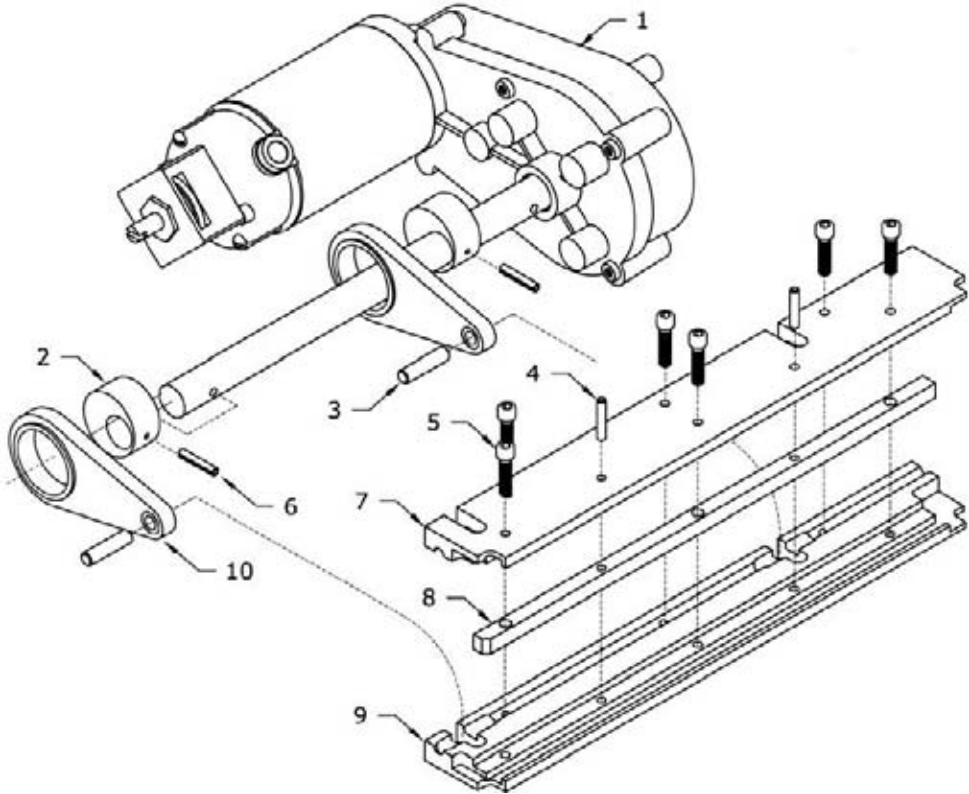
<u>Item #</u>	<u>PDi PIN</u>	<u>Qty</u>	<u>Description</u>	<u>Notes</u>
1	002370	1 ea	FHMS, 4-40 X 3/8	
2	040090	1 ea	Plate, Top	
3	040040	1 ea	Cover, Front	
4	001157	1 ea	Screw, Lock Safety Fastener	
5	001158	1 ea	Keeper, Safety Fastener	
6	071930	1 ea	Stop, Paper 7000/6500 Scribe	
7	001134	1 ea	Knob, Studded 1/4-20 X 1	
8	052510	1 ea	Versaswitch Nut	
9	007930	3 ea	Adapter, Ring To 1/4" Spade	
10	004050	1 ea	Nut. 4-40 Nylock	
11	002450	8 ea	SHCS, Taptite 1/4-20 X 5/8 T30 - TORX 11 Per IFI	
12	002440	8 ea	SH STL Taptite 10-24 X 5/8 T27 - TORX Per IFI	
13	040730	1 ea	Sideplate, Left 4000CE/4800	
14	040140	1 ea	Bushing, Delrin Pushbar Left	
15	040700	1 ea	Bracket, Stop Switch 4000	
16	002350	2 ea	BHSHCS, 10-24 X 3/8	
17	040470	1 ea	Bushing, Oillite 3/4id X 7/8od X 1/2 Wide	
18	002480	2 ea	PPHMS, 4-40 X 5/8	
19	007830	1 ea	Switch, One Cycle WP700/PMPXa	
20	007960	1 ea	Switch, Versaswitch I I	
21	001151	1 ea	Insulator, Switch	
22	004050	1 ea	Kit, Knob 4000	
	001212	2 ea	Knob, 1/4-20 X 1.1/2 Three Arm	
23	001203	1 ea	Decal, Ground Universal	
24	004160	3 ea	Nut, 10-32 Finish	
25	003190	3 ea	Washer, Star #10	
26	005410	1 ea	PPHMS, 10-32 X 1	
27	040770	1 ea	Assy, Back Panel 4000	Page a
28	040170	1 ea	Plate, Bottom	
29	040310	1 ea	Guard, Chip Drawer	
30	040050	1 ea	Front, Top	
31	040030	1 ea	Front, Bottom	
32	001223	1 ea	Drawer, Vacuum Formed W/Holes	
33	002060	12 ea	PPHMS, 10-32 X 1/2 Type F Self Tapper	
34	005180	1 ea	SHCS, 10-24 X 1/4	
35	001159	1 ea	Receptacle, Safety Fastener	
36	040760	1 ea	Bracket, Stop Switch Blackened	
37	040490	1 ea	Assy, Motor OD 4000	Page 6, 7
38	040240	1 ea	Bushing, Pushbar Right	
39	040100	1 ea	Mount, Die	
40	040780	1 ea	Assy, Bottom Panel 4000	Page 9
41	001050	4 ea	Foot, Rubber Screw Mount	
42	040070	1 ea	Side, Plate Right	
43	005200	3 ea	SHCS, 114-20 X 5/8	

4000 Parts Book

Page 6

PDi P/N 040490

- Assembly, Motor OD 4000 -

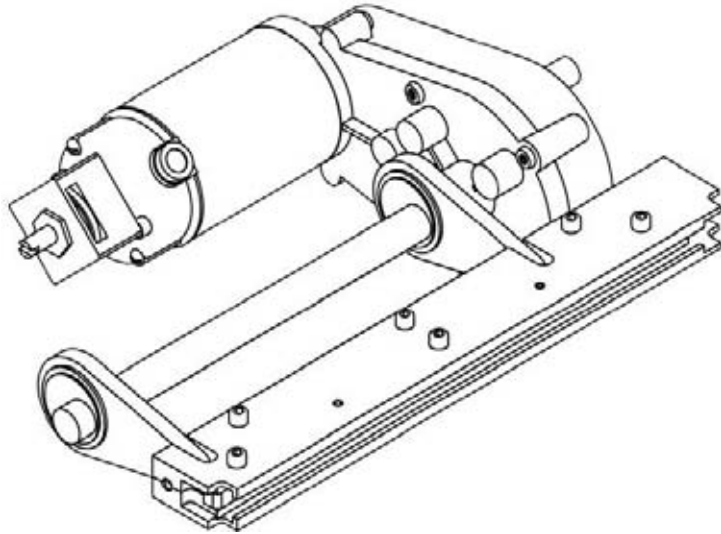


4000 Parts Book

Page 7

PDi P/N 040490

- Assembly, Motor OD 4000 -
Index



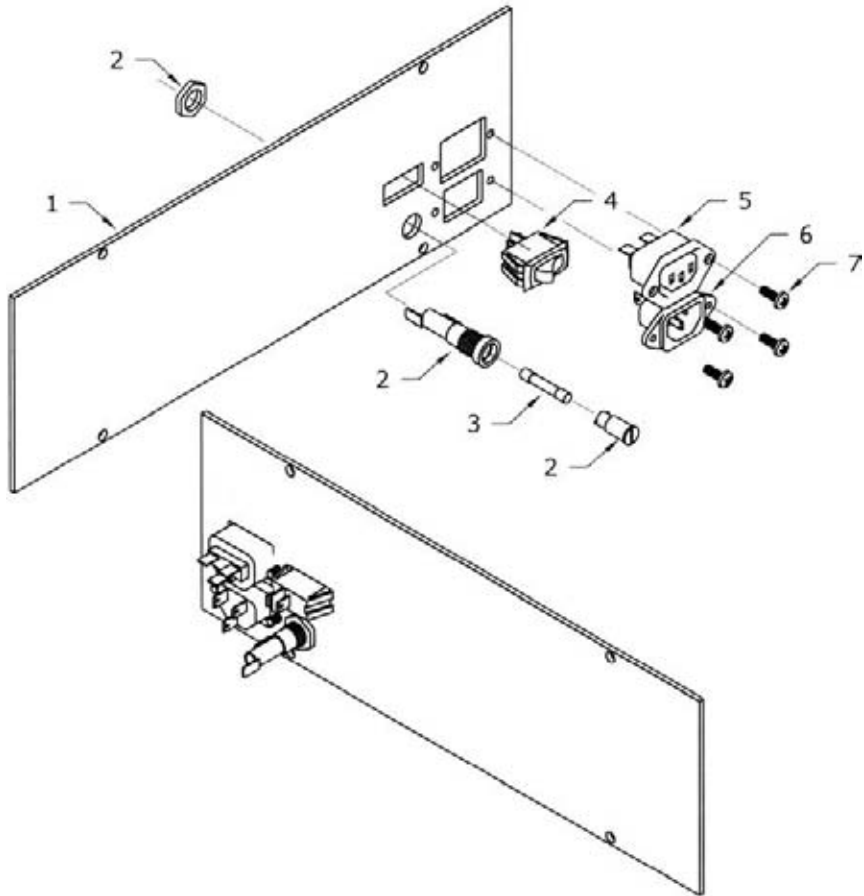
<u>Item #</u>	<u>PDi P/N</u>	<u>Qty</u>	<u>Description</u>	<u>Notes</u>
1	008000	1 ea	Motor, Von Weise DC-Fasco	
2	040110	2 ea	Cam, Connecting Rod	
3	001063	2 ea	Pin, Dowel 5/16 X 1-1/4	
4	005090	2 ea	Pin, Dowel 3/16 X 1	
5	005040	6 ea	SHCS, 1/4-20 X 1	
6	001095	2 ea	Pin, Roll 3/16 X 1	
7	048180	1 ea	Pushbar, Top Slide In Die	
8	048160	1 ea	Bar, Pin Backup 4000/4800	
9	048170	1 ea	Pushbar, Bottom 4800 Slide In Die	
10	040530	2 ea	(Sub) Assy, Connecting Rod 4000	
	040080	1 ea	Rod, Connecting	
	040460	1 ea	Bushing, Oillite 1.500id X 1.750od	
	040300	1 ea	Bushing, Oillite .314id X .500od	
11	007111	2 ea	Connector, Pin 14-20 Ga Molex (Motor)	Not Shown
12	007112	2 ea	Connector, Pin 18-24 Ga Molex (Break)	Not Shown

4000 Parts Book

Page 8

PDi P/N 040770

- Assembly, Back Panel 4000 -



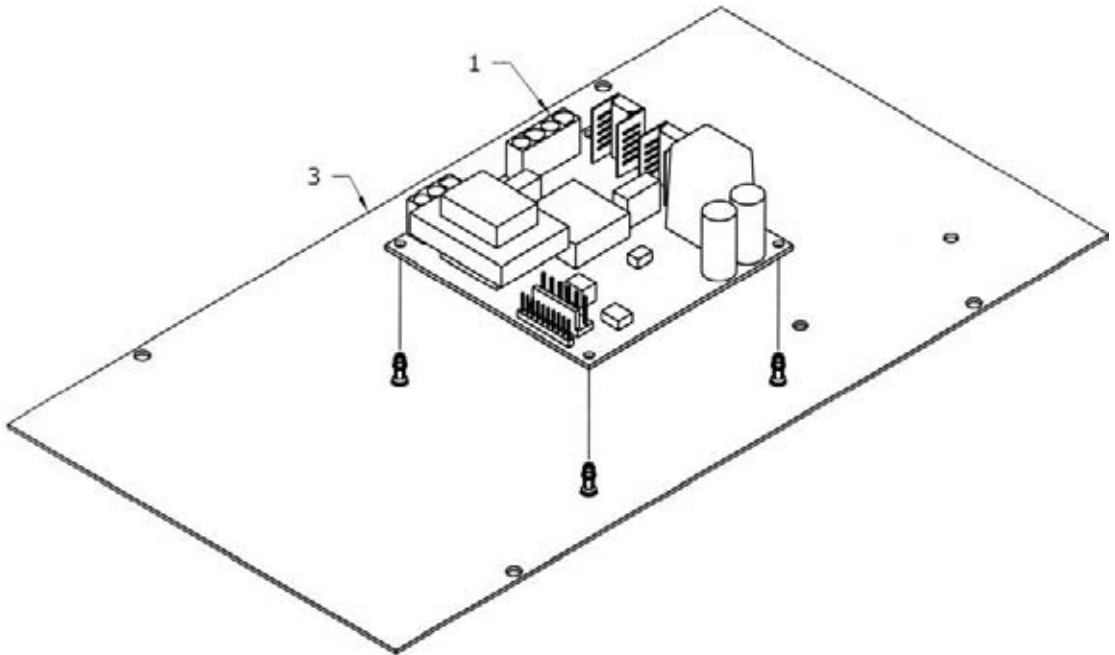
<u>Item #</u>	<u>PDi P/N</u>	<u>Qty</u>	<u>Description</u>
1	040710	1 ea	Panel, Electrical UL 4000
2	007000	1 ea	Fuse, Holder
3	007029	1 ea	Fuse, MDL 5
4	007060	1 ea	Switch, On-Off
5	007040	1 ea	Receptacle, Cord Foot Pedal
6	007050	1 ea	Receptacle, Cord Power
7	002060	4 ea	PPHMS, 10-32 X 1/2, Type F Self Tapper

4000 Parts Book

Page 9

PDi P/N 040780

- Assembly, Bottom Panel 4000 -



<u>Item #</u>	<u>PDi P/N</u>	<u>Qty</u>	<u>Description</u>	<u>Notes</u>
1	040970	1 ea	PCA, Control Board UL	
	040980	1 ea	PCA, Control Board CE	
2	040190	1 ea	Assy, Wire Harness 4000 UL	
3	040690	1 ea	Panel, Bottom Wi PC Board Mts	

Page 11

4000 Parts Book

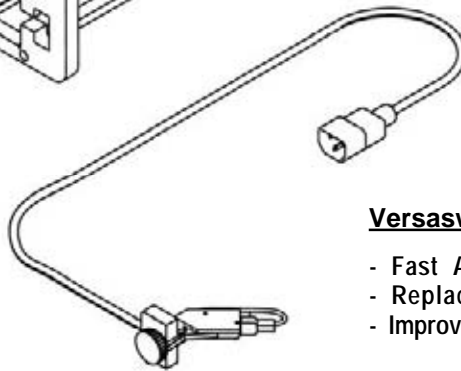
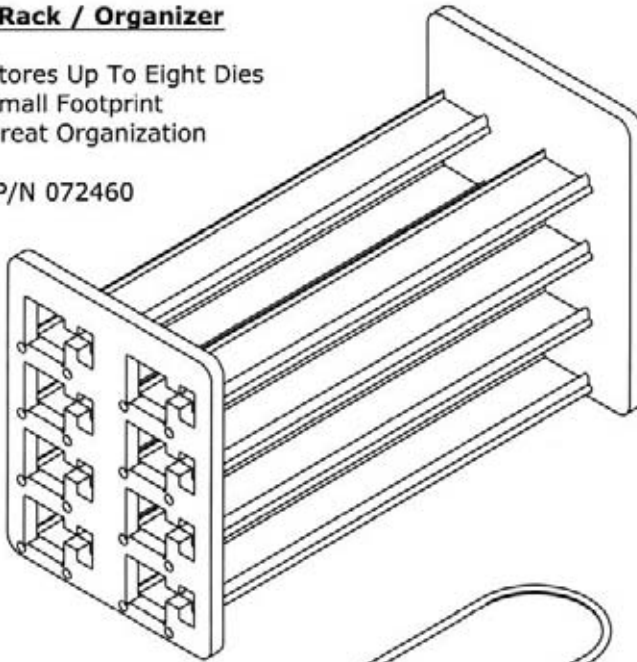
Page 10

- 4000 Accessories -

Die Rack / Organizer

- Stores Up To Eight Dies
- Small Footprint
- Great Organization

PDi P/N 072460



Versaswitch II

- Fast Accurate Operation
- Replaces Foot Pedal
- Improves Throughput

UL - PDi P/N 072180

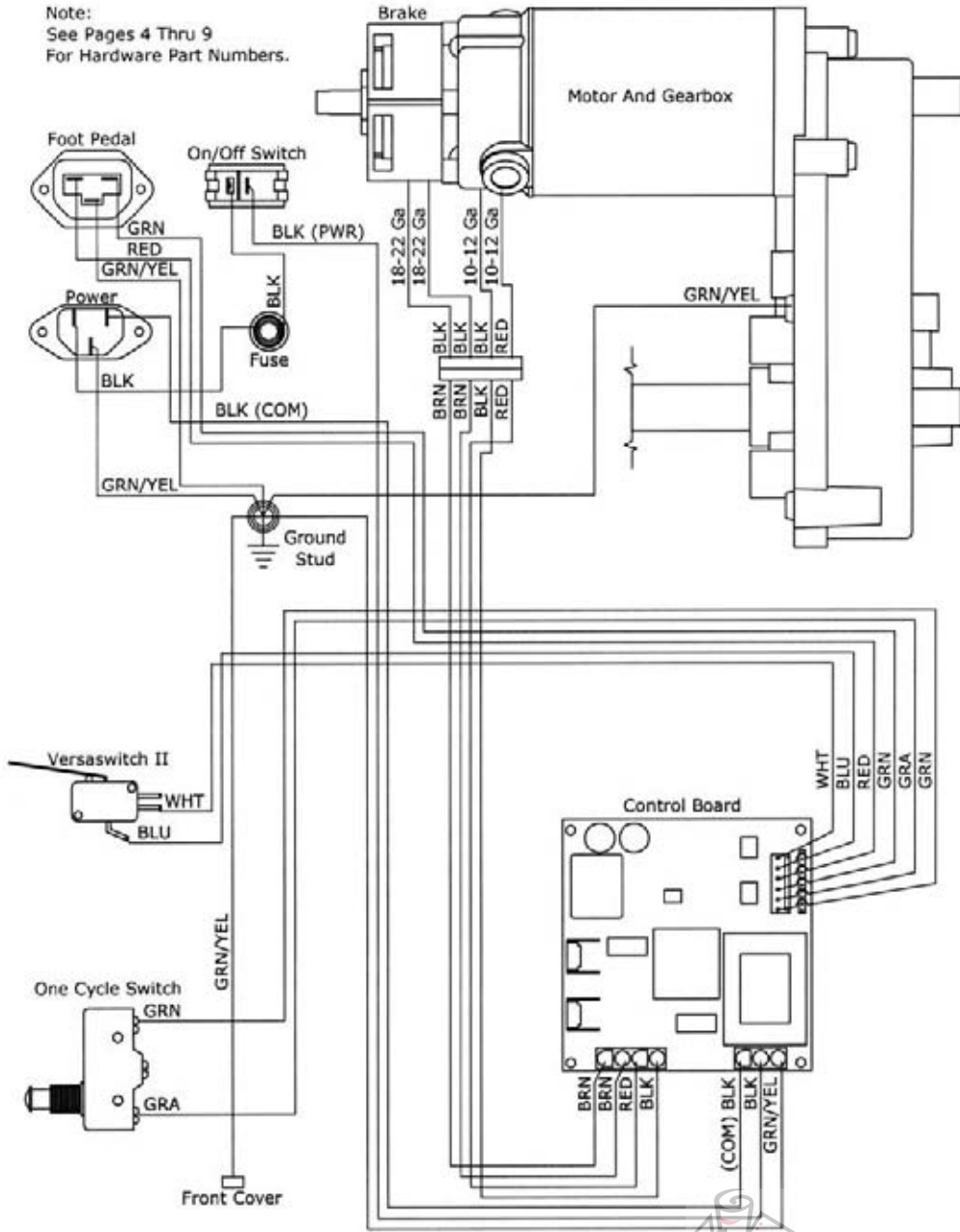
non UL - PDi P/N 071670

4000 Parts Book

Page 11

PDi P/N 040190 (Assy, Wire Harness)
- 4000 Schematic UL -

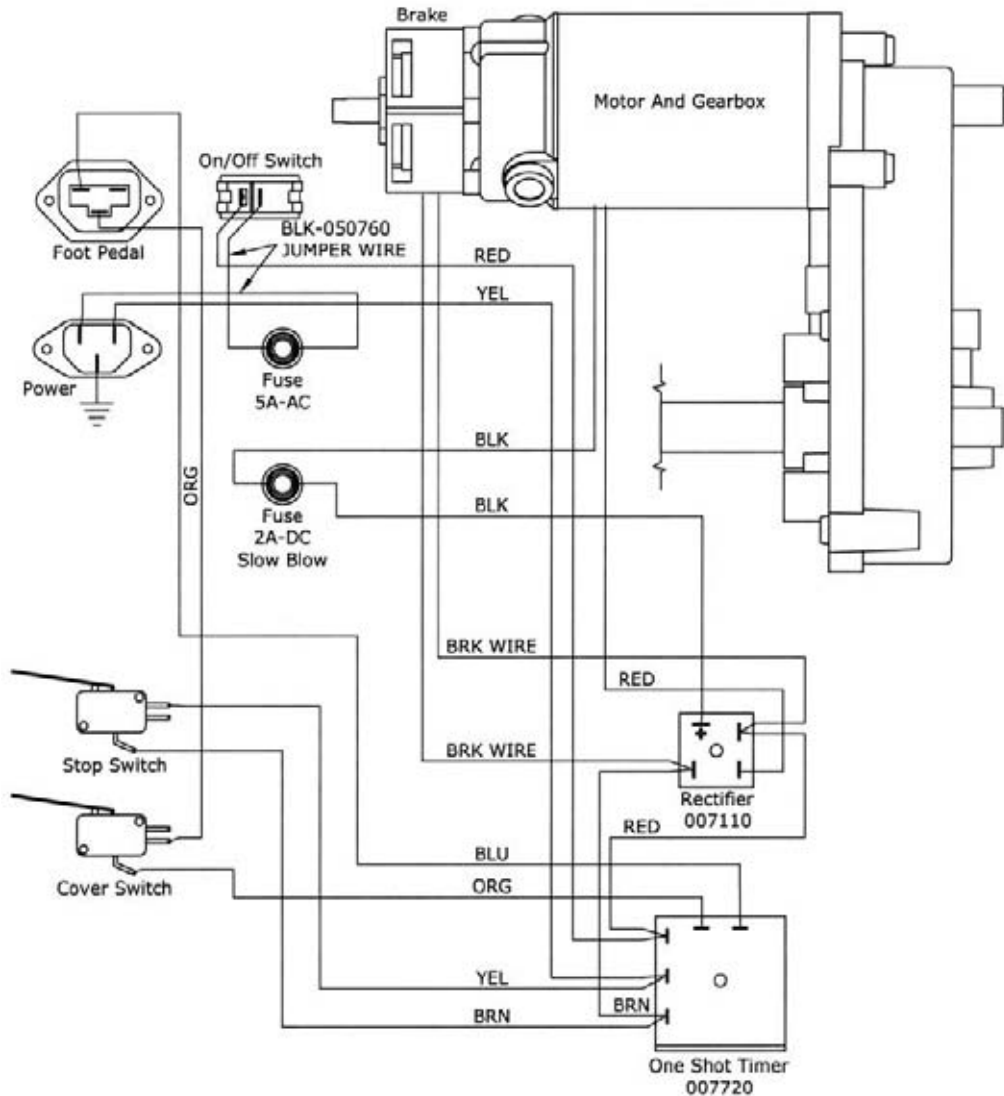
Note:
See Pages 4 Thru 9
For Hardware Part Numbers.



4000 Parts Book

Page 12

- 4000 Schematic Pre UL -



We Have it All...



MyBinding.com *When Image Matters.*

Guaranteed Lowest Prices on an
Endless Selection of Binding Systems, Laminators,
Paper Shredders, Supplies and Accessories.

We have you covered with Expert Advice
and Support. Our popular blog keeps you up to
date on the latest tips and techniques to make
your most important binding and laminating
tasks a success.

Call Us Today

1-800-944-4573

Our Trusted Partners

GBC / Ibico
Fellowes
Powis Fastback
Unibind
Akiles
Renz
Tamerica
Rhin-O-Tuff
DFG

Pro-Bind
Martin Yale
MBM
Formax
Intimus
Dahle
HSM
Standard
Xyron

Challenge
Lasko-Wizer
GBC Shredmaster
Avery
Wilson Jones
Cardinal
Samsill
Universal

- BINDING MACHINES
- BINDING SUPPLIES
- LAMINATORS
- I.D. ACCESSORIES
- BOARDS & EASELS
- PAPER SHREDDERS
- XYRON LAMINATORS
- COIL BINDING MACHINES
- UNIBIND BINDING MACHINES
- FASTBACK BINDING EQUIPMENT
- PAPER FOLDING MACHINES
- LAMINATING POUCHES
- ROTARY TRIMMERS
- CLEAR COVERS
- TWIN LOOP WIRE
- REGENCY COVERS
- PLASTIC BINDING COVERS
- VELOBIND BINDING MACHINES
- PAPER HANDLING EQUIPMENT
- THERMAL BINDING MACHINES
- PROCLICK BINDING SYSTEMS
- COMB BINDING MACHINES
- COMB BINDING SUPPLIES
- WIRE BINDING MACHINES
- POUCH LAMINATORS
- LAMINATING ROLLS
- 3-RING BINDERS
- ROLL LAMINATORS
- VELOBIND SPINES
- PAPER CUTTERS
- PAPER JOGGERS
- LETTER OPENERS
- THERMAL COVERS
- UNIBIND SUPPLIES
- PROCLICK SPINES
- ZIPBIND SPINES
- LINEN COVERS
- SPIRAL COIL
- INDEX TABS

