

RhinoTuff HD7700 Electric Punch

Parts Book



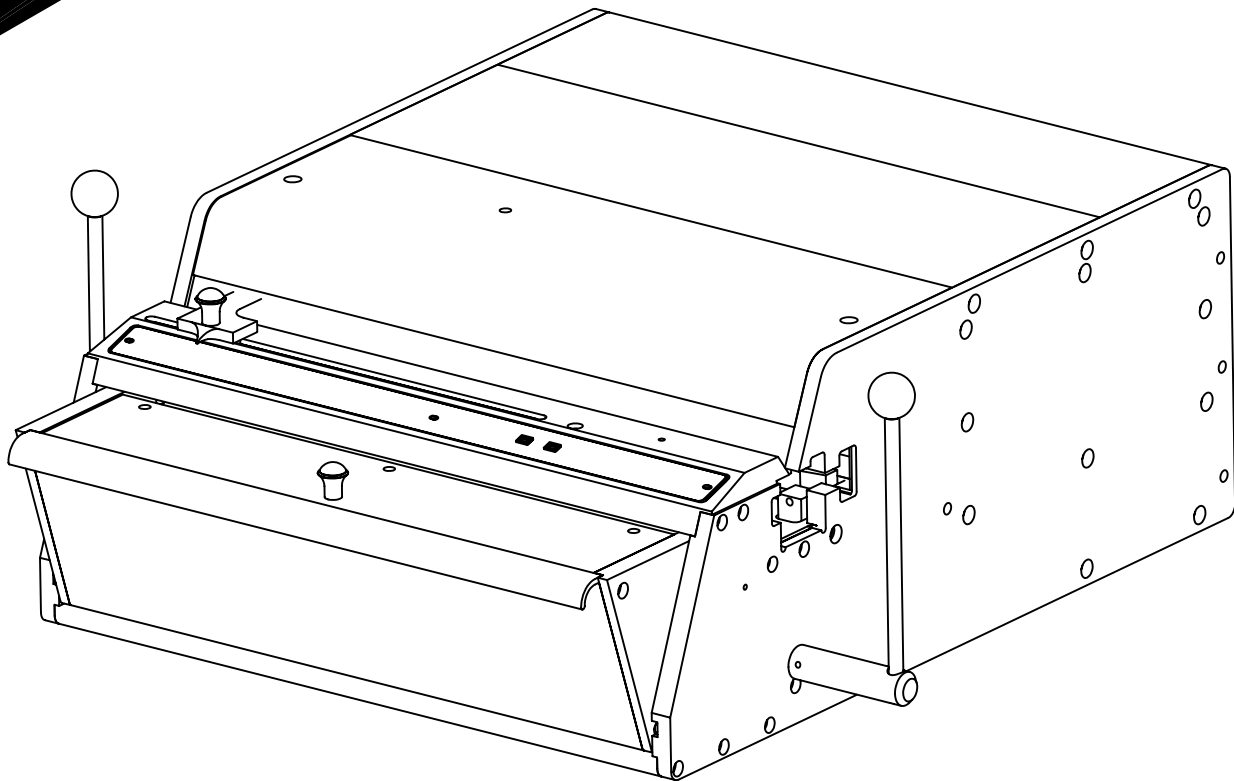
Provided By

MyBinding.com®
When Image Matters.

PDI Performance Design Inc.

7700 PARTS BOOK UL BOOK CE

14" Heavy Duty
Open End Electric Punch



Mailing Address: 2350 E. Braniff, Boise, Idaho 83716-9613

Telephone: 800-390-5782

Fax: 800-390-5783

Electronic Mail: PDI@PDIBIND.com

Web Site: www.RHIN-O-TUFF.com

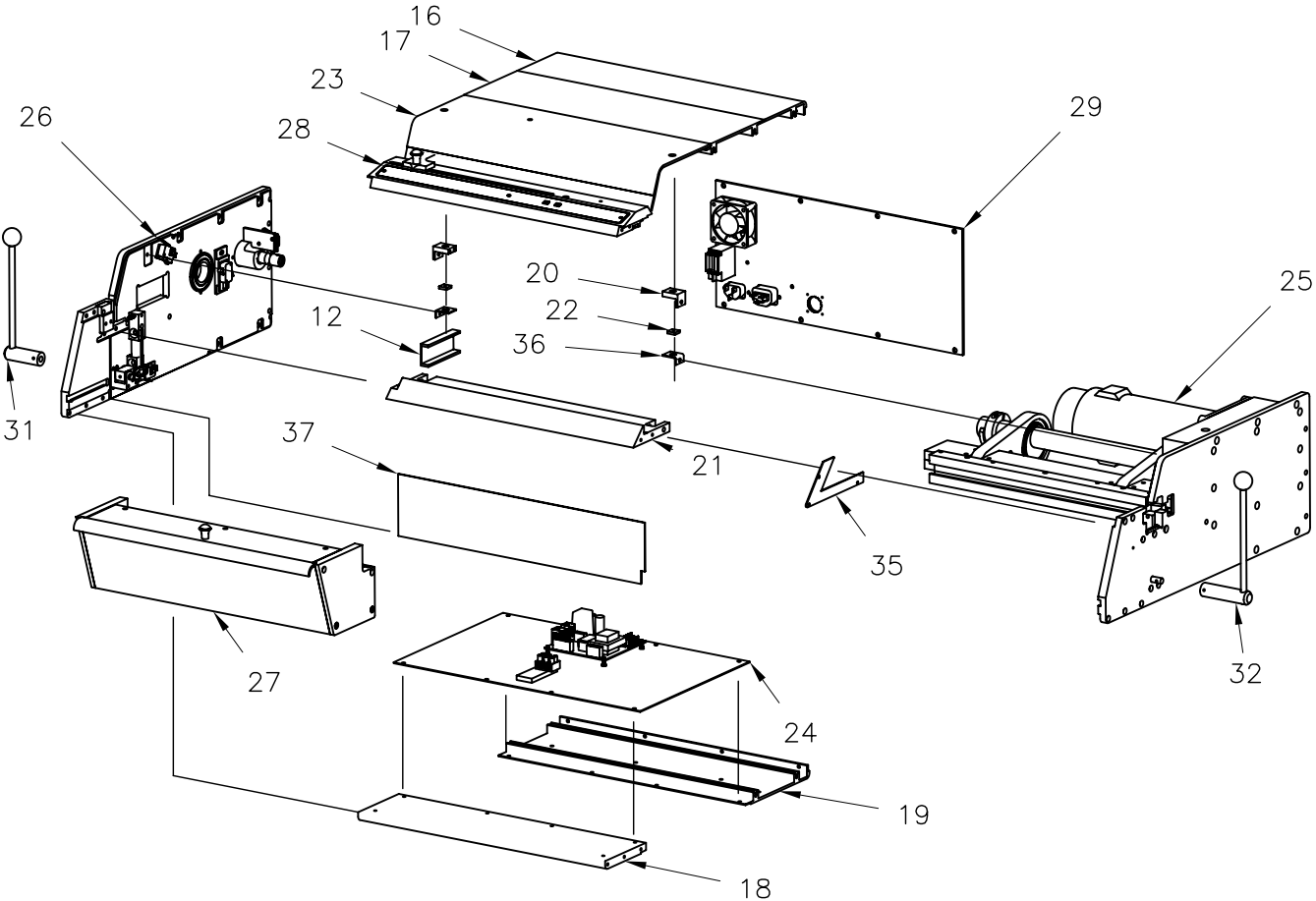


HD-7700 PARTS BOOK

Page 1

PDi P/N 7700 (7700 CE)

- Assembly, Main 7700 -



HD-7700 PARTS BOOK

Page 2

PDi P/N 7700 (7700 CE)

- Assembly, Main 7700 -

Index

Parts List				
ITEM	QTY	PART NUMBER	DESCRIPTION	NOTE
1	1	001105	DECAL,CRUSH HAZARD, RECTANGLE	Not Shown
2	2	001106	DECAL,VOLTAGE HAZARD	Not Shown
3	1	001125	DECAL,RHIN-O-TUFF	Not Shown
4	1	001155	DECAL,RECEPTICLE	Not Shown
5	1	001146	DECAL,CAUTION FUSE	Not Shown
6	1	001318	DECAL,PATENT 3 NUMBER DIE HDL.	Not Shown
7	1	001576	DECAL,VELO IS A REG. TRADEMK	Not Shown
8	1	001583	DECAL,SERIAL LABEL HD 7700	Not Shown
9	1	001750	LABEL,MADE IN THE U.S.A.	Not Shown
10	1	007031	ASSY,FOOT PEDAL CE/UL	Not Shown
11	1	007090	CORD, POWER 18 GA.	Not Shown
12	1	070240	BUSHINGS,SIDEPLATE HD 7000	
13	2	071580	DECAL,LOCK WP 7000	Not Shown
14	2	071590	DECAL,LOCK WP 7000	Not Shown
15	1	077000	BOOK,INSTRUCTION HD-7700	Not Shown
16	1	077010	PLATE,TOP REAR	
17	1	077020	PLATE,MIDDLE TOP PLATE W/O	
18	1	077070	PLATE,BOTTOM FRONT	
19	1	077130	BOTTOM,PLATE	
20	2	077220	BLOCK,SAFETY LATCH	
21	1	077230	PLATE,DIE SUPPORT 7700	
22	2	077240	NUT,8-32 .500 X .500 X .125THK	
23	1	077390	COVER,FRONT	
24	1	077440	ASSY, BOTTOM COVER 7700	See Page 3
25	1	077450	ASSY, GEARBOX HD 7700	See Page 4
26	1	077460	ASSY, LEFT SIDEPLATE	See Page 6
27	1	077470	ASSY, DRAWER 7700	
28	1	077480	ASSY, PAPER STOP ADJ. PLATE	See Page 8
29	1	077490	ASSY, BACK PANEL 7700	See Page 10
30	1	077770	ASSY,PALM SWITCH FOR 7700/7000	Not Shown
31	1	077780	ASSY, HANDLE LEFT 7700	
32	1	077790	ASSY, HANDLE RIGHT 7700	
33	1	977120	LABEL,LIFT & MOVE KNOB MAJOR	Not Shown
34	1	977130	LABEL,TURN KNOB MINOR ADJ.	Not Shown
35	1	977210	PLATE,SIDE WIREWAY	
36	2	977220	RETAINER,SAFETY LATCH NUT	
37	1	977230	PLATE,SAFETY	
38	1	977370	LABEL,PAPER POINT GUIDE	



Performance Design Inc.



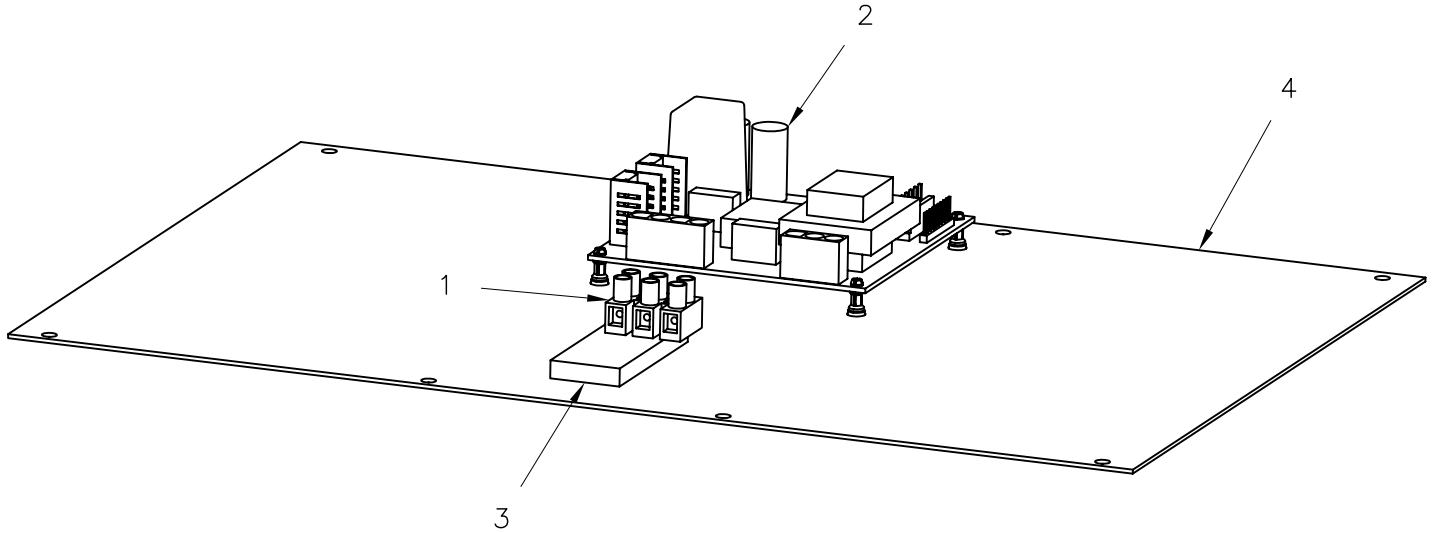
MyBinding.com

HD-7700 PARTS BOOK

Page 3

PDi P/N 077440 (077820 CE)

- Assembly, Bottom Cover -



Parts List

ITEM	QTY	PART NUMBER	DESCRIPTION	NOTE
1	1	007054	STRIP,TERMINAL 3 POLE	
2	1	007986	PCA,CONTROL BOARD 7000 UL2	P/N 007988 CE 230V
3	1	077610	PLATE,RECEPRICAL MOUNT	
4	1	977110	COVER,BOTTOM	



Performance Design Inc.



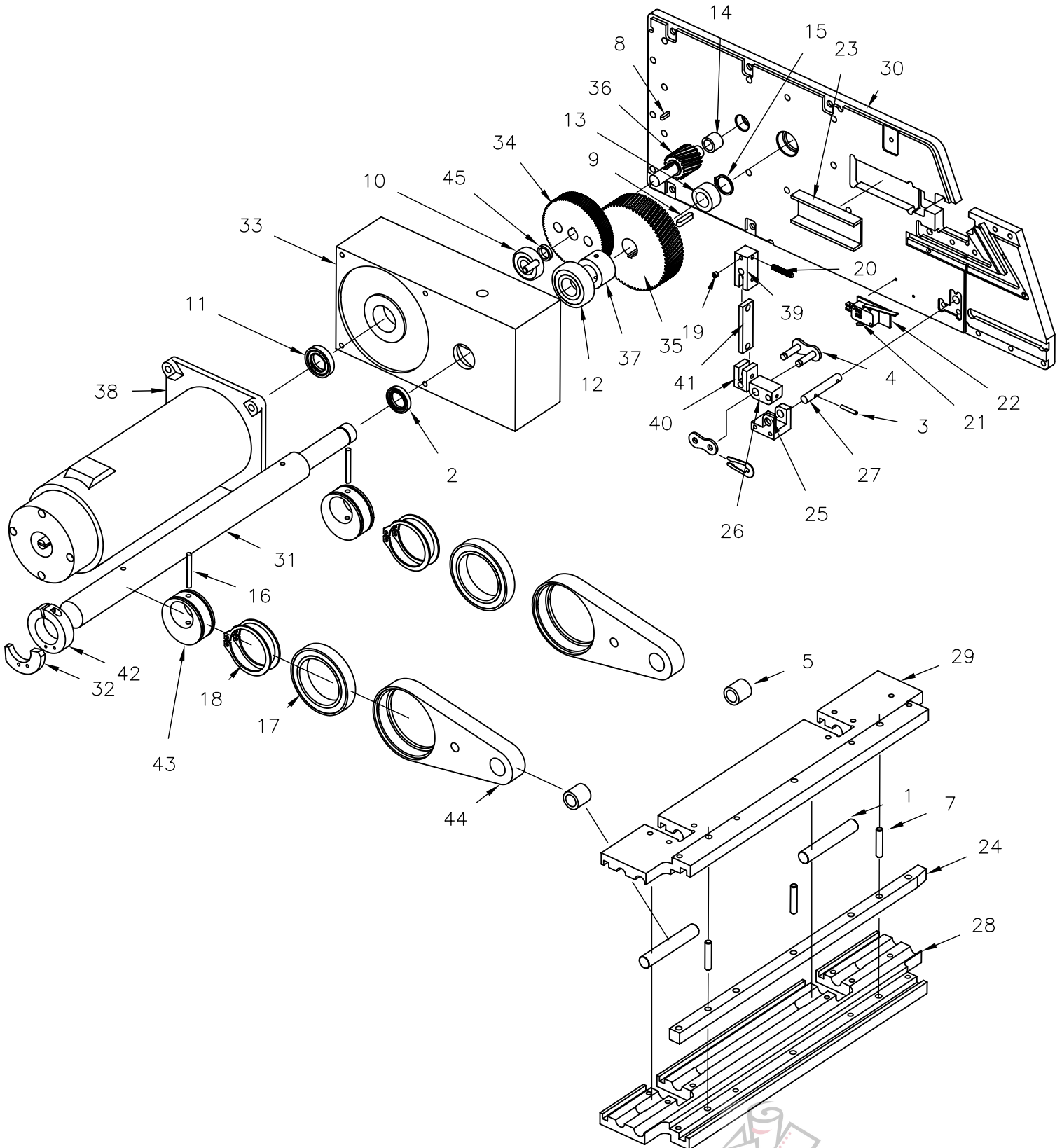
2350 E. Braniff, Boise, Idaho 83716 / 800-390-5782 / PDI@PDIBIND.com / www.RHIN-O-TUFF.com

HD-7700 PARTS BOOK

Page 4

PDi P/N 077450 (077090 CE)

- Assembly, Gear Box -



HD-7700 PARTS BOOK

Page 5

PDi P/N 077450 (077980 CE)

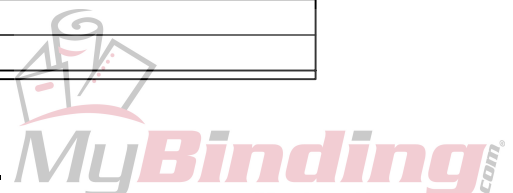
- Assembly, Gear Box -

Index

Parts List				
ITEM	QTY	PART NUMBER	DESCRIPTION	NOTE
1	2	001020	PIN,DOWEL 1/2 X 3"	
2	1	001049	SEAL, GEARBOX SHAFT 7000	
3	1	001062	PIN,ROLL 1/8 X 3/4"	
4	1	001330	#60 MASTERLINK, SPRING CLIP	
5	2	001390	BUSHING,OILITE	
7	3	001400	PIN,DOWEL 1/4 X 1.1/4"	
8	1	001413	KEY, PINION 7700 GEARBOX	
9	1	001414	KEY, CRANKSHAFT 7700 GEARBOX	
10	1	001415	BEARING,PINION 7700 GEARBOX	
11	1	001416	SEAL, MOTOR 7700 GEARBOX	
12	1	001417	BEARING, CRANKSHAFT 7700	
13	1	001418	BUSHING,5/8 X 1 X 1/2 LONG	
14	1	001419	BUSHING,7/16 X 5/8 X 1/2 LONG	
15	1	001421	RING, EXTERNAL RETAINING 3/4"	
16	2	001422	PIN,GROOVE 3/16 X 1 1/2"	
17	2	001458	BEARING,BALL CONNECT ROD 7700	
18	4	001465	RING,RETAINING EXTERNAL 50 MM	
19	1	005311	SC,SHSS 10-32 X 3/16	
20	1	002320	SC,SHSS 10-32 X 1 1/4 HALF DOG	
21	1	007960	SWITCH, VERSASWITCH II	
22	1	001151	INSULATOR,SWITCH	
23	1	070240	BUSHINGS,SIDEPLATE HD 7000	
24	1	070260	BAR, PIN BACKUP HD 7000	
25	1	070280	BASE, CLAMP RIGHT 7000/7700	
26	1	070290	PIVOT, CLAMP 7000/7700	
27	1	070300	SHAFT, CLAMP HD 7000	
28	1	077030	PUSHERBAR,BOTTOM HD7700	
29	1	077040	PUSHERBAR,TOP 7700	
30	1	077050	PLATE,SIDE RIGHT	
31	1	077140	CRANKSHAFT,7700	
32	1	077360	CAM,SWITCH	
33	1	077500	GEARBOX,7700	
34	1	077510	GEAR, 90T. 32 D.P. HIGH SPEED	
35	1	077520	GEAR, 69T. 20D.P.	
36	1	077530	GEAR, 18T. 20D.P.	
37	1	077540	SPACER,LOW SPEED GEAR	
38	1	077550	MOTOR,BALDOR 1/2 HP W/BRAKE	P/N 077555 CE 230V
39	1	077570	BLOCK,CLAMP LEVER TOP SPRING	
40	1	077580	BLOCK,CLAMP LEVER BOTTOMSPRING	
41	1	077590	SPRING,LEVER CLAMP	
42	1	077620	COLLAR,CAM SWITCH 7700	
43	2	077630	CAM,CONNECTING ROD 7700	
44	2	077640	ROD,CONNECTING 7700	
45	1	077660	SPACER,HIGH SPEED GEAR BEARING	



Performance Design Inc.

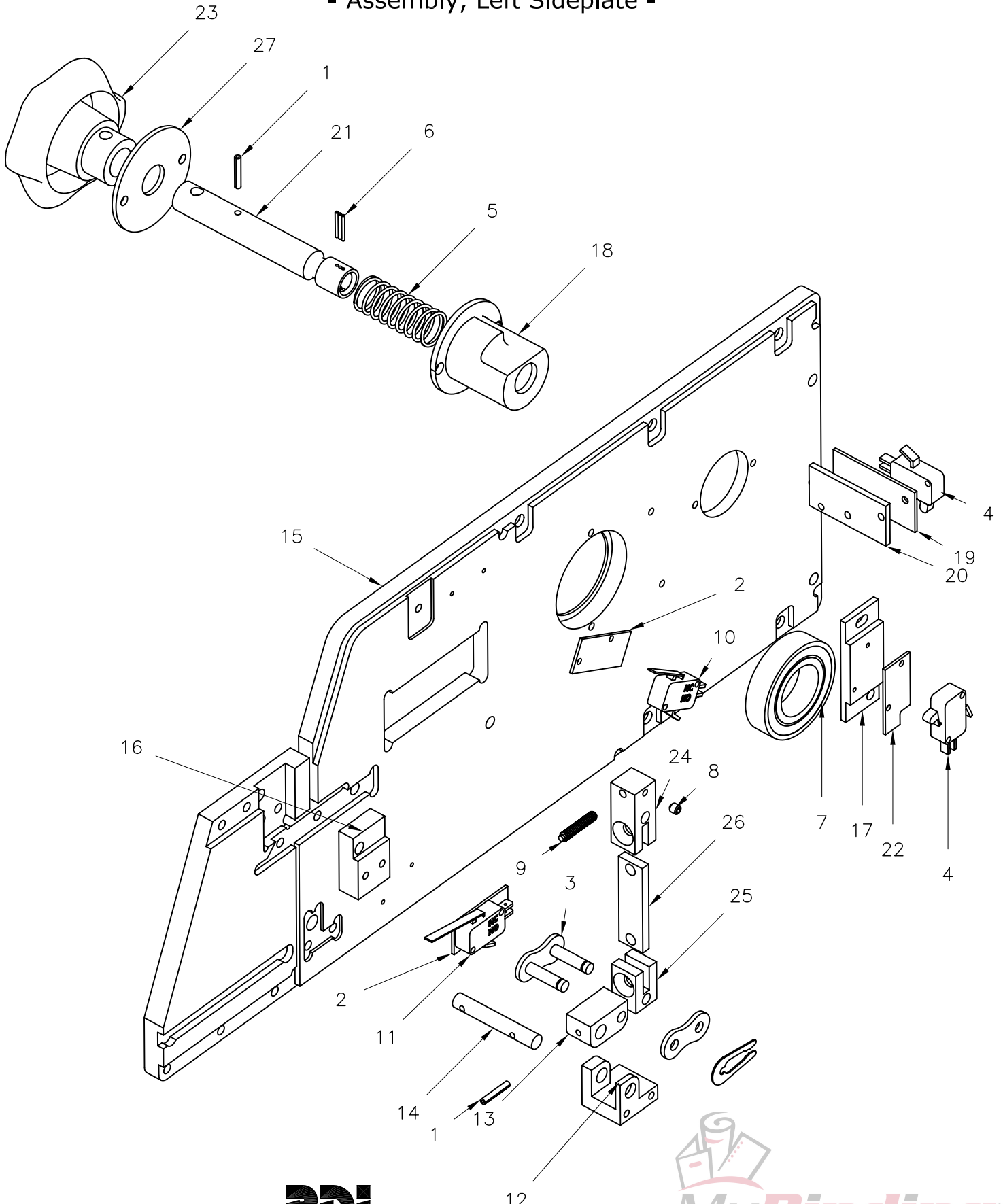


HD-7700 PARTS BOOK

Page 6

PDi P/N 077460 (077650 CE)

- Assembly, Left Sideplate -



HD-7700 PARTS BOOK

Page 7

PDi P/N 077460 (077650 CE)

- Assembly, Left Sideplate -
Index

Parts List				
ITEM	QTY	PART NUMBER	DESCRIPTION	NOTE
1	2	001062	PIN,ROLL 1/8 X 3/4"	
2	2	001151	INSULATOR,SWITCH	
3	1	001330	#60 MASTERLINK, SPRING CLIP	
4	2	001406	SWITCH,MINIATURE ROLLER LEVER	
5	1	001424	SPRING, REVERSE 7700	
6	3	001435	PIN,DOWEL 1/16 X 5/8	
7	1	001457	BEARING,7700 LEFT SIDEPLATE	
8	1	005311	SC,BRASS PSS 8-32 X 3/16L	
9	1	002320	SC,SHSS 10-32 X 1 1/4 HALF DOG	
10	1	007240	SWITCH, SAFETY	
11	1	007960	SWITCH, VERSASWITCH II	
12	1	070210	BASE, CLAMP LEFT 7000/7700	
13	1	070290	PIVOT, CLAMP 7000/7700	
14	1	070300	SHAFT, CLAMP HD 7000	
15	1	077060	PLATE,SIDE LEFT	
16	1	077260	BLOCK,DIE STOP	
17	1	077300	BLOCK,STOP SWITCH MOUNT	
18	1	077320	BODY,REVERSING TOOL	
19	1	077330	PLATE,REVERSING TOOL SW INSUL	
20	1	077340	PLATE,REVERSING TOOL SWITCH	
21	1	077350	SHAFT,REVERSING TOOL	
22	1	077430	INSULATOR,SWITCH 7700	
23	1	077560	KNOB, REVERSING 7700 MACHINED	
24	1	077570	BLOCK,CLAMP LEVER TOP SPRING	
25	1	077580	BLOCK,CLAMP LEVER BOTTOMSPRING	
26	1	077590	SPRING,LEVER CLAMP	
27	1	977320	PLATE,REVERSING TOOL FACE	



Performance Design Inc.



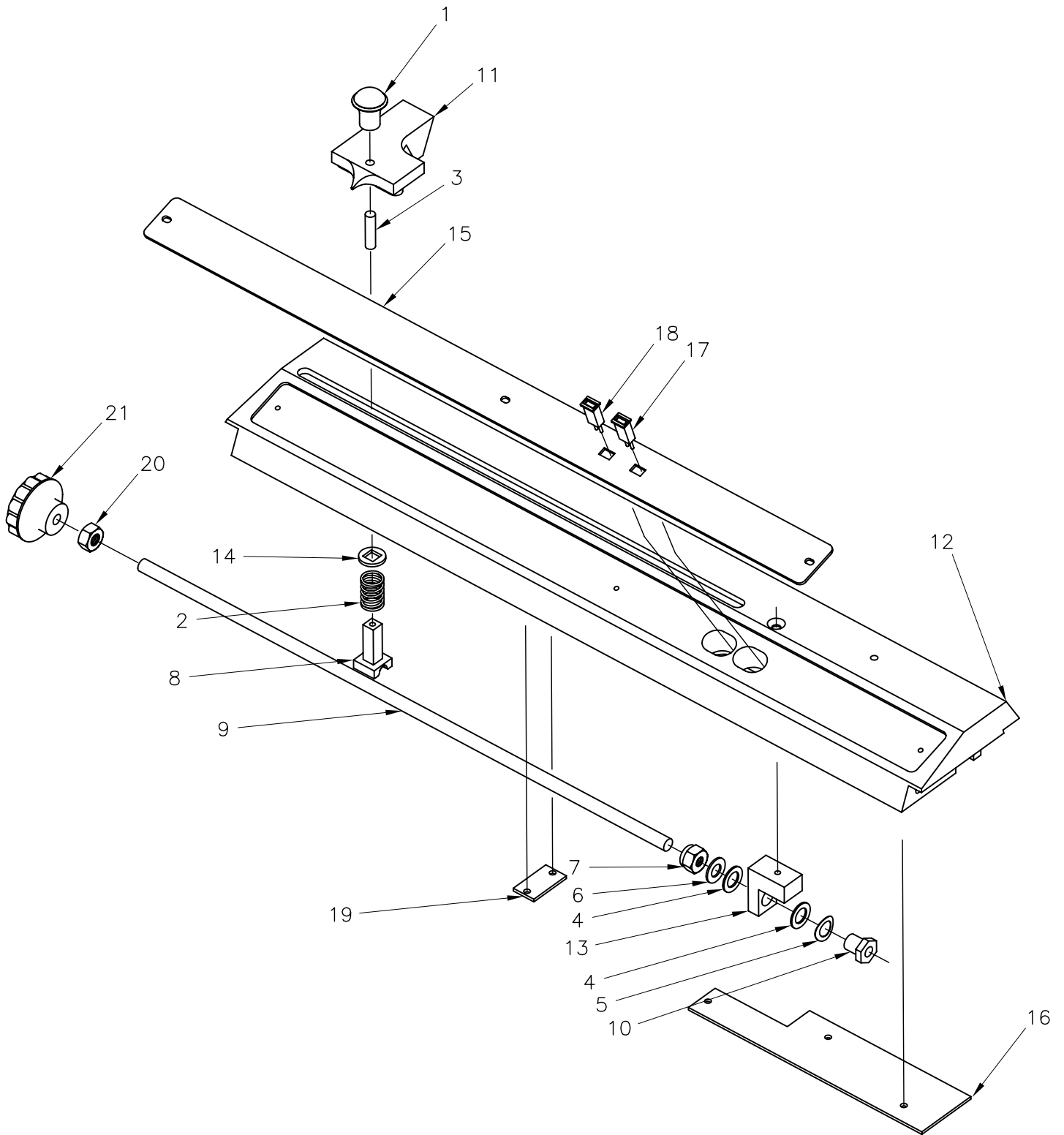
MyBinding.com

HD-7700 PARTS BOOK

Page 8

PDi P/N 077480 (077810 CE)

- Assembly, Paper Stop Adj. PLate -



Performance Design Inc.



2350 E. Braniff, Boise, Idaho 83716 / 800-390-5782 / PDI@PDIBIND.com / www.RHIN-O-TUFF.com

HD-7700 PARTS BOOK

Page 9

PDi P/N 077480 (077810 CE)
- Assembly, Paper Stop Adj. Plate -
Index

Parts List				
ITEM	QTY	PART NUMBER	DESCRIPTION	NOTE
1	1	001261	KNOB,PLASTIC PUSH-PULL 6-32	
2	1	001423	SPRING, PAPER STOP 7700	
3	1	001443	SC,SHSS 6-32 X 3/4"	
4	2	001451	WASHER,TEFLON .312 X .515 .031	
5	1	001452	WASHER,SPRING .315 X .500	
6	1	001453	WASHER,AN .260 X .500 .032T	
7	1	004000	NUT,NYLOCK 1/4-20	
8	1	077100	BOLT,PAPER STOP	
9	1	077110	SHAFT,PAPER STOP ADJUSTMENT	
10	1	077120	NUT,PAPER STOP ADJUSTMENT	
11	1	077190	BLOCK,PAPER POINTER GUIDE	
12	1	077200	BAR,BACKUP & PAPER INDEX GUIDE	
13	1	077250	BLOCK,ADJUSTMENT KNOB	
14	1	077420	WASHER,7700 PAPER STOP ASSY	
15	1	977180	PLATE,INDEX SILK SCREENED	P/N 978180 CE
16	1	977240	PLATE,TOP WIREWAY	
17	1	977330	LED, GREEN 7700 LUMEX 5 VOLT	
18	1	977340	LED, RED 7700 LUMEX 5 VOLT	
19	1	977380	SUPPORT,BACKUP BAR ALLTHREAD	
20	1	004090	NUT 1/4-20	
21	1	001428	KNOB STUDED 1/4 20 FEMALE	



Performance Design Inc.

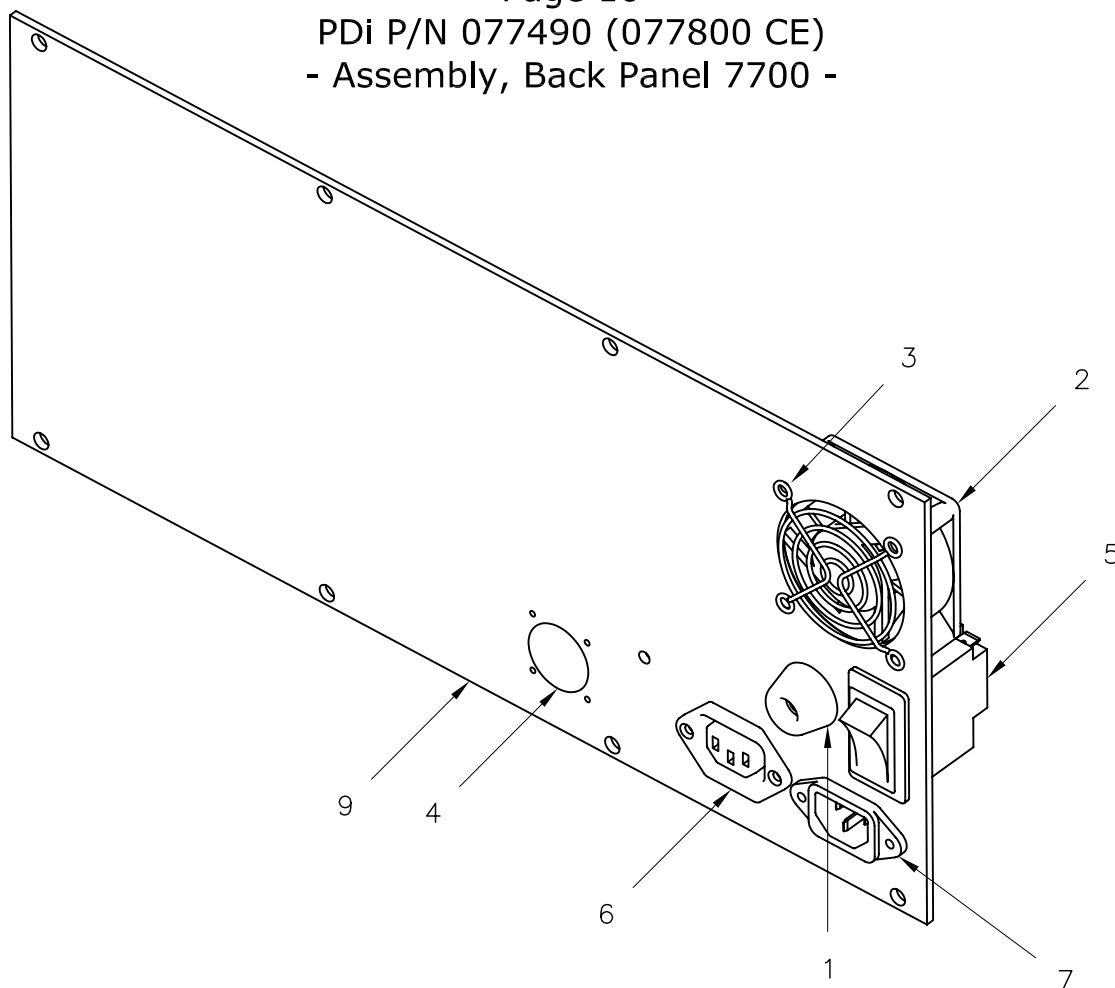


MyBinding.com

HD-7700 PARTS BOOK

Page 10

PDi P/N 077490 (077800 CE)
 - Assembly, Back Panel 7700 -



Parts List				
ITEM	QTY	PART NUMBER	DESCRIPTION	NOTE
1	1	001050	FEET,RUBBER SCREW MOUNT	
2	1	001426	FAN, COOLING 7700	P/N 001455 CE 230V
3	1	001427	GUARD, FAN 7700	P/N 001456 CE
4	1	001445	PLUG,HOLE STEEL 7/8" NICKEL	
5	1	007013	BREAKER,CIRCUIT 10 AMP	P/N 008160 CE 230V
6	1	007040	RECEPTICLE, CORD FOOT PEDAL	
7	1	007050	RECEPTICLE, CORD POWER	
9	1	977350	PANEL,BACK UL 7700	P/N 977140 CE



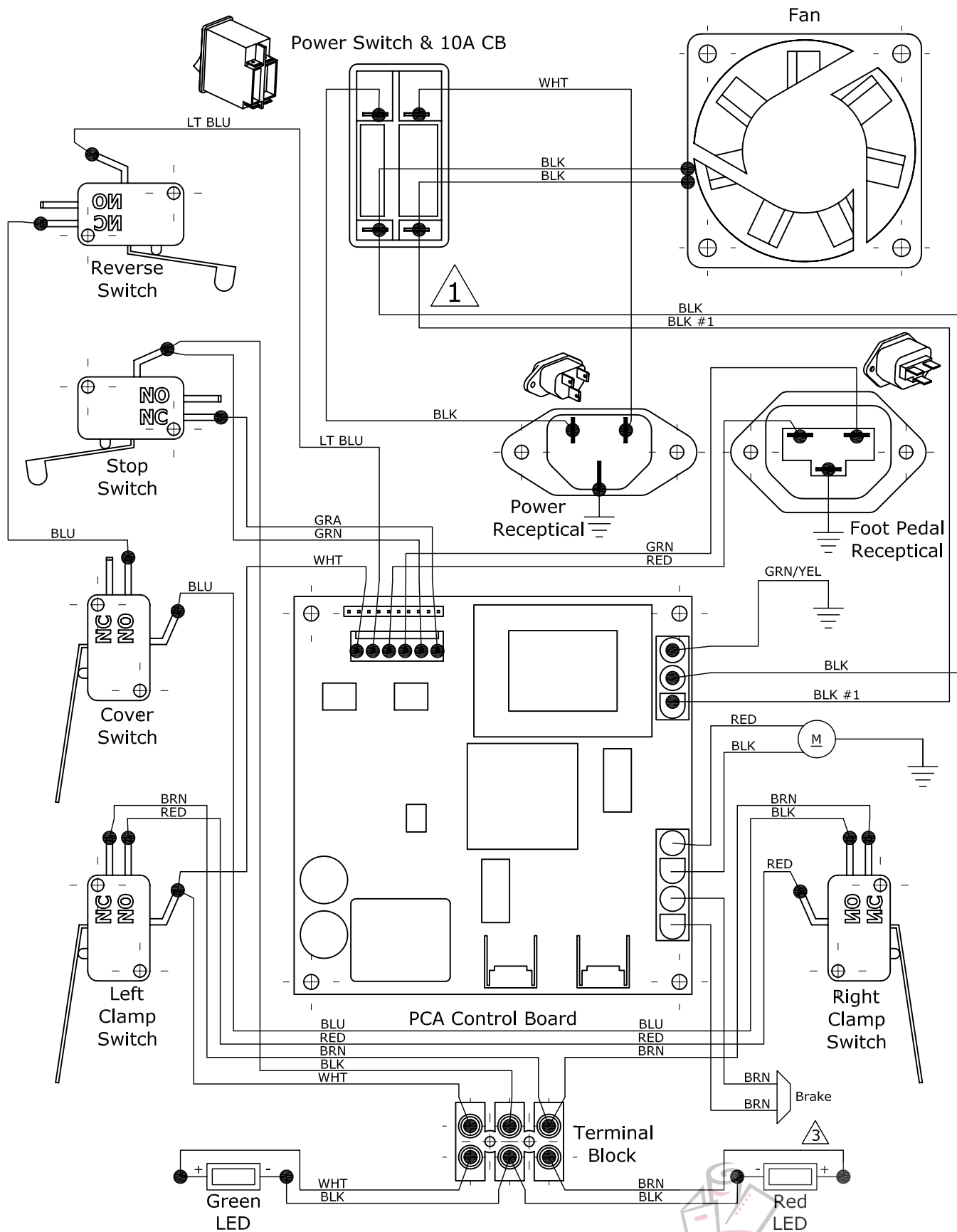
Performance Design Inc.



7700 PARTS BOOK

Dwg. No. 7700S1 Rev 3 11/02

- Schematic, HD7700 UL-



We Have it All...



MyBinding.com

When Image Matters.

Guaranteed Lowest Prices on an
Endless Selection of Binding Systems, Laminators,
Paper Shredders, Supplies and Accessories.

We have you covered with Expert Advice
and Support. Our popular blog keeps you up to
date on the latest tips and techniques to make
your most important binding and laminating
tasks a success.

Call Us Today

1-800-944-4573

Our Trusted Partners

GBC / Ibico
Fellowes
Powis Fastback
Unibind
Akiles
Renz
Tamerica
Rhin-O-Tuff
DFG

Pro-Bind
Martin Yale
MBM
Formax
Intimus
Dahle
HSM
Standard
Xyron

Challenge
Lasko-Wizer
GBC Shredmaster
Avery
Wilson Jones
Cardinal
Samsill
Universal

- BINDING MACHINES
- BINDING SUPPLIES
- LAMINATORS
- I.D. ACCESSORIES
- BOARDS & EASELS
- PAPER SHREDDERS
- XYRON LAMINATORS
- COIL BINDING MACHINES
- UNIBIND BINDING MACHINES
- FASTBACK BINDING EQUIPMENT
- PAPER FOLDING MACHINES
- LAMINATING POUCHES
- ROTARY TRIMMERS
- CLEAR COVERS
- TWIN LOOP WIRE
- REGENCY COVERS
- PLASTIC BINDING COVERS
- VELOBIND BINDING MACHINES
- PAPER HANDLING EQUIPMENT
- THERMAL BINDING MACHINES
- PROCLICK BINDING SYSTEMS
- COMB BINDING MACHINES
- COMB BINDING SUPPLIES
- WIRE BINDING MACHINES
- POUCH LAMINATORS
- LAMINATING ROLLS
- 3-RING BINDERS
- ROLL LAMINATORS
- VELOBIND SPINES
- PAPER CUTTERS
- PAPER JOGGERS
- LETTER OPENERS
- THERMAL COVERS
- UNIBIND SUPPLIES
- PROCLICK SPINES
- ZIPBIND SPINES
- LINEN COVERS
- SPIRAL COIL
- INDEX TABS

