

# RhinoTuff HD-4170 Coil Inserter

## Parts Book

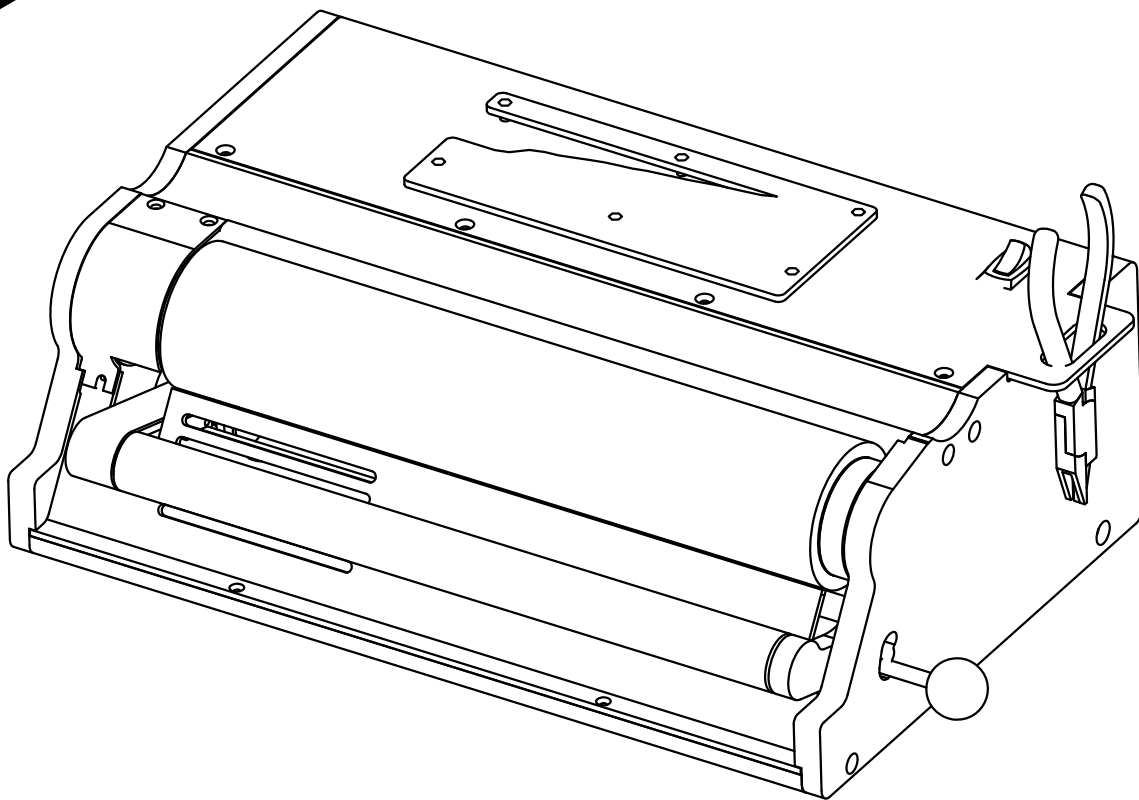


Provided By

**MyBinding**.com®  
*When Image Matters.*

# RHIN-O-TUFF HD-4170 PARTS BOOK

Heavy Duty Coil Inserter Module  
Rev. 2



Mailing Address: 2350 E. Braniff, Boise, Idaho 83716-9613

Telephone: 208-384-8551

Fax: 208-384-8583

E Mail: [PDI@pdibind.com](mailto:PDI@pdibind.com)

Web: [www.RHIN-O-TUFF.com](http://www.RHIN-O-TUFF.com)

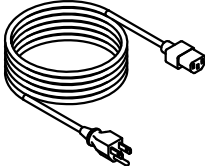


**MyBinding.com**  
When Image Matters.

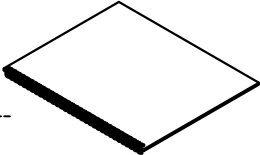
# HD-4170 PARTS BOOK

Page 1  
Introductory Page

Upon unpacking their new HD 4170 punch, they should have the following items included:

Power Cord .....  ..... PDi Part # 007090

Coil Crimping Pliers .....  ..... PDi Part # 001520

HD-4170 Instruction Book .....  ..... PDi Part # 941000

This book is intended for Rhin-O-Tuff dealers.

# HD-4170 PARTS BOOK

Page 2

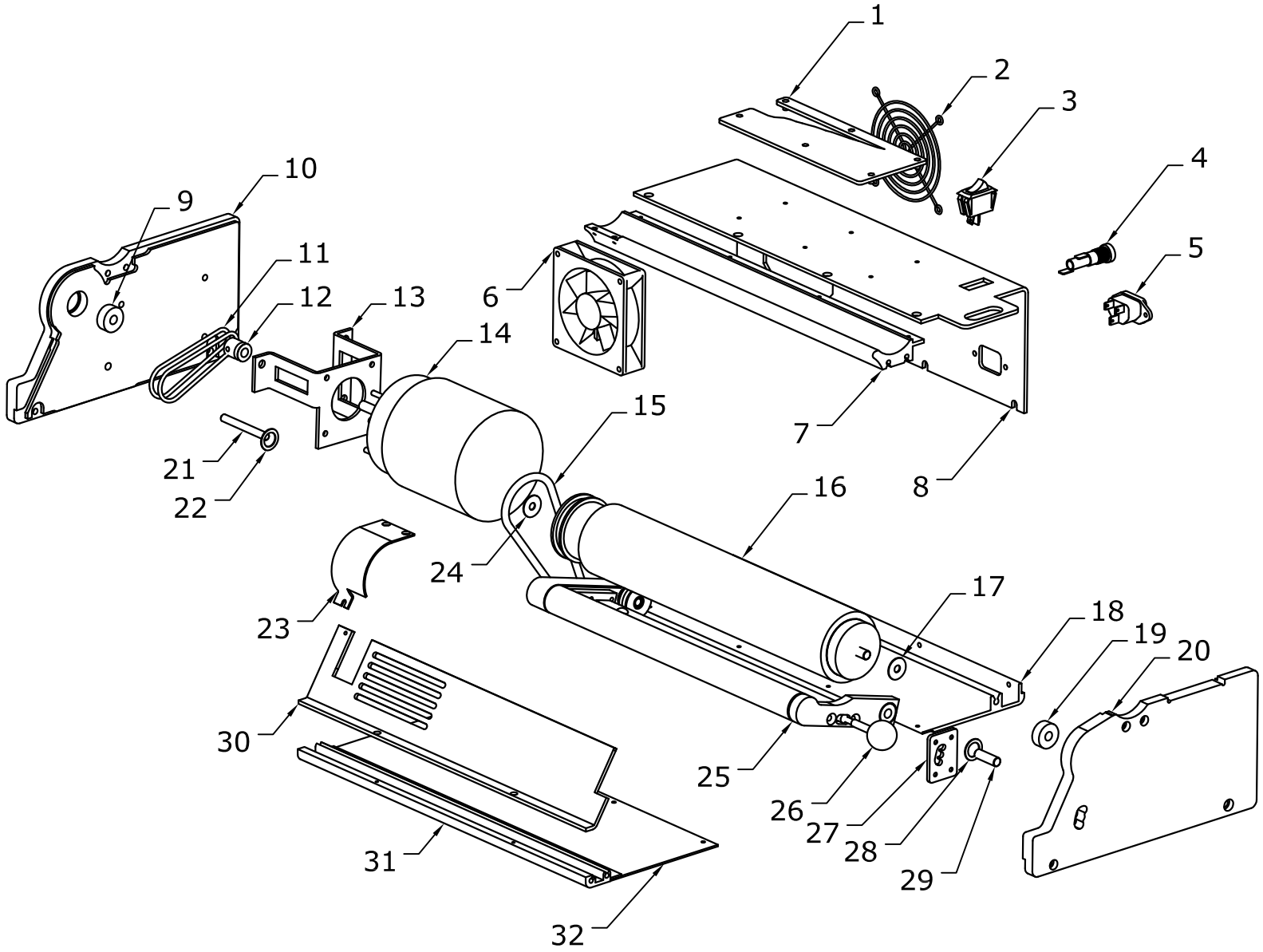
## Table Of Contents

Introductory Page .....	1
Table Of Contents .....	2
4170 Final Assembly, Machine .....	3
4170 Final Assembly, Index .....	4
Assembly, Tortion Bar .....	5
4170 Wiring Diagram .....	6
4170 Wiring Diagram CE.....	7

# HD-4170 PARTS BOOK

Page 3

- Final Assembly, Machine -



Performance Design, LLC

2350 E. Braniff, Boise, Idaho 83716 / 208-384-8551 / PDI@pdibind.com / www.RHIN-O-TUFF.com

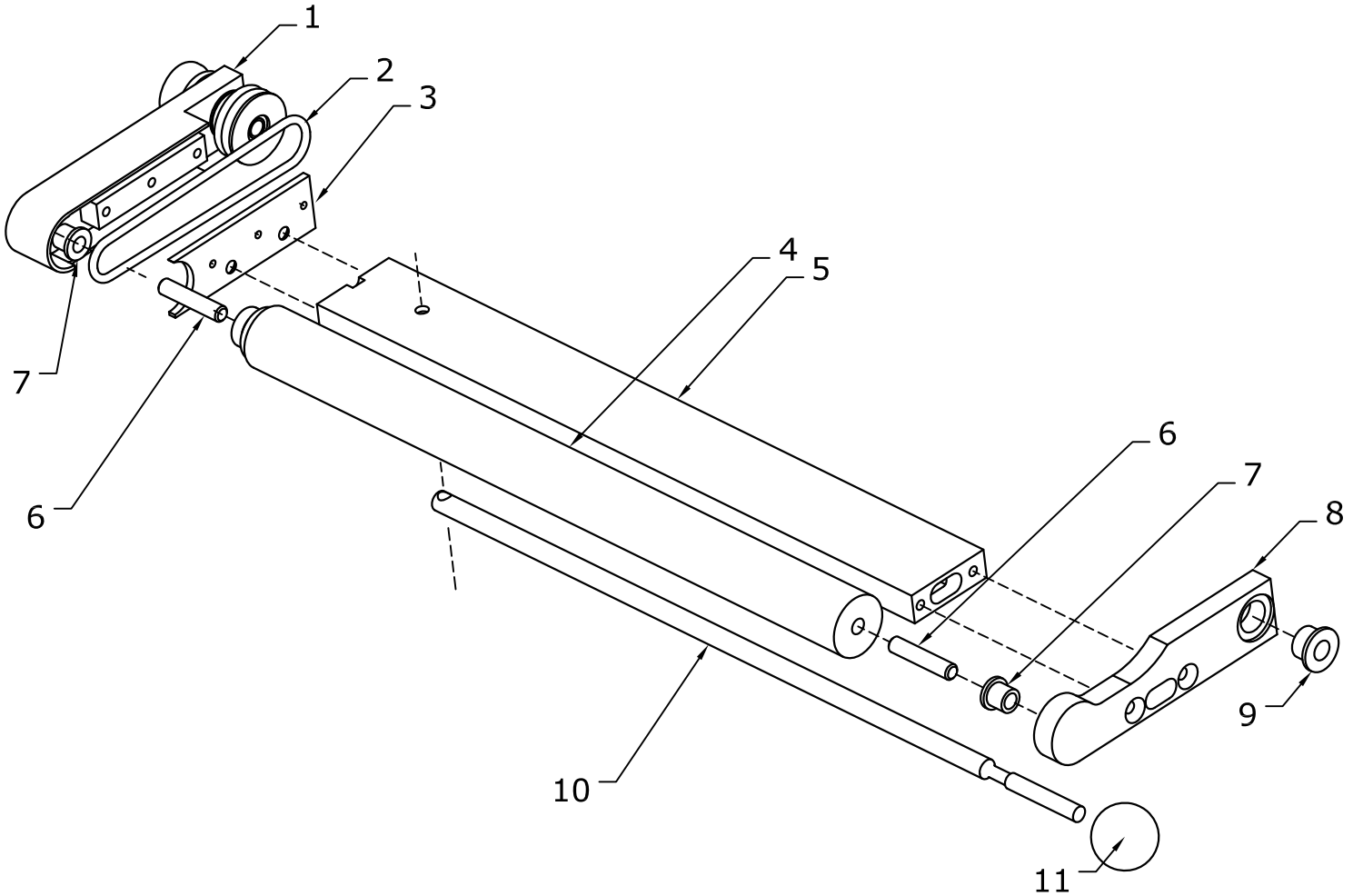


# HD-4170 PARTS BOOK

Page 4

- Final Assembly, Index -

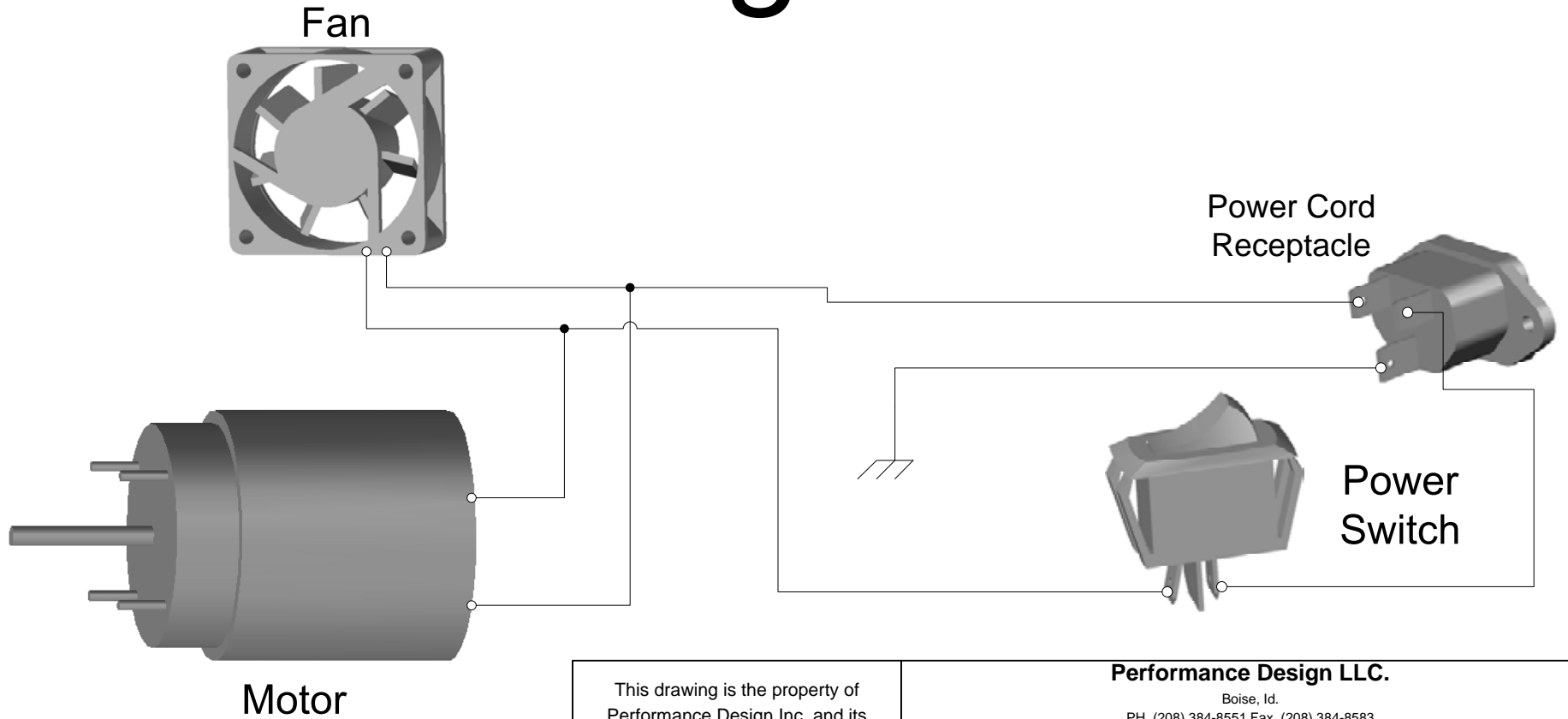
Item #	PDI P/N	Qty	Description	Notes
1	941708	1 ea	PLATE, COIL GUIDE	
2	001645	1 ea	GUARD, FAN	115/230
3	007060	1 ea	Switch, On-Off	115 VAC
4	007000	1 ea	FUSE HOLDER, 1/4 X 1-1/4 PANEL	115 VAC
4	007082	1 ea	FUSE, 3 AMP 1/4 X 1-1/4 AGC-3-R	115 VAC
4	001659	2 ea	FUSE, 1.5 AMP M5 X 20MM GMA-1-R	230 VAC
5	007050	1 ea	RECEPTICAL, CORD POWER	115 VAC
5	008140	1 ea	FILTER, QUALTEK 864-10/009	230 VAC
6	001642	1 ea	FAN, COOLING3-5/8" 115VAC	115 VAC
6	001657	1 ea	FAN, COOLING3-5/8" 230VAC	230 VAC
7	041706	1 ea	BAR, PAPER FORM	
8	941703	1 ea	COVER, TOP	115 VAC
8	941711	1 ea	COVER, TOP	230 VAC
9	001656	1 ea	BEARING, 4100 BIG ROLLER	
10	041703	1 ea	SIDEPLATE, LEFT	
11	001648	2 ea	BELT, 1/8 DIAM X 7.5 URETHANE	
12	041707	1 ea	PULLY, MOTOR	
13	941701	1 ea	MOUNT, STANDOFF	
14	008007	1 ea	MOTOR, 1/15 HP 120VAC 1500 RPM	115 VAC
14	008008	1 ea	MOTOR, 1/15HP 230 VOLT 1600 RPM	230 VAC
15	001647	1 ea	BELT, 1/4 DIAM X 10.5 URETHANE	
16	041710	1 ea	ASSY, LARGE ROLLER	
17	003016	1 ea	WASHER, TEFLON .250 X .765 X .031	
18	041705	1 ea	PLATE, BOTTOM REAR	
19	001656	1 ea	BEARING, 4100 BIG ROLLER	
20	041704	1 ea	SIDEPLATE, RIGHT	
21	001400	1 ea	PIN, DOWEL 1/4 X 1-1/4	
22	003017	1 ea	WASHER, TEFLON .505 X .750 X .031	
23	941710	1 ea	COVER, LARGER WHEEL DRIVE BELT	
24	003016	1 ea	WASHER, TEFLON .250 X .765 X .031	
25	na	1 ea	ASSEMBLY, TORTION BAR	PAGE 5
26	001480	1 ea	KNOB, ROUND 1" DIA	
27	941705	1 ea	GUIDE, SPRING	
28	003017	1 ea	WASHER, TEFLON .505 X .750 X .031	
29	001080	1 ea	PIN, DOWEL 5/16 X 1	
30	941707	1 ea	PLATE, SAFETY	
31	041717	1 ea	BAR, BOTTON FRONT	
32	921704	1 ea	PLATE, BOTTOM	
33	001106	1 ea	DECAL, VOLTAGE HAZARD	Not Shown
34	001146	1 ea	DECAL, CAUTION FUSE	Not Shown
35	001194	1 ea	DECAL, CRUSH HAZARD	Not Shown
36	941709	1 ea	DECAL, ROLL POSITION SETTING	Not Shown
37	941712	1 ea	DECAL, ROLL POSITION SIZES	Not Shown
38	001040	4 ea	FEET, BUBBER STICK-ON	Not Shown



Item #	PDI P/N	Qty	Description	Notes
1	041799	1 ea	ASSEMBLY, JACK SHAFT	
2	001646	1 ea	Belt, 1/8 Diam X 9 Urethane	
3	941706	1 ea	PLATE,TORTION BAR	
4	041714	1 ea	ROLLER,SMALL	OW 2X#6
5	041712	1 ea	BAR,TORTION	
6	001400	2 ea	PIN, DOWEL .250 X 1.250	
7	001293	2 ea	BUSHING,FLANGE .375 X .250 X .375L	
8	041713	1 ea	BLOCK,RIGHT PIVOT ARM	OW #7&9
9	001292	1 ea	BUSHING,FLANGE .500 X .313 X .500L	
10	041702	1 ea	ROD,LATCHING HANDLE	
11	001480	1 ea	KNOB,ROUND 1.000 DIAM	

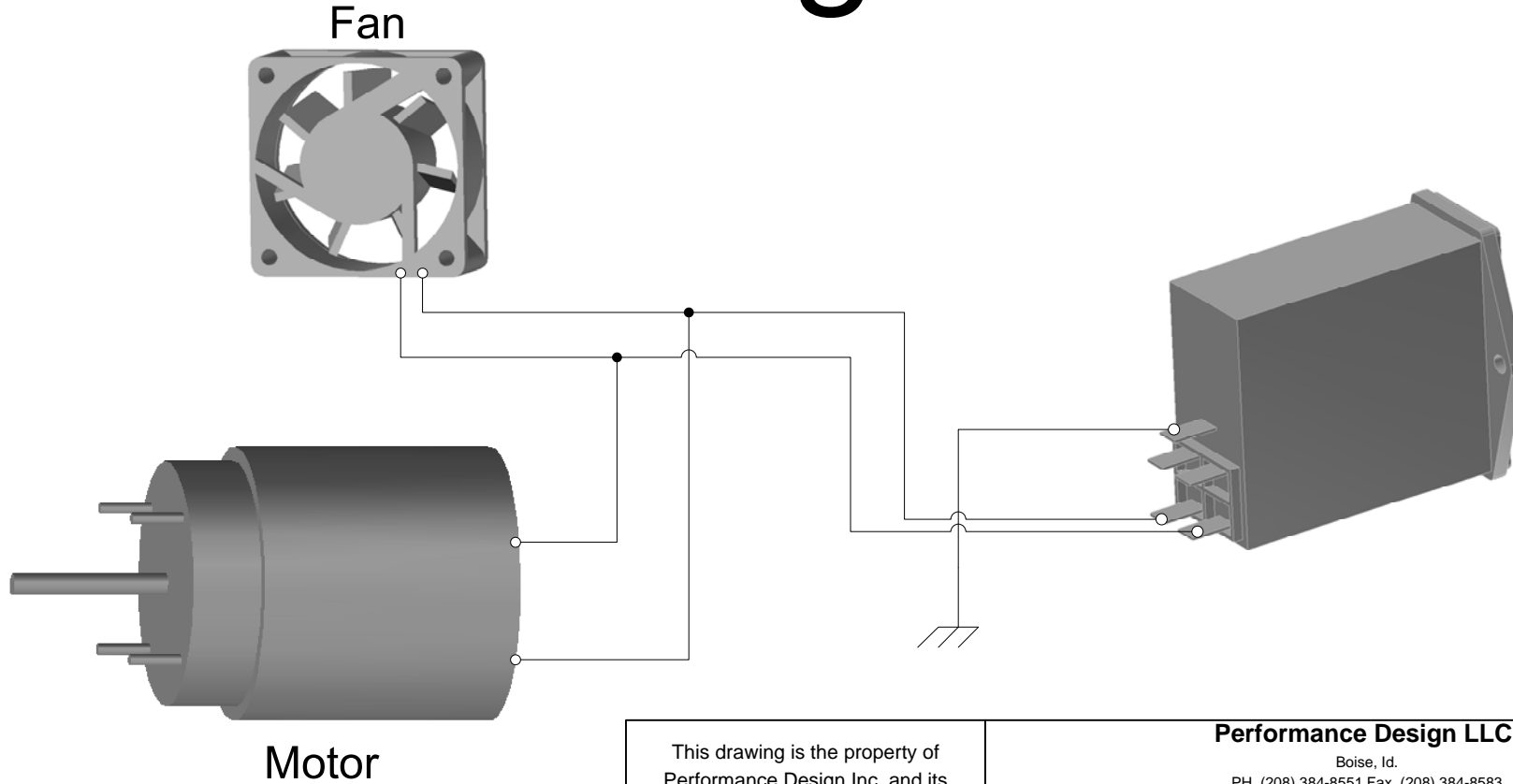
OW=ORDER WITH

# HD4170 Wiring Diagram



<p>This drawing is the property of Performance Design Inc. and its submission does not include or carry the right to make, use, or sell what is illustrated without the written consent of this company.</p>	<p><b>Performance Design LLC.</b> Boise, Id. PH. (208) 384-8551 Fax. (208) 384-8583 <a href="http://www.rhin-o-tuff.com">www.rhin-o-tuff.com</a></p>			
	<p>Wiring Diagram for the HD4170 Coil Inserter</p>			
	SIZE	FSCM NO	DWG NO	REV
			HD4170 Wiring Diagram	1
	SCALE	NTS	1/30/2007	SHEET 1 OF 1

# HD4170CE Wiring Diagram



<p>This drawing is the property of Performance Design Inc. and its submission does not include or carry the right to make, use, or sell what is illustrated without the written consent of this company.</p>	<p align="center"><b>Performance Design LLC.</b> Boise, Id. PH. (208) 384-8551 Fax. (208) 384-8583 <a href="http://www.thin-o-tuff.com">www.thin-o-tuff.com</a></p>			
	<p align="center">Wiring Diagram for the HD4170CE Coil Inserter</p>			
	SIZE	FSCM NO	DWG NO	REV
			HD4170CE Wiring Diagram	1
	SCALE	NTS	1/30/2007	SHEET 1 OF 1

# We Have it All...



# MyBinding.com

*When Image Matters.*

**Guaranteed Lowest Prices** on an  
Endless Selection of Binding Systems, Laminators,  
Paper Shredders, Supplies and Accessories.

**We have you covered** with Expert Advice  
and Support. Our popular blog keeps you up to  
date on the latest tips and techniques to make  
your most important binding and laminating  
tasks a success.

**Call Us Today**

**1-800-944-4573**

## Our Trusted Partners

GBC / Ibico

Fellowes

Powis Fastback

Unibind

Akiles

Renz

Tamerica

Rhin-O-Tuff

DFG

Pro-Bind

Martin Yale

MBM

Formax

Intimus

Dahle

HSM

Standard

Xyron

Challenge

Lasko-Wizer

GBC Shredmaster

Avery

Wilson Jones

Cardinal

Samsill

Universal



- BINDING MACHINES
- BINDING SUPPLIES
- LAMINATORS
- I.D. ACCESSORIES
- BOARDS & EASELS
- PAPER SHREDDERS
- XYRON LAMINATORS
- COIL BINDING MACHINES
- UNIBIND BINDING MACHINES
- FASTBACK BINDING EQUIPMENT
- PAPER FOLDING MACHINES
- LAMINATING POUCHES
- ROTARY TRIMMERS
- CLEAR COVERS
- TWIN LOOP WIRE
- REGENCY COVERS
- PLASTIC BINDING COVERS
- VELOBIND BINDING MACHINES
- PAPER HANDLING EQUIPMENT
- THERMAL BINDING MACHINES
- PROCLICK BINDING SYSTEMS
- COMB BINDING MACHINES
- COMB BINDING SUPPLIES
- WIRE BINDING MACHINES
- POUCH LAMINATORS
- LAMINATING ROLLS
- 3-RING BINDERS
- ROLL LAMINATORS
- VELOBIND SPINES
- PAPER CUTTERS
- PAPER JOGGERS
- LETTER OPENERS
- THERMAL COVERS
- UNIBIND SUPPLIES
- PROCLICK SPINES
- ZIPBIND SPINES
- LINEN COVERS
- SPIRAL COIL
- INDEX TABS