

Renz SPB360 Binding Machine

Parts List



Provided By

MyBinding.com®
When Image Matters.

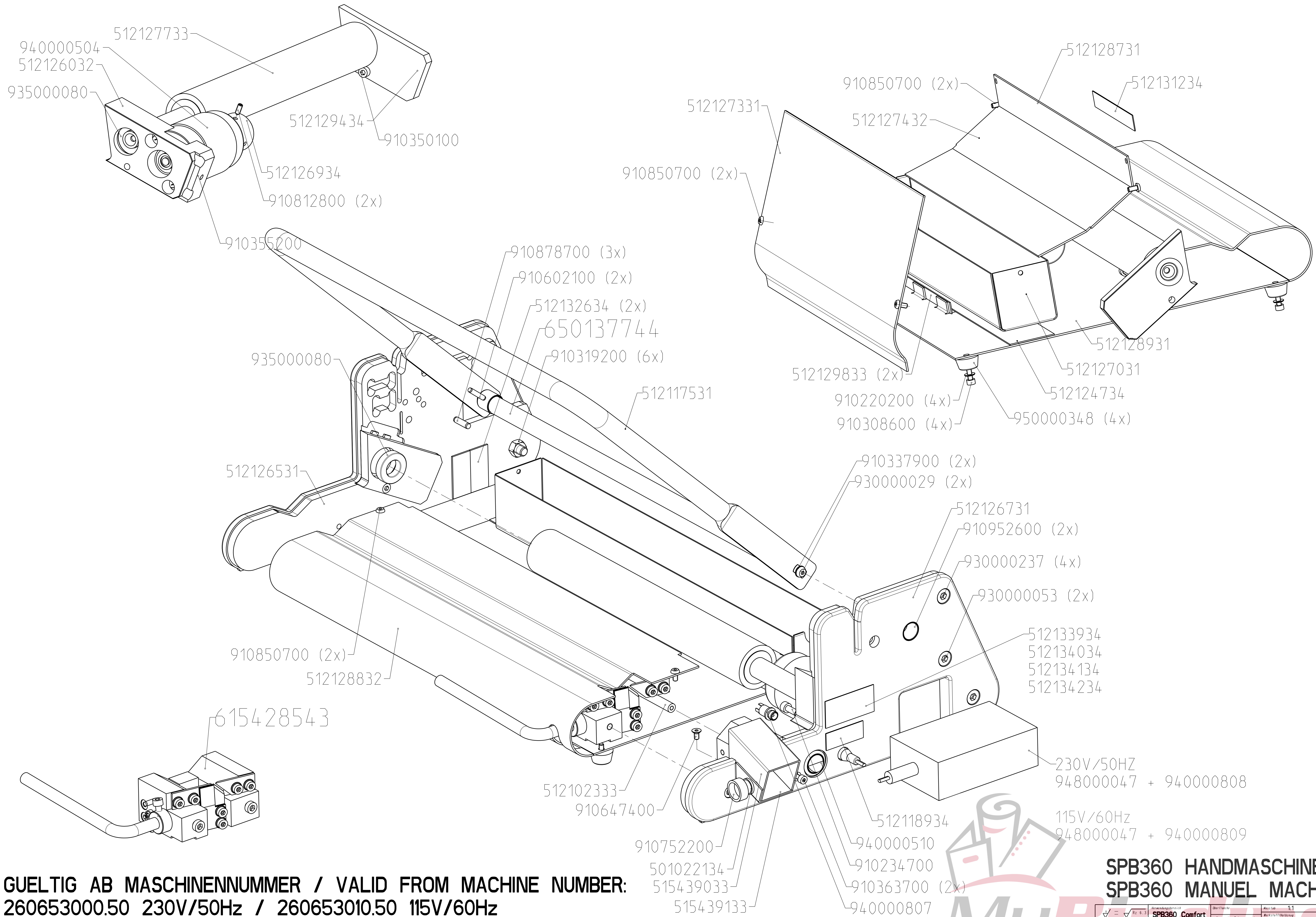


RENZSPB360 PARTS LIST



GBC IS AN ACCO BRANDS COMPANY





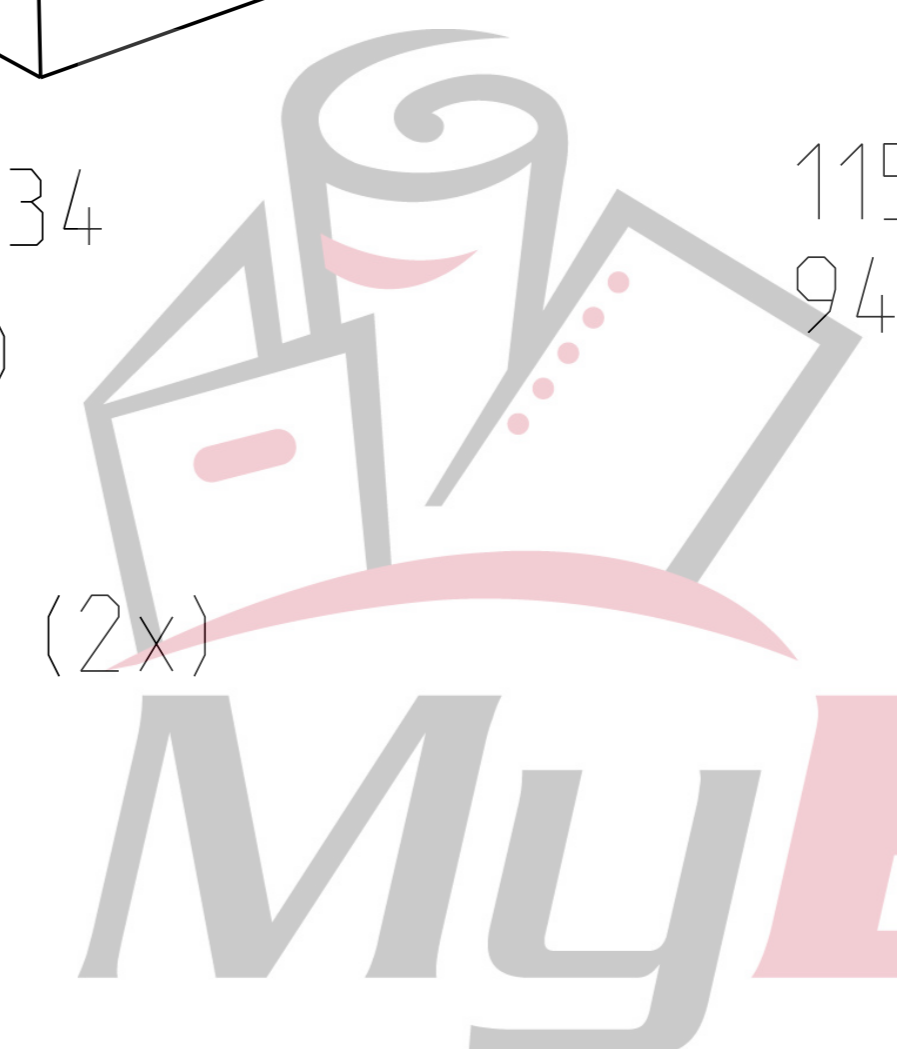
GUELTIG AB MASCHINENNUMMER / VALID FROM MACHINE NUMBER:

260653000.50 230V/50Hz / 260653010.50 115V/60Hz

260652000.50 230V/50Hz / 260652010.50 115V/60Hz

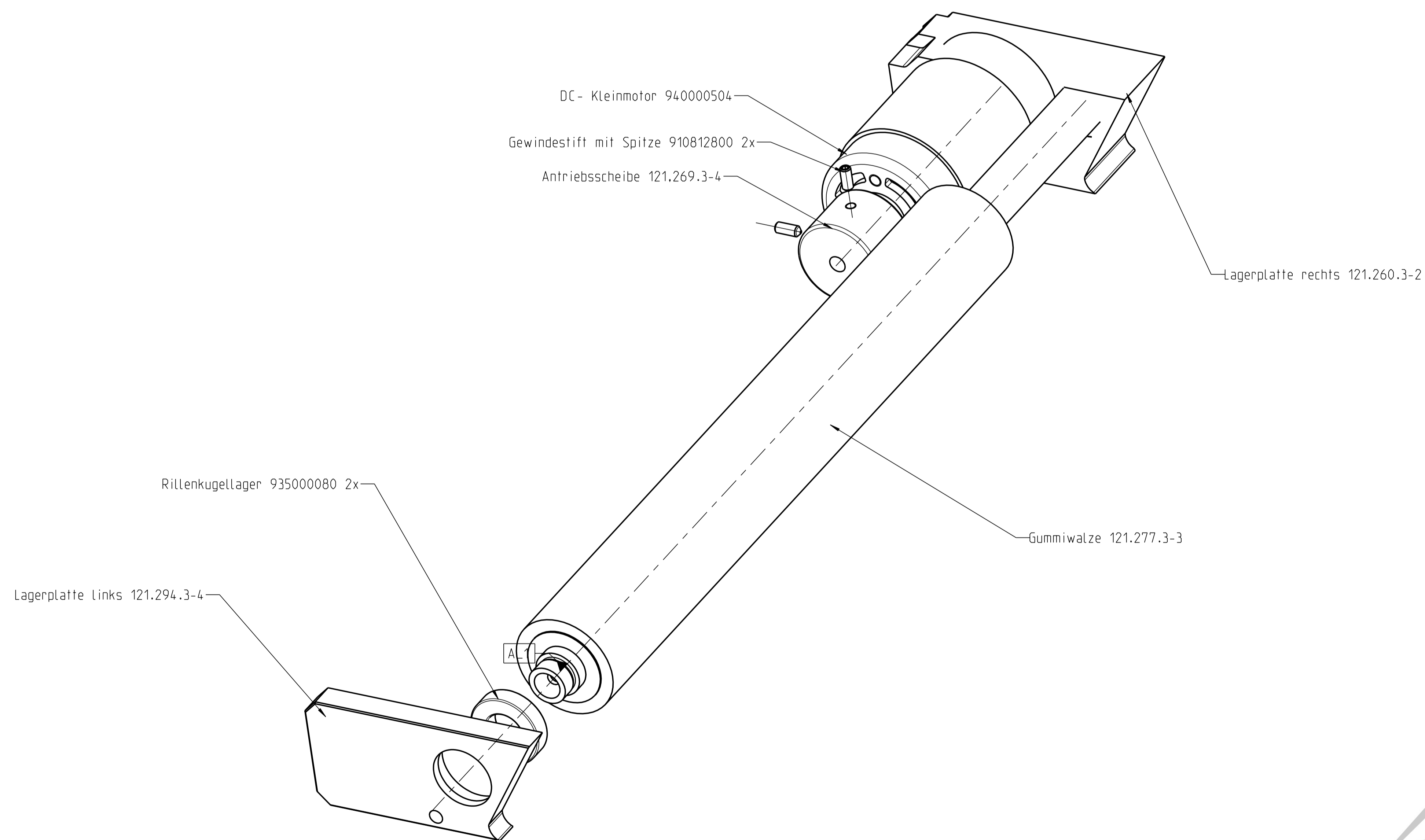
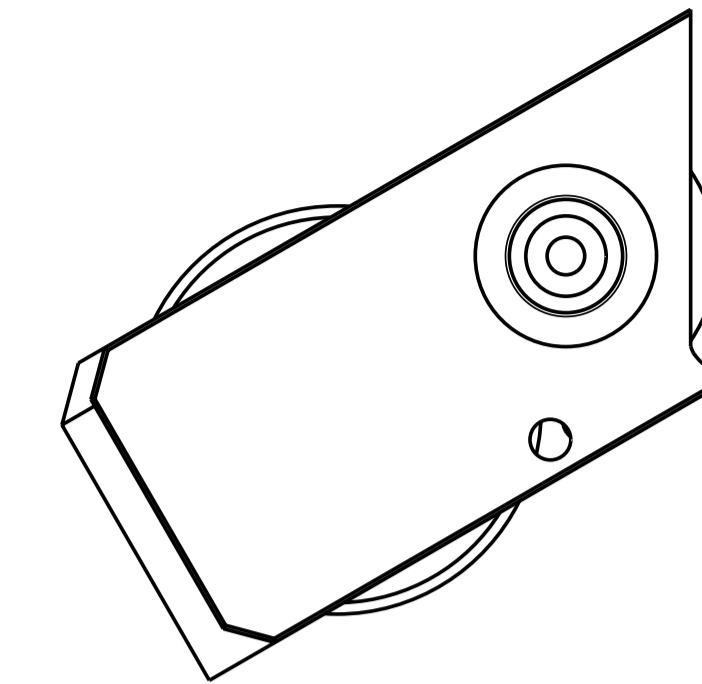
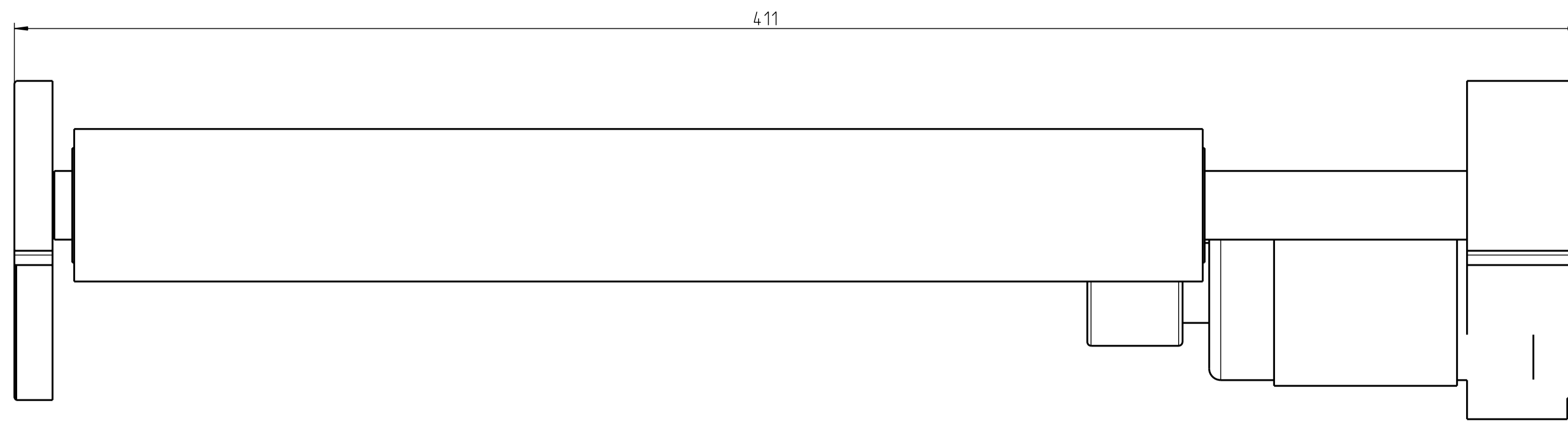
BAUJAHR / BUILT FROM: 2004

**SPB360 HANDMASCHINE
SPB360 MANUEL MACHINE**

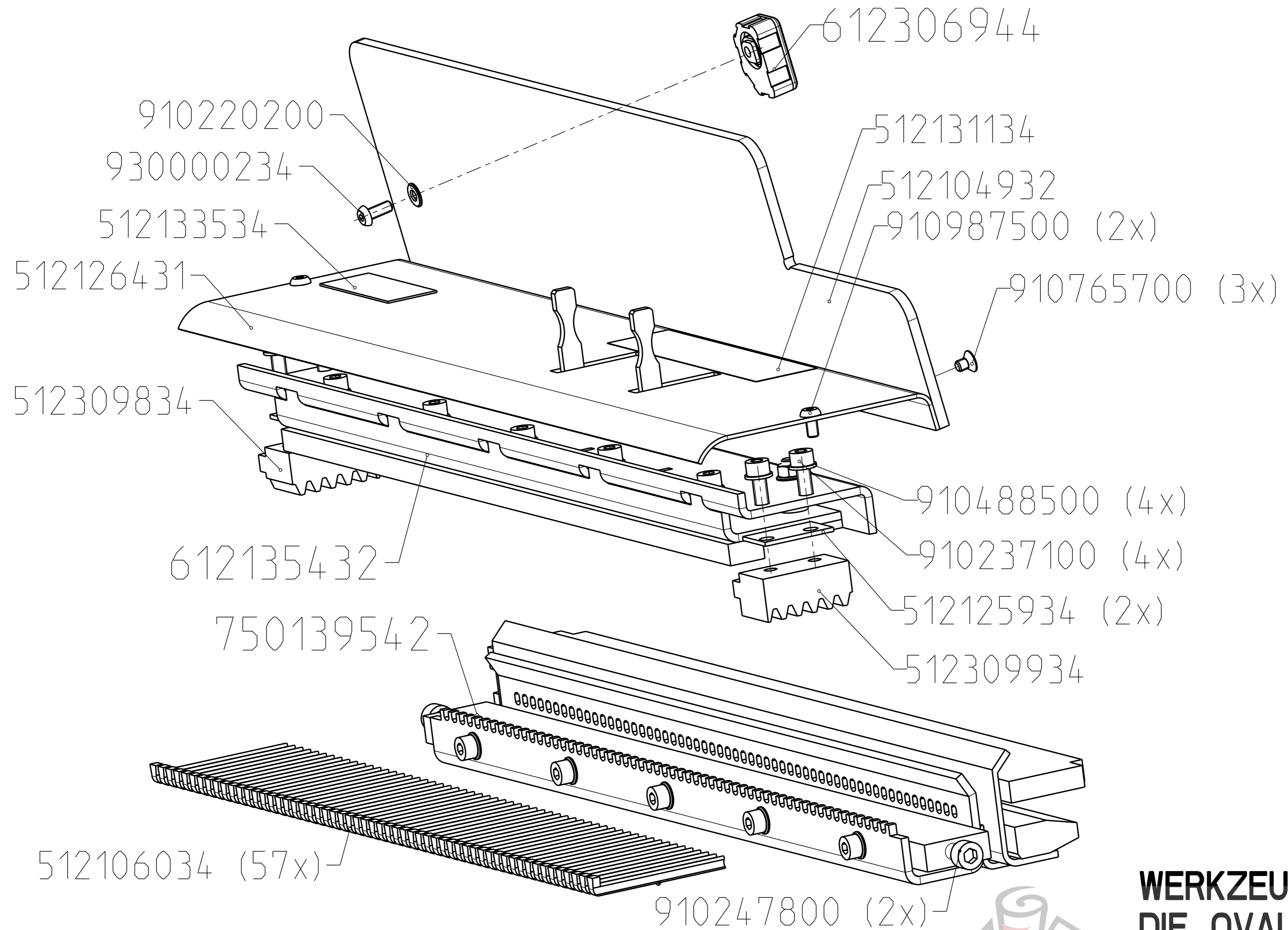


Revisionsbereich	SPB360 Comfort	Stichtag	Maßstab	1:1	Blatt	1
✓ = ✓ Rz 6-3						
✓ = ✓ Rz 25						
✓ = ✓ Rz 100						
✓ = ✓ R0H						

Ersatzteilzeichnung
 REPLACEMENT PARTS
 Chr. RENZ GmbH
 501.351.4-3



$\sqrt{\text{Rz}}$ = $\sqrt{\text{Rz}}$ 6.3 $\sqrt{\text{Rz}}$ = $\sqrt{\text{Rz}}$ 2.5 $\sqrt{\text{Rz}}$ = $\sqrt{\text{Rz}}$ 100 $\sqrt{\text{Rz}}$ = $\sqrt{\text{Rz}}$ 100H	Verwendungsbereich CBS 340	Oberflaeche	Massstab 1:1	Anzahl
	Masse ohne Toleranzangabe nach DIN ISO 2160	Werkstoff/Halbzeug	XXXX	
	Bearb. 09.09.05 Machowska	Benennung Spiraleinschub kpl.		
	Norm-Nr.:	Zeichnung/Sach-Nr. Chr. RENZ GmbH	501.352.4-1	Blatt
Zust.	Aenderung	Datum	Name	Trz. d.:



**WERKZEUG OVAL
DIE OVAL**

GUELTIG AB WERKZEUGNUMMER: 260513000.?
VALID FROM DIE NUMBER: 260513000.?
BAUJAHR: 2005
BUILT FROM: 2005

\checkmark = $\sqrt{Rz\ 6.3}$ \checkmark = $\sqrt{Rz\ 25}$ \checkmark = $\sqrt{Rz\ 100}$ \checkmark = \sqrt{ROH}	Verwendungsbereich SPB360-COMFORT	Oberflaeche Masse ohne Toleranzangabe nach "DIN ISO 2768m"	Maßstab : Anzahl
		Bearb. 09.06.05 Machowski Gepr. Norm Komm.-Nr.	Werkstoff/Halbzeug xxx x
		Chr. RENZ GmbH	Benennung ERSATZTEILZEICHNUNG REPLACEMENT PARTS Zeichnung/Sach-Nr.: 501.508.4-3 Blatt 1
	Zusf. Änderung Datum Name	Ers.f.: Ers.d.:	

We Have it All...



MyBinding.com *When Image Matters.*

Guaranteed Lowest Prices on an
Endless Selection of Binding Systems, Laminators,
Paper Shredders, Supplies and Accessories.

We have you covered with Expert Advice
and Support. Our popular blog keeps you up to
date on the latest tips and techniques to make
your most important binding and laminating
tasks a success.

Call Us Today

1-800-944-4573

Our Trusted Partners

GBC / Ibico
Fellowes
Powis Fastback
Unibind
Akiles
Renz
Tamerica
Rhin-O-Tuff
DFG

Pro-Bind
Martin Yale
MBM
Formax
Intimus
Dahle
HSM
Standard
Xyron

Challenge
Lasko-Wizer
GBC Shredmaster
Avery
Wilson Jones
Cardinal
Samsill
Universal



- BINDING MACHINES
- BINDING SUPPLIES
- LAMINATORS
- I.D. ACCESSORIES
- BOARDS & EASELS
- PAPER SHREDDERS
- XYRON LAMINATORS
- COIL BINDING MACHINES
- UNIBIND BINDING MACHINES
- FASTBACK BINDING EQUIPMENT
- PAPER FOLDING MACHINES
- LAMINATING POUCHES
- ROTARY TRIMMERS
- CLEAR COVERS
- TWIN LOOP WIRE
- REGENCY COVERS
- PLASTIC BINDING COVERS
- VELOBIND BINDING MACHINES
- PAPER HANDLING EQUIPMENT
- THERMAL BINDING MACHINES
- PROCLICK BINDING SYSTEMS
- COMB BINDING MACHINES
- COMB BINDING SUPPLIES
- WIRE BINDING MACHINES
- POUCH LAMINATORS
- LAMINATING ROLLS
- 3-RING BINDERS
- ROLL LAMINATORS
- VELOBIND SPINES
- PAPER CUTTERS
- PAPER JOGGERS
- LETTER OPENERS
- THERMAL COVERS
- UNIBIND SUPPLIES
- PROCLICK SPINES
- ZIPBIND SPINES
- LINEN COVERS
- SPIRAL COIL
- INDEX TABS

