

Martin Yale W Series Premier Paper Trimmers

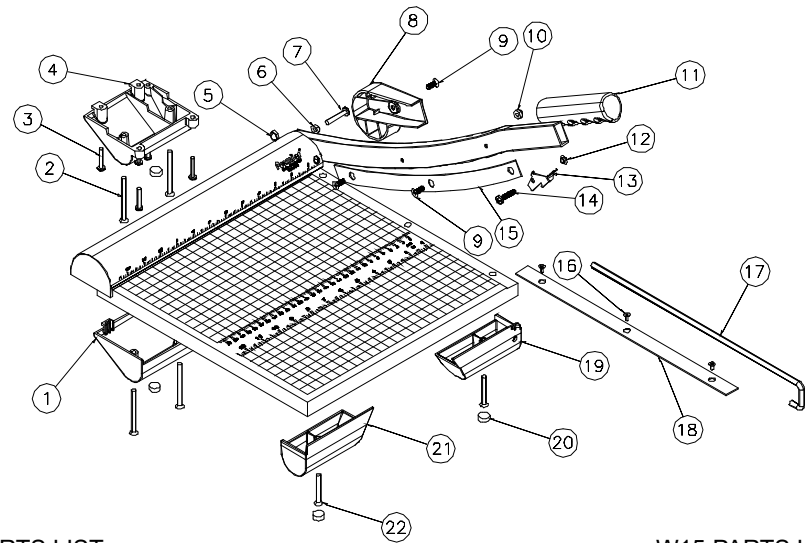
Instruction Manual



Provided By

MyBinding.com®
When Image Matters.

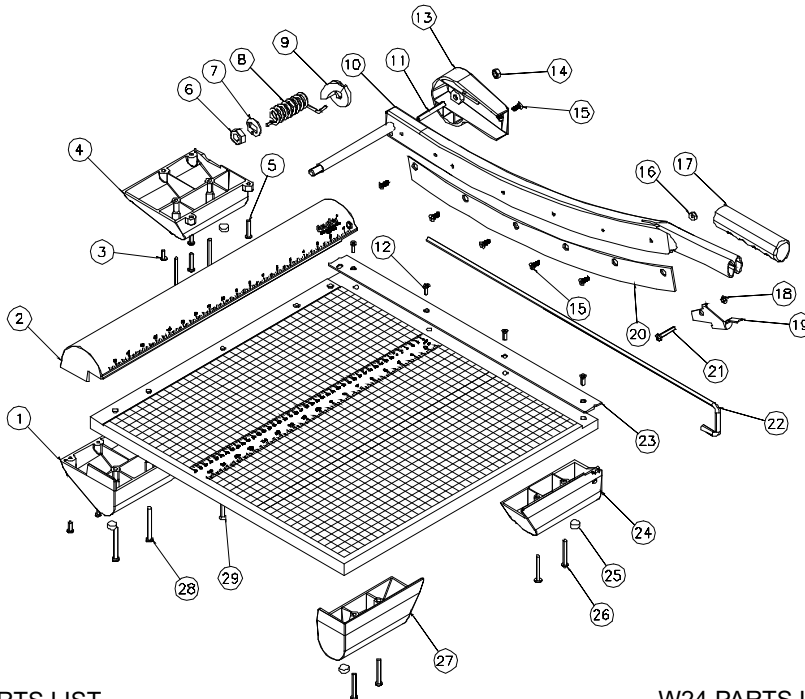
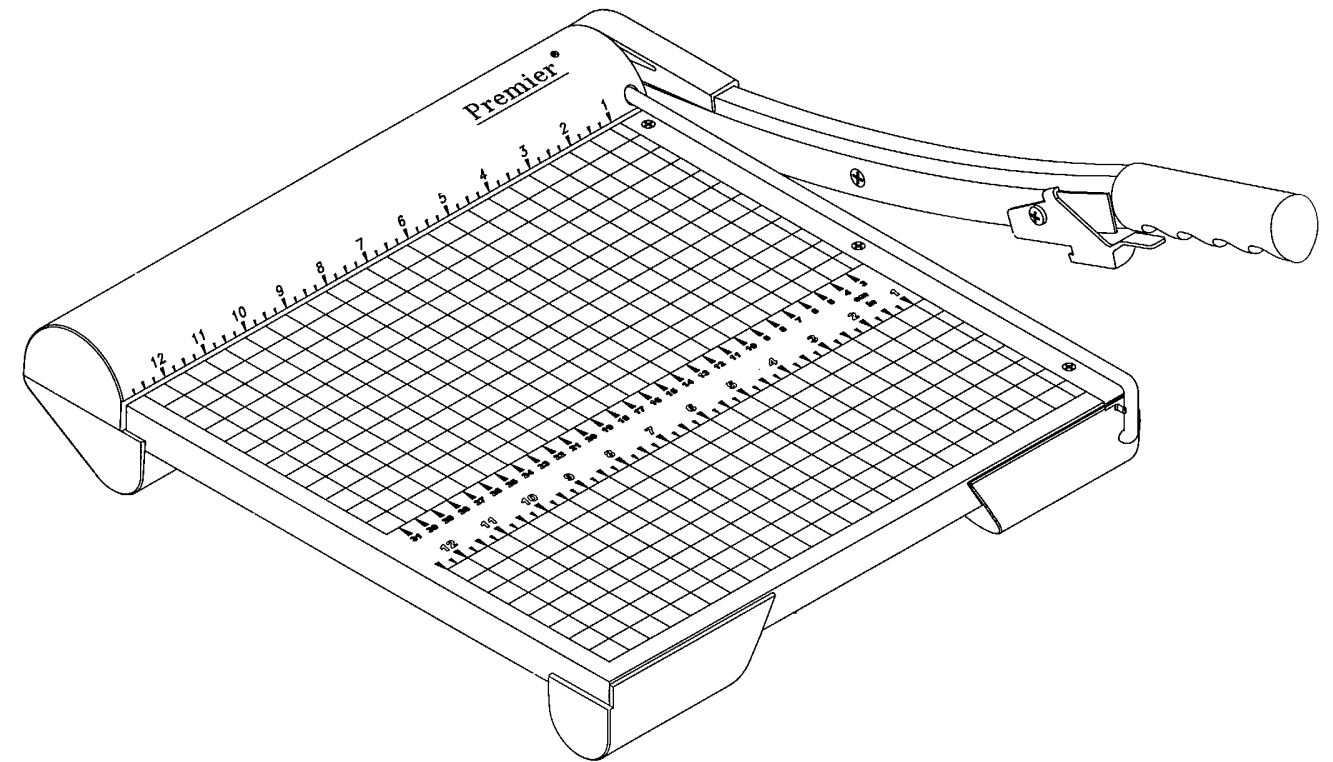
Premier® Heavy-Duty Paper Trimmers



W12 PARTS LIST

W15 PARTS LIST

Part Number	Description	Qty.	Part Number	Description	Qty.	Part Number	Description	Qty.	Part Number	Description	Qty.
1	M-O017909	LEFT REAR FOOT	1	12	M-O017642	LATCH SPACER	1	1	M-O017909	LEFT REAR FOOT	1
2	M-S004018	#10 X 2 1/4 LOROOT FLHD	4	13	W-O017651	SMALL SAFETY LATCH	1	2	M-S004018	#10 X 2 1/4 LOROOT FLHD	4
3	M-S004078	#8 X 7/8 PH PAN HD LR	5	14	M-S001148	10-32 X 7/8 PHL. P/HB/O	1	3	M-S004078	#8 X 7/8 PH PAN HD LR	5
4	M-O017951	RIGHT REAR FOOT	1	15	W-O175012	12" CURVED BLADE	1	4	M-O017951	RIGHT REAR FOOT	1
5	M-S007010	10-32 ACORN NUT	1	16	M-S004063	#8 X 5/8 LR. W/#6 PH. F.H.	3	5	M-S007010	10-32 ACORN NUT	1
6	M-S6100058	10-32 HEX NUT	1	17	W-O017949	FINGERGUARD	1	6	M-S6100058	10-32 HEX NUT	1
7	M-S001149	10-32 X 1.13 P/PH B/O	1	18	W-O010512	12" STRAIGHT BLADE	1	7	M-S001149	10-32 X 1.13 P/PH B/O	1
8	M-O017911	HANDLE CAP	1	19	M-O017906	RIGHT FOOT	1	8	M-O017911	HANDLE CAP	1
9	M-S001020	10-32 X 1/2 PHIL UC FH	3	20	M-S030010	T BUMPER (FOOT)	4	9	M-S001020	10-32 X 1/2 PHIL UC FH	3
10	M-S007033	HEX ACORN NUT, 10-32	1	21	M-O017905	LEFT FOOT	1	10	M-S007033	HEX ACORN NUT, 10-32	1
11	M-S043013	7/8 MAROON GRIP	1	22	M-S004016	#10 X 1 1/2 LOROOT FLHD	2	11	M-S043013	7/8 MAROON GRIP	1



W18 PARTS LIST

W24 PARTS LIST

Part Number	Description	Qty.	Part Number	Description	Qty.	Part Number	Description	Qty.	Part Number	Description	Qty.
1	M-O017946	W18 & 24 L/REAR FOOT	1	16	M-S007033	HEX ACORN NUT, 10-32	1	1	M-O017946	W18 & 24 L/REAR FOOT	1
2	W-F017920	W18 & 24 BEARING COVER	1	17	M-S043016	1" HAND GRIP, MAROON	1	2	W-F017920	W18 & 24 BEARING COVER	1
3	M-S001169	#8 X 1/2 PH. PH. "B" ZINC	4	18	M-O017642	LATCH SPACER	1	3	M-S001169	#8 X 1/2 PH. PH. "B" ZINC	4
4	M-O017919	W18 & 24 R/REAR FOOT	1	19	W-O017652	LARGE SAFETY LATCH	1	4	M-O017919	W18 & 24 R/REAR FOOT	1
5	M-S004078	#8 X 7/8 LO ROOT PHIL	2	20	W-O017518	18" CURVED BLADE	1	5	M-S004078	#8 X 7/8 LO ROOT PHIL	2
6	M-S007026	1/2-13 HEX LOCK NUT	1	21	M-S001149	10-32 X 1.13 P/PH B/O	1	6	M-S007026	1/2-13 HEX LOCK NUT	1
7	W-O001757	TORQUE WASHER	1	22	W-O017947	W18 FINGER GUARD	1	7	W-O001757	TORQUE WASHER	1
8	M-S031053	LG. TRIMMER SPRING	1	23	W-O010518	18" STRAIGHT BLADE	1	8	M-S031053	LG. TRIMMER SPRING	1
9	M-O017927	W18 & 24 HELICAL WEAR PAD	1	24	M-O017908	W18 & 24 R/FRONT FOOT	1	9	M-O017927	W18 & 24 HELICAL WEAR PAD	1
10	W-A017926	W18 BLADE/HANDLE ASSY	1	25	M-S030010	T BUMPER (FOOT)	4	10	W-A017926	W18 BLADE/HANDLE ASSY	1
11	M-S002024	1/4-20X2 CUP PNT. SET SCREW	1	26	M-S004039	#10 X 1.5 PHL. P/H SCREW	4	11	M-S002024	1/4-20X2 CUP PNT. SET SCREW	1
12	M-S004063	#8 X 5/8 W/#6 PHL. F/H SCREW	4	27	M-O017907	W18 & 24 L/FRONT FOOT	1	12	M-S004063	#8 X 5/8 W/#6 PHL. F/H SCREW	5
13	M-O017918	W18 & 24 HANDLE CAP	1	28	M-S004050	#10 X 2 PH. RD LO-ROOT	4	13	M-O017918	W18 & 24 HANDLE CAP	1
14	M-S007017	1/4-20 HEX NUT FULL	1	29	M-S004017	#10 X 1.25 PHL. F/H SCREW	1	14	M-S007017	1/4-20 HEX NUT FULL	1
15	M-S001020	10-32 X 1/2 PHIL UC FH	6					15	M-S001020	10-32 X 1/2 PHIL UC FH	8

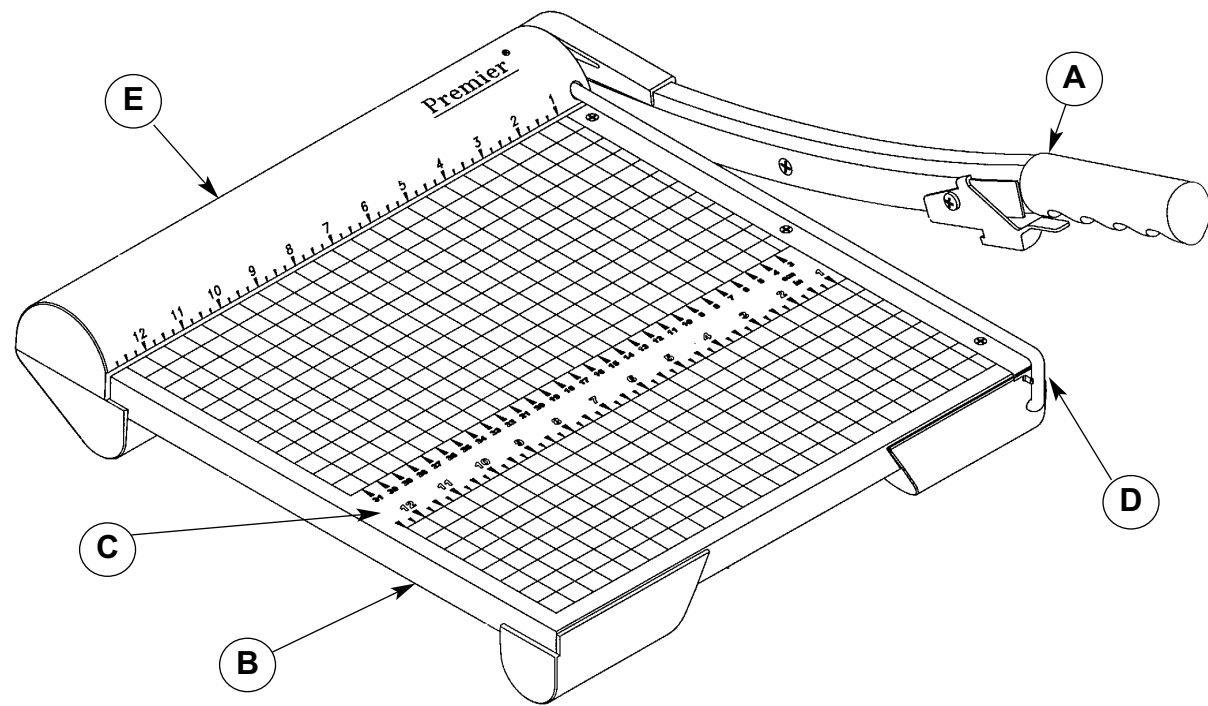
Key Features and Benefits

- Heavy-duty 3/4" thick wood base
- Fully-hardened self-sharpening steel blades cut up to 20 sheets
- Accurately cuts paper, matte board, cardboard, film, tissue, and textiles
- Permanent 1/2" grid and dual rulers for proper paper alignment
- Patented automatic blade latch locks with every cutting motion
- Finger guard helps protect the entire blade length
- Torsion spring counterbalances blade arm
- Non-skid feet

Model Numbers

- W12 – 12" cutting length
- W15 – 15" cutting length
- W18 – 18" cutting length
- W24 – 24" cutting length





Key Components

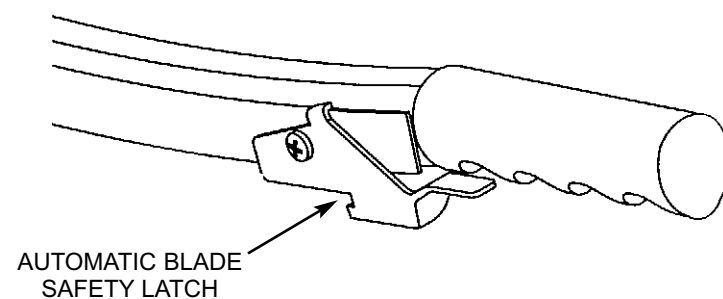
- A – Hand Grip/Blade Arm/Blade Latch Assembly
- B – Wood Base with Molded End Caps
- C – Alignment Ruler
- D – Finger Guard
- E – Paper Guide Ruler

Assembly Instructions

Place the non-skid rubber feet into position on the bottom of the trimmer.

Automatic Safety Latch

The patented automatic blade latch is a key safety feature of this trimmer. It will lock with every complete cutting stroke, helping to eliminate forgetfulness. Remember to always push the blade arm down completely when you are finished cutting, to ensure that the latch activates. Never remove the latch for any reason.



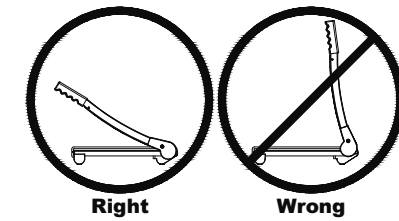
Operating Instructions

1. Place the trimmer on a flat, stable surface
2. Release the blade latch, which is located on the hand grip (A)
3. Lift the blade arm (A) up into cutting position
4. Using the rulers or the 1/2" grid, align the paper to the proper position, pushing it up against the paper guide ruler (E).

CAUTION:
Keep hands and fingers behind the finger guard (D)
at all times, away from the cutting blades

5. While holding the paper down with your left hand (to make sure it stays in place), pull down the blade arm (A) to cut.
6. Always make sure that the blade arm is completely down and locked when not in use.

ATTENTION:
Do not force the blade arm
upward beyond the natural
stop position.



Safety Information

- Always ensure that the blade arm is fully pushed down, and that the blade latch is engaged, when not in use
- Never operate the trimmer without the finger guard in place
- Always keep clothing, jewelry, watches, and hair away from the cutting blade
- Keep out of the reach of children
- Do not carry the trimmer by the hand grip or the blade arm

For Best Cutting Performance

Use Trim-Ease Blade Lubricant for a smoother cut and to help preserve the life of the cutting blade. To order, send \$5.50 per stick and a self-addressed, stamped envelope to the address below.

Customer Service

Telephone: (260) 563-0641
Fax: (260) 563-4575
Email: info@martinyale.com
Internet: www.martinyale.com
Address: Martin Yale Industries, Inc.
 251 Wedcor Avenue
 Wabash, IN 46992



Visit www.martinyale.com for information on office products, including paper folding machines, punches, letter openers, catalog racks, and computer keyboard drawers.

We Have it All...



MyBinding.com *When Image Matters.*

Guaranteed Lowest Prices on an
Endless Selection of Binding Systems, Laminators,
Paper Shredders, Supplies and Accessories.

We have you covered with Expert Advice
and Support. Our popular blog keeps you up to
date on the latest tips and techniques to make
your most important binding and laminating
tasks a success.

Call Us Today

1-800-944-4573

Our Trusted Partners

GBC / Ibico
Fellowes
Powis Fastback
Unibind
Akiles
Renz
Tamerica
Rhin-O-Tuff
DFG

Pro-Bind
Martin Yale
MBM
Formax
Intimus
Dahle
HSM
Standard
Xyron

Challenge
Lasko-Wizer
GBC Shredmaster
Avery
Wilson Jones
Cardinal
Samsill
Universal

BINDING MACHINES
BINDING SUPPLIES
LAMINATORS
I.D. ACCESSORIES
BOARDS & EASELS
PAPER SHREDDERS
XYRON LAMINATORS
COIL BINDING MACHINES
UNIBIND BINDING MACHINES
FASTBACK BINDING EQUIPMENT
PAPER FOLDING MACHINES
LAMINATING POUCHES
ROTARY TRIMMERS
CLEAR COVERS
TWIN LOOP WIRE
REGENCY COVERS
PLASTIC BINDING COVERS
VELOBIND BINDING MACHINES
PAPER HANDLING EQUIPMENT
THERMAL BINDING MACHINES
PROCLICK BINDING SYSTEMS
COMB BINDING MACHINES
COMB BINDING SUPPLIES
WIRE BINDING MACHINES
POUCH LAMINATORS
LAMINATING ROLLS
3-RING BINDERS
ROLL LAMINATORS
VELOBIND SPINES
PAPER CUTTERS
PAPER JOGGERS
LETTER OPENERS
THERMAL COVERS
UNIBIND SUPPLIES
PROCLICK SPINES
ZIPBIND SPINES
LINEN COVERS
SPIRAL COIL
INDEX TABS