

# Martin Yale 1812 Paper Folding Machine

## Instruction Manual



Provided By

**MyBinding**.com®  
*When Image Matters.*



# 1812 AutoFolder

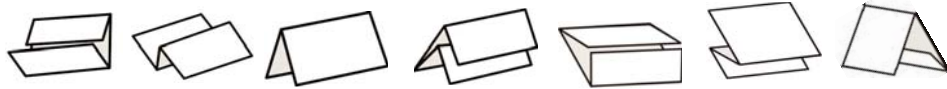
## Set-up Instructions

### Specifications

#### Functional

**Paper Weight** . . . . .18# Bond (67.72gsm) min., 90# Index (161.78gsm) Max.  
**Max Paper Size** . . . . .12" W x 18" L max.  
**Min Paper Size** . . . . .2.5" W x 5.2" L min. (half fold only)  
**Speed** . . . . .5000 - 12,000 sheets per hour (8 1/2" x 11" sheets, Letter fold)  
 \*Speeds may vary because of different paper lengths & fold types

**Types of Folds** . .Letter, Zee, Half, Double Parallel, Gate, Engineering, Church



**Fold Length** . . .2.3" (5.8 cm) min., 14.75" (37.5 cm) max., for both fold tables  
**Paper Capacity** . . . . .500 sheets of 20# Bond paper (75 gsm), or a 2 1/4" stack  
**Sheet Capacity (Stapled)** . . . . .4 sheets of 20# bond typical  
**Feed Method** . . . . .Top Feed, Friction

#### Physical

**Dimensions** . .43.2" (110 cm) Wide x 17.8" (452 cm) High x 22.2" Deep (564 cm)  
**Shipping Weight** . . . . .102 lbs.

#### Electrical

**Power** . . . . .115 V, AC, 1,4 A, 50/60Hz  
**Optional** . . . . .220/230 V.A.C., .8 Amps, 50/60 Hz

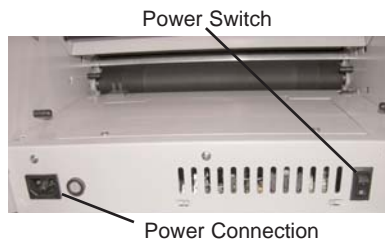
**WARNING! Never connect power to the machine until you are ready to set up and operate the folder. This machine contains moving parts. During setup, operation, and maintenance keep hands, hair, loose clothing, and jewelry away from all moving parts. Serious bodily injury could result.**

**Notice: This folder contains NO USER SERVICEABLE COMPONENTS. Service or disassembly should only be completed by a qualified technician, and with the power disconnected and locked out. The AC outlet for this machine must be near by, and access to the outlet must not be blocked.**

### Getting Started (Installation)

#### Power Connection

The Power Cord plugs into the Power Connection on the folder. Please note the location of the power switch and fuseholder at this time, which are located on the same surface as the power connection, nearest the front of the folder.

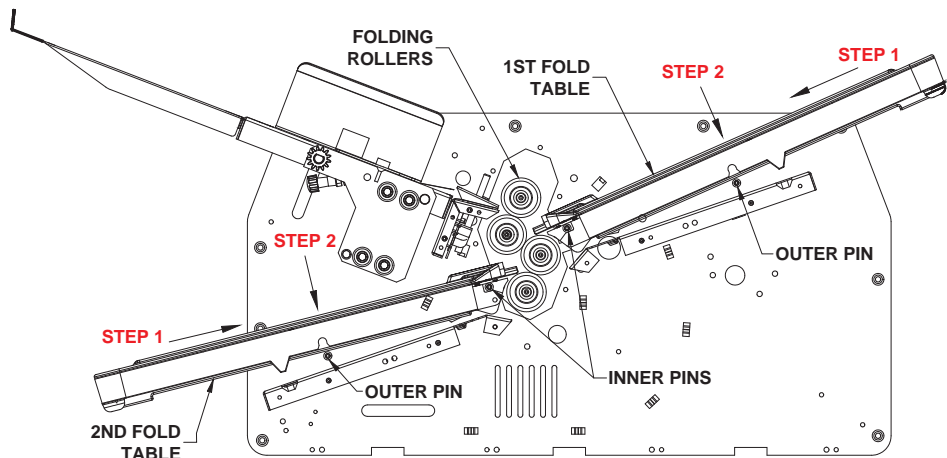


#### Fold Tables

Both fold table assemblies are the same, and can be installed into either the first or second fold table positions.

#### Fold Table Installation

To install the 1st Fold Table, refer to the illustration below. Step 1: slide the front slot opening of the fold table onto the inner set of pins (closest to the folding rollers). Step 2: lower the fold table onto the outer set of pins with a light amount of downward pressure as shown. There will be a slight snapping action as the fold table drops into the detent position. Repeat Step 1 and Step 2 for 2nd Fold Table installation.



#### Table Extension

Your folder comes with two Table Extensions. One is used as an extension on the Exit Conveyor, the other on the Feed Table (see illustration at right).

To install the Extension onto the Feed Table, align the locking tabs of the Extension with the slots in the Feed Table as shown. Squeeze the Feed Table and Extension together nearest the tabs and slots until the 2 pieces snap together.



#### Installing table extensions (cont.)

To install the Extension onto the Exit Conveyor, align the tabs on the Extension with the slots provided in the Exit Conveyor as shown. No force is required to install the Extension - gravity will hold the Extension in place.

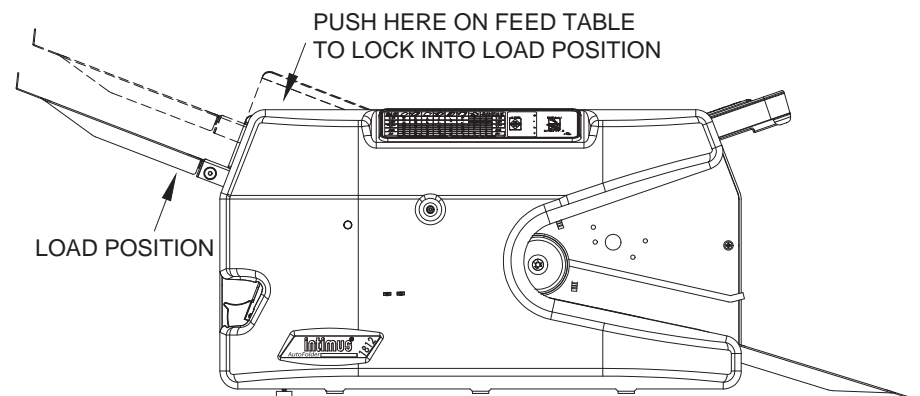


### Using Your Folder

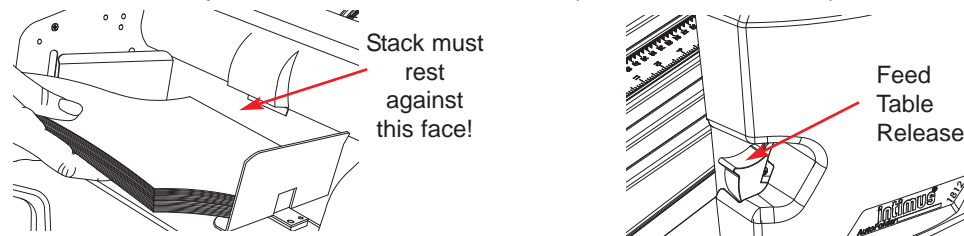
Reach under the second fold table and turn on the power. When the power switch is turned on the green power LED will illuminate.

#### Loading Paper

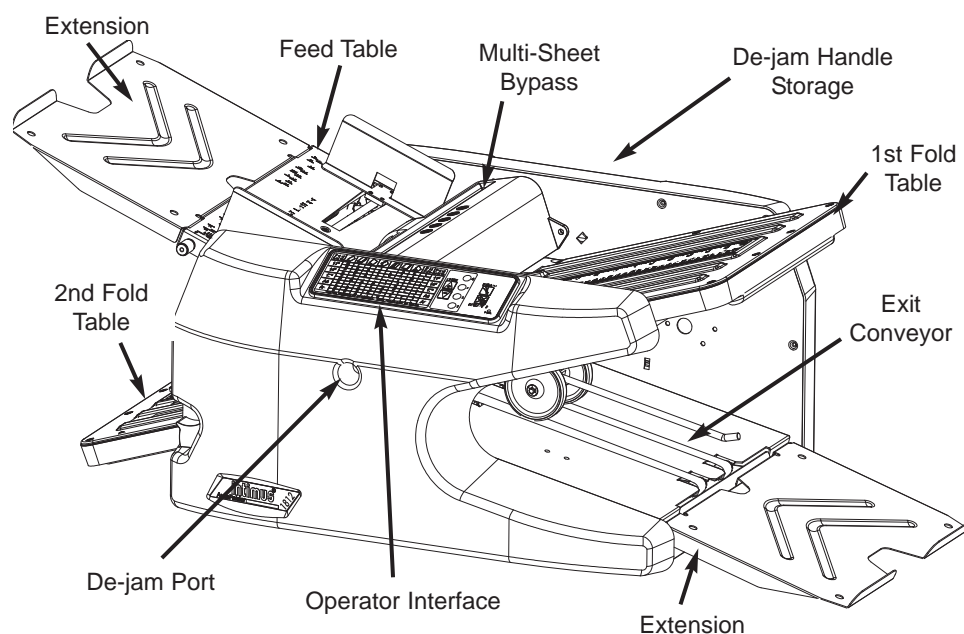
To load paper into the Feed Table, firmly push the Feed Table down, until it locks into the "load" position as shown.



Load the paper into the Feed Table, making sure that the paper is fully within the folder, and that the leading edge of the stack is resting against the face indicated below. Once the Feed Table has been loaded with paper, the Feed Table must be unlocked, allowing the Feed Table to return to the raised position. To unlock the Feed Table, press the Feed Table Release (see illustration below).



### Parts



#### Setting the Paper Guides

If your paper size is different than the factory set paper size, adjust the Paper Guides to the desired size. To adjust the paper guides, loosen the thumb knobs of the Paper Guides located under the Feed Table. Lay a small stack of paper against the locked Paper Guide. Slide the opposite Paper Guide up to the paper and lock it in place. Leave a small gap, about 1/64" (.4mm) between the paper and guides to allow easier paper feeding. **Do not over-tighten the thumb knobs!**

**NOTE: too much gap will cause inconsistent or crooked feeding.**

### Folding Chart

Paper Length								Fold Table	Paper Length
11"	M	D	I	I	O	A	R	1	11"
	E	E	A	B	L	B	I	2	
14"	U	H	L	L	V	C	W	1	14"
	K	K	A	D	Q	D	L	2	
17"	Y	J	Q	Q	1	G	3	1	17"
	M	M	A	H	S	H	P	2	
A4	X	I	P	P	Z	F	2	1	A4
	L	L	A	G	R	G	O	2	
A3	N	E	K	K	S	B	T	1	A3
	F	F	A	C	N	C	J	2	

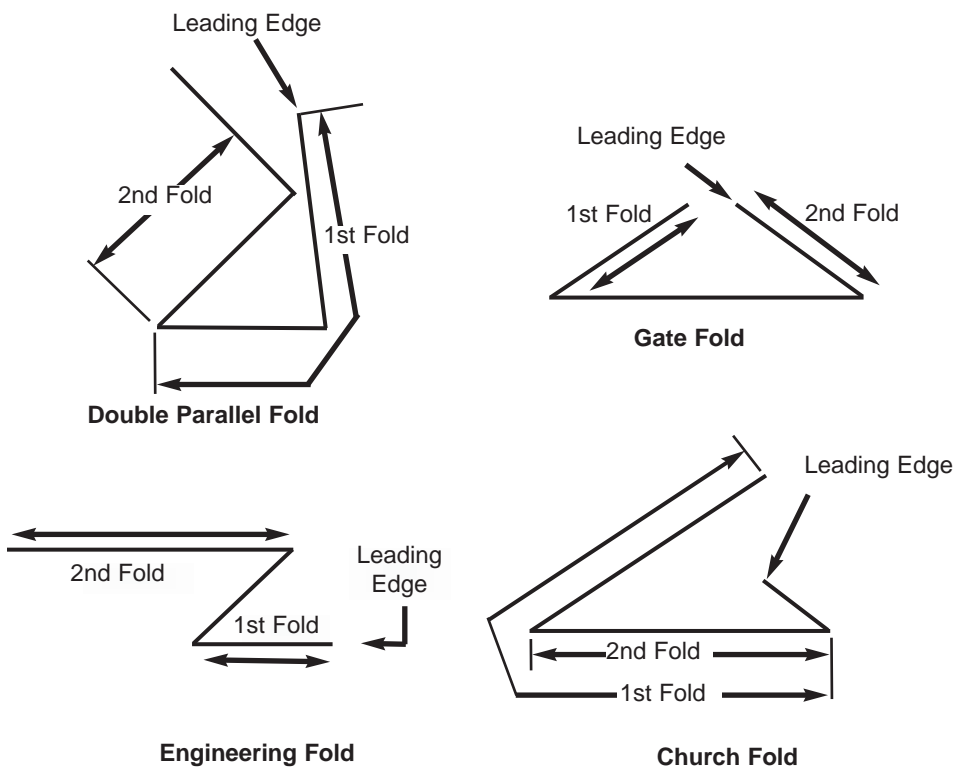
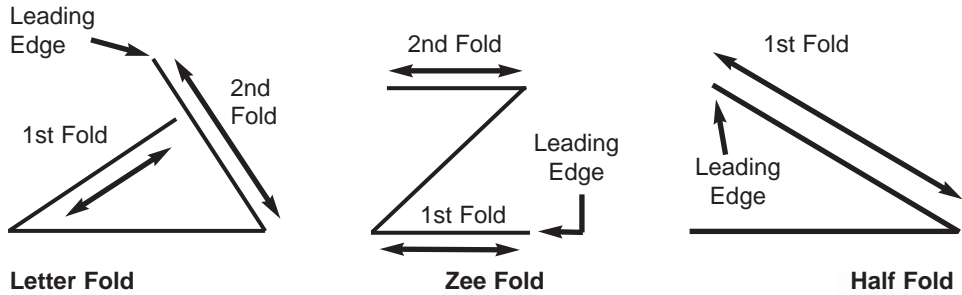
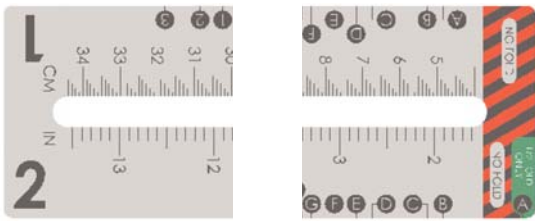
SEE STACK WHEEL ADJUSTMENT LOCATED UNDER 1st FOLD TABLE

#### Setting a Fold Type

Use the following directions, along with the Folding Chart (see illustration above) to create all types of folds. The Folding Chart is located on the Operator Interface for quick reference.

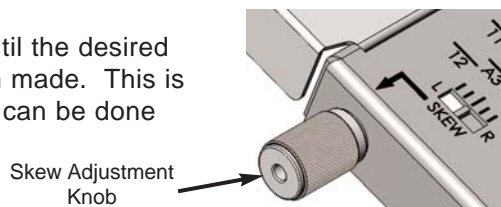
- Loosen the Fold Table Thumb Knob on the 1st Fold Table Assembly and move the Paper Stop to the appropriate circle according to the Folding Chart. Retighten the Fold Table Thumb Knob.

- Loosen the Fold Table Thumb Knob on the 2nd Fold Table and move the Paper Stop to the appropriate circle according to the Folding Chart. Retighten the Fold Table Thumb Knob.
- Place a stack of the paper to be folded on the Feed Table Assembly and set the Paper Guides so that the sheet is centered under the Feed Wheel and slides freely down between the Paper Guides without excessive side play.
- Run the folder and fold several sheets. Stop the folder and inspect the folded sheets for accuracy.
- Make 1st Fold corrections with the 1st Fold Table Paper Stop. Make 2nd Fold corrections with the 2nd Fold Table Paper Stop. (See illustrations below for first and second fold descriptions.)
- After corrections are made, turn on the folder and complete the folding job.



#### Fold Skew Adjustment

Rotate the Skew Adjustment Knob until the desired amount of skew adjustment has been made. This is best done with the folder running but can be done while stopped.



#### Ready to Fold

Pressing the RUN/STOP button will initiate folding. Folding will continue until either the RUN/STOP button is pressed or the Feed Table becomes empty of paper.

#### Stopping the Folder

If the folder is running, pressing the RUN/STOP button once performs a normal shut down, allowing all paper to clear the machine prior to the main motor stopping. Pressing the RUN/STOP button twice in quick succession causes an immediate stop of the main motor. This is to be used for emergency stops only. When ready to begin again, press the bypass button to initiate.

#### Folding Multiple Sheets

Insert up to 4 sheets of 20# Bond paper through the Multi-sheet Bypass. The sheets may be stapled together. To fold multiple sheets together at the same time, place all of the sheets into the Multi-Sheet Bypass. For best results, insure that all of the pages are aligned with each other. Insert stapled edge first.

#### Folder Speed

To adjust the speed of your folder press either the increase or decrease button (Incremental Speed Adjustment buttons). The indicator lights to the right of the Incremental Speed Adjustment buttons show the amount of increase or decrease. Folder speed can be adjusted while the folder is running. For most folding jobs, the folder can be run at full speed (100%). Typically, the only time that the folder is run less than 100% is when folding light weight paper (less than 20#) or if the paper has a glossy or silky smooth finish.

#### Stacking Wheels

The function of the Stacking Wheel Assembly, which is located on the Conveyor Table, is to arrange the folded sheets into an overlapping stack. Position the Stacking Wheel Assembly so that the leading edge of a folded sheet touches the wheels when the trailing edge just falls onto the Conveyor Table. The Stack Wheel Decal gives a quick reference to the correct position based upon fold and paper size.

### Maintenance

#### Feed Wheel

After a period of normal operation, the Feed Wheel will become coated by ink, toner, lint, and other contaminant. Clean the Feed Wheel by wiping with a damp cloth containing a mild soap and water solution. Replace the Feed Wheel when, with a properly adjusted Retarder Assembly, a single sheet will no longer feed successfully.

#### Folding Rollers

During normal operation, the Folding Rollers will become coated with ink, toner, lint, and various other contaminant. Contaminated Folding Rollers can cause a variety of folding problems. We recommend cleaning the Folding Rollers after every folding job, according to the following procedure. Regular cleaning will ensure optimum performance and add years of life to the Folding Rollers.

- Make sure that the power to the machine has been disconnected and locked out.
- Remove the Fold Table Assemblies and open the Top Cover.
- Liberally spray Martin Yale Rubber Roller Cleaner and Rejuvenator across the rollers. Roller Cleaner and Rejuvenator has been specifically formulated for use in cleaning the Folding Rollers. Use of any other cleaner may deteriorate the rollers.
- Utilizing a clean cloth, briskly clean each roller until no more contaminant appear on the cloth surface. Rotate the rollers manually and continue to clean until all roller surfaces are smooth and resilient, not hard or glazed.
- If necessary, remove any glaze with a non-abrasive cleaning pad, such as a 3M Scotchbrite® pad.
- After cleaning, turn on the machine, close the top cover and press and hold the "Bypass" button. This will allow evaporation of any cleaner left on the Folding Rollers. **CAUTION: Rollers can stick together if not allowed to fully dry before storing.**

#### Removing a paper jam

- Remove both fold tables.
- Open the top cover.
- Depress the feed table to the load position.
- Take the "T" handle from the storage compartment.
- Insert the "T" handle into the de-jam port.
- Rotate the "T" handle while pulling on the paper jam.



**! Warning: Don't use the machine, while you are working with the "T"-Handle!**

### Operator Interface

Paper Length	Fold Types							Fold Table	Paper Length
	M	D	I	I	O	A	R		
11"	E	E	A	B	L	B	I	1	11"
14"	U	H	L	L	V	C	W	1	14"
17"	K	K	A	D	Q	D	L	2	17"
	Y	J	Q	Q	1	G	3	1	
A4	M	M	A	H	S	H	P	2	A4
	X	I	P	P	Z	F	2	1	
A3	L	L	A	G	R	G	O	2	A3
	N	E	K	K	S	B	T	1	
	F	F	A	C	N	C	J	2	

SEE STACK WHEEL ADJUSTMENT LOCATED UNDER 1st FOLD TABLE

Incremental Speed Adjustment: 4, 3, 2

Speed Indicator Lights: +, -

BYPASS

Run/Stop

POWER

Power Indicator Light

Fold Table Settings

Fold Table

Speed Indicator Lights

# We Have it All...



## **MyBinding.com** *When Image Matters.*

**Guaranteed Lowest Prices** on an Endless Selection of Binding Systems, Laminators, Paper Shredders, Supplies and Accessories.

**We have you covered** with Expert Advice and Support. Our popular blog keeps you up to date on the latest tips and techniques to make your most important binding and laminating tasks a success.

**Call Us Today**

**1-800-944-4573**

### **Our Trusted Partners**

GBC / Ibico  
Fellowes  
Powis Fastback  
Unibind  
Akiles  
Renz  
Tamerica  
Rhin-O-Tuff  
DFG

Pro-Bind  
Martin Yale  
MBM  
Formax  
Intimus  
Dahle  
HSM  
Standard  
Xyron

Challenge  
Lasko-Wizer  
GBC Shredmaster  
Avery  
Wilson Jones  
Cardinal  
Samsill  
Universal



- BINDING MACHINES
- BINDING SUPPLIES
- LAMINATORS
- I.D. ACCESSORIES
- BOARDS & EASELS
- PAPER SHREDDERS
- XYRON LAMINATORS
- COIL BINDING MACHINES
- UNIBIND BINDING MACHINES
- FASTBACK BINDING EQUIPMENT
- PAPER FOLDING MACHINES
- LAMINATING POUCHES
- ROTARY TRIMMERS
- CLEAR COVERS
- TWIN LOOP WIRE
- REGENCY COVERS
- PLASTIC BINDING COVERS
- VELOBIND BINDING MACHINES
- PAPER HANDLING EQUIPMENT
- THERMAL BINDING MACHINES
- PROCLICK BINDING SYSTEMS
- COMB BINDING MACHINES
- COMB BINDING SUPPLIES
- WIRE BINDING MACHINES
- POUCH LAMINATORS
- LAMINATING ROLLS
- 3-RING BINDERS
- ROLL LAMINATORS
- VELOBIND SPINES
- PAPER CUTTERS
- PAPER JOGGERS
- LETTER OPENERS
- THERMAL COVERS
- UNIBIND SUPPLIES
- PROCLICK SPINES
- ZIPBIND SPINES
- LINEN COVERS
- SPIRAL COIL
- INDEX TABS

