

Martin Yale 1217a Paper Folding Machine

Parts Manual



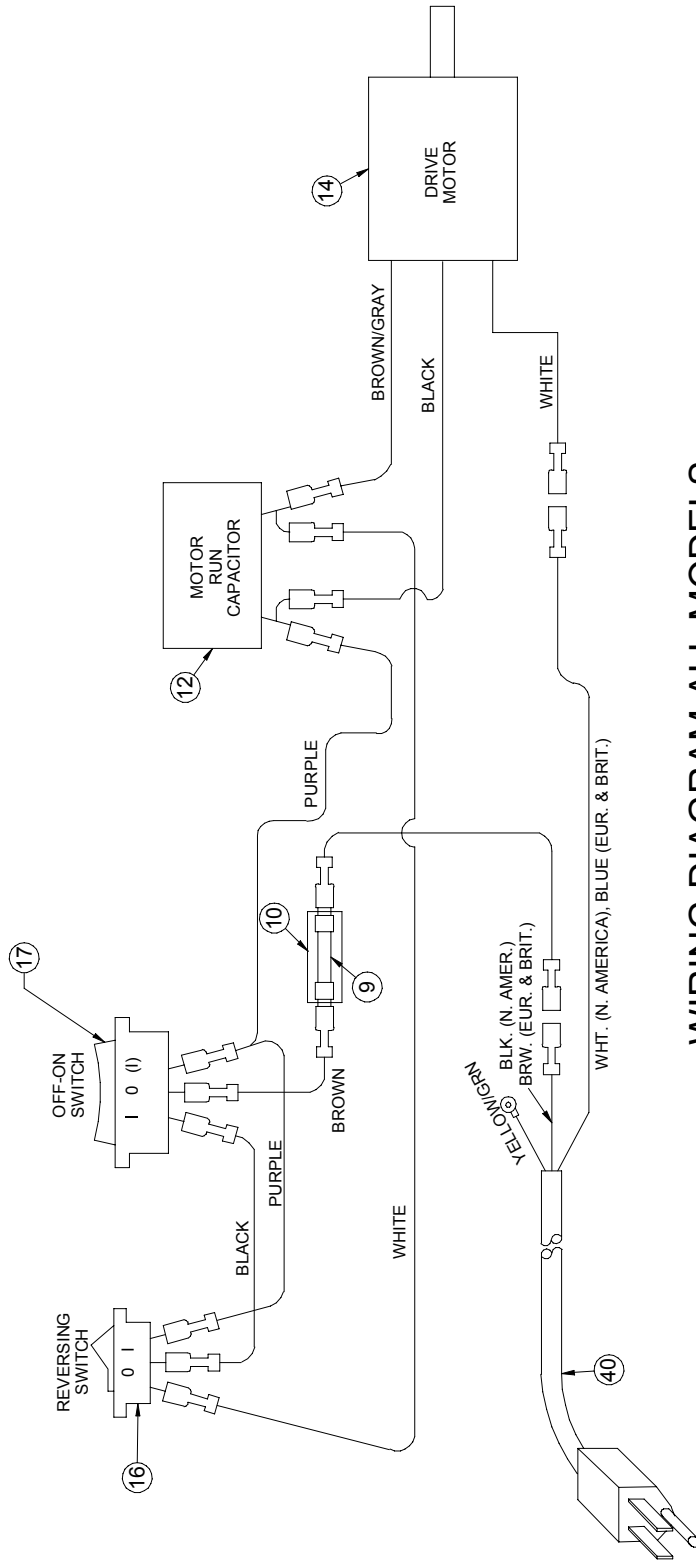
Provided By

MyBinding.com®
When Image Matters.

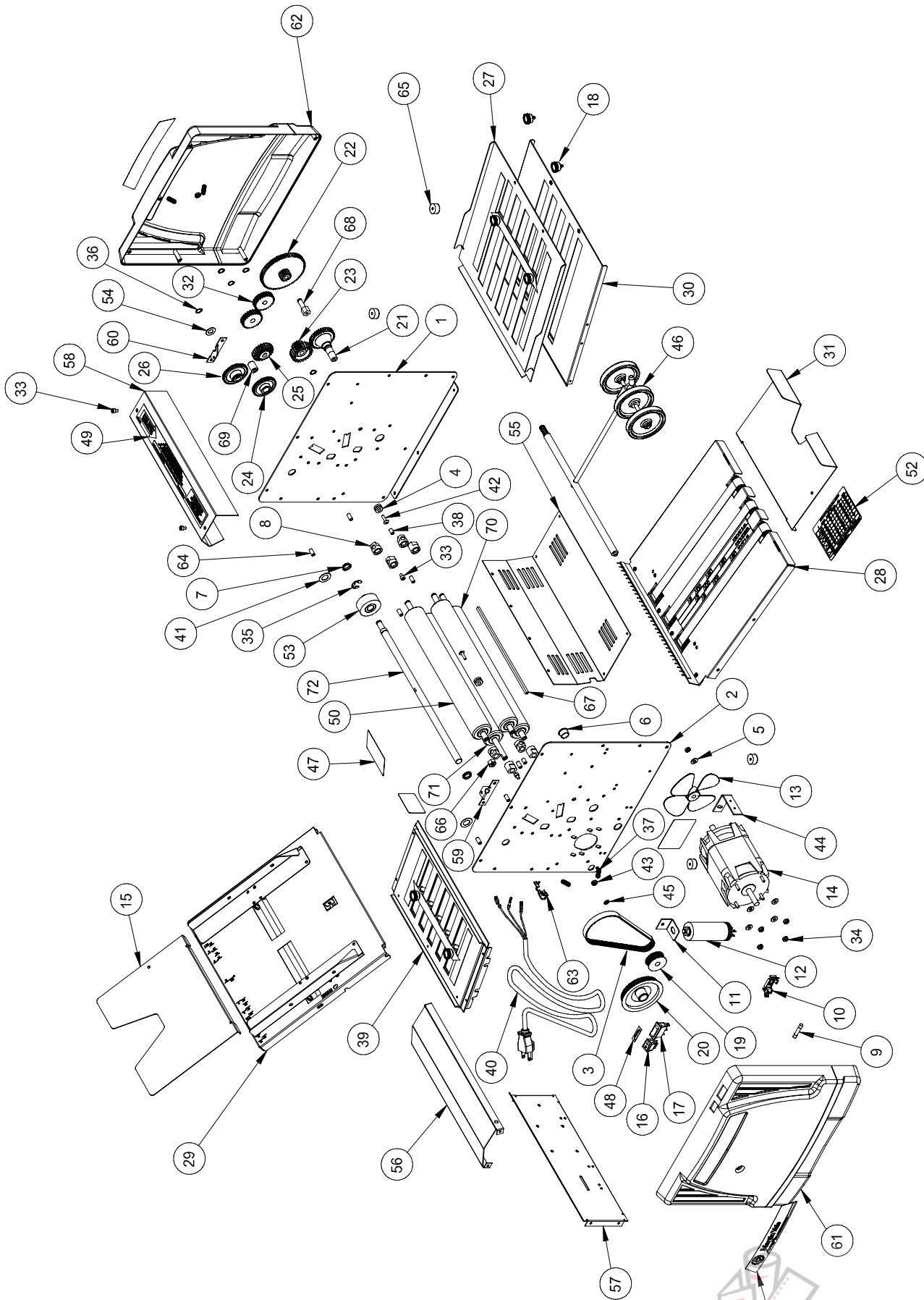
Model 1217A AutoFolder

Parts List & Diagrams

Fig.	Part Number	Description	Qty.
14	M-S021067	110V AC MOTOR	1
	M-S021068	220V AC MOTOR	1
17	M-S033064	ON/OFF/MOMENTARY SWITCH	1
16	M-S033065	SWITCH, REVERSING	1
40	M-S037020	115V USA LINE CORD	1
	M-S037286	EUROPEAN CORD, 10 AMP	1
	M-S045177	BRITISH LINE CORD, 3 AMP	1
12	M-S045280	25UF CAPACITOR, CAN	1
	M-S045249	6MF MOTOR CAP (220V)	1
10	M-S045231	FUSE HOLDER	1
9	M-S63601106	FUSE 5AMP	1



WIRING DIAGRAM ALL MODELS



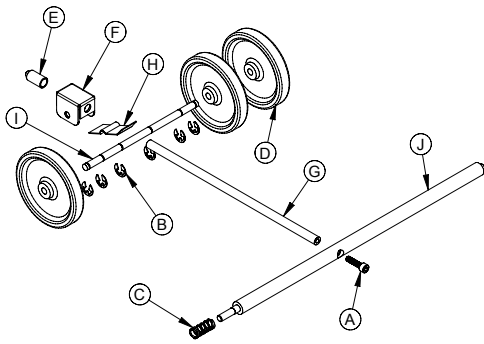
1217A AUTOFOLDER

REVISION DATE: 3/19/07

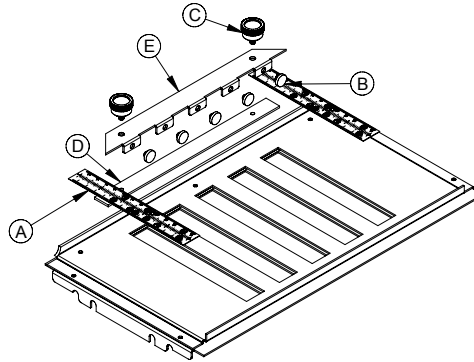
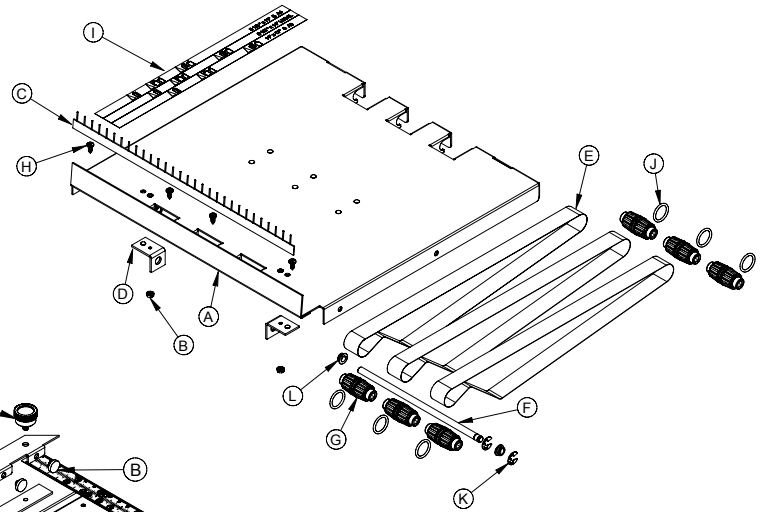
1217A AUTOFOLDER PARTS LIST

Fig.	Part Number	Description	Qty.	Fig.	Part Number	Description	Qty.	Fig.	Part Number	Description	Qty.
1	W-O1217122	LEFT SIDE FRAME	1	25	M-O1217112	FEED DRIVE GEAR	1	49	M-O121761	RESULTS DECAL	1
2	W-O1217123	RIGHT SIDE FRAME	1	26	M-O1217115	FEED CLUTCH GEAR	1	50	WRA1217107	INTERMEDIATE ROLLER	2
3	M-S025055	140T 3MM HTD BELT	2	27	W-A121764*	1ST FOLD TABLE ASSY	1	51	M-O121760	LABEL LOGO	2
4	M-S030051	GROMMET .25ID X .44OD	2	28	W-A1217118*	CONVEYOR TABLE ASSY.	1	52	M-O001569	INST. NAMEPLATE	1
5	M-S001145	10-32 X 3/4" Phil Pan Hd	1	29	W-A1217100*	FEED TABLE ASSY	1	53	M-O1217010	1217 FEED WHEEL	1
6	M-S035022	PANEL BUSHING, UB-625	1	30	W-1121765	1ST FOLD TABLE LOWER	1	54	M-S008115	.38 X .75 X .025 NYLON	1
7	M-S014030	1/2 IGLIDE CLIP BEARING	2	31	W-O1217119	EXIT TRAY	1	55	W-O121751	VENT GUARD	1
8	M-S013009	3/8 ID BUSHING W/FLATS	8	32	M-O003033	GEAR 24T X 3/8ID	2	56	W-O121786	MOTOR COVER	1
9	M-S63601106	FUSE 5AMP 110V	1	33	M-S003085	10-32 X 1/4 SHCS	4	57	W-O121750	CHUTE	1
10	M-S045231	FUSE BLOCK 3AG SING	1	34	M-S007037	M5 KEP NUT	5	58	W-O121788	ROLLER COVER	1
11	W-O1217128	CAPACITOR BRKT	1	35	M-S010006	5133-50 Ext. "E" Ring	1	59	W-O095265	RIGHT ROLLER GUIDE BRKT	1
12	M-S045280	25UF CAPACITOR, CAN	1	36	M-S010002	5100-37 EXT. RET. RING	4	60	W-O095280	LEFT ROLLER GUIDE BRKT	1
12	M-S045256	MOTOR CAP 10MF 370V	1	37	M-S031035	COMP. SPRING, BLUE	4	61	M-O121802	RIGHT SIDE COVER	1
13	M-S037096	41/2" 4BLADE FAN RHB	1	38	M-S019032	1/4 X 3/8 X .17ID SPACER	2	62	M-O121803	LEFT SIDE COVER	1
14	M-S021067	110V AC MOTOR	1	39	W-A121767*	2ND FOLD TABLE ASSY	1	63	M-S035018	HEYCO STRAIN RELIEF	1
14	M-S021068	220V AC MOTOR	1	40	M-S037020	115V USA LINE CORD	1	64	M-O003104	FEED TABLE PINS	7
15	W-O1217101	PAPER SUPPORT	1	40	M-S037286	EUROPEAN CORD, 10 AMP	1	65	M-S030045	RUBBER FOOT	4
16	M-S033065	REVERSING SWITCH	1	40	M-S045177	BRITISH LINE CORD, 3 AMP	1	66	M-O095242	HEX INDEX PIN	1
17	M-S033064	ON/OFF/MOMENT. SWITCH	1	41	M-S008046	.511ID X .9060D X .031	3	67	W-O1217116	CONV DRIVE SHAFT	1
18	M-S032007	8-32 X 1/4" KNOB	2	42	M-S001117	8-32 X 5/8 TRUSS HD	2	68	M-O1217117	CONV IDLER STUD	1
19	M-S022136	32T MOTOR PULLEY	1	43	M-S007006	8-32 HEX KEPS NUT	3	69	W-O1217114	FEED IDLER STUD	1
20	M-O121798	80T COMBO PULLEY	1	44	W-O121757	MOTOR SUPPORT BRKT	1	70	W-A1217109	4TH FOLD ROLLER	1
21	M-O2051063	CONVEYOR DRIVEN GEAR	1	45	M-S63500882	EARTHING DECAL	1	71	W-A1217108	2ND ROLLER	1
22	M-O2051064	CONVEYOR STEP GEAR	1	46	W-A121718*	STACKING WHEEL ASSY	1	72	W-O1217111	FEED SHAFT	1
23	M-O2051065	4TH ROLLER GEAR	1	47	M-S015288	BLANK SERIAL LABEL	3				
24	M-O1217113	FEED IDLER GEAR	1	48	M-O121730	1217 REVERSING LABEL	1				

* SEE ASSEMBLY DIAGRAM ON PAGE 4

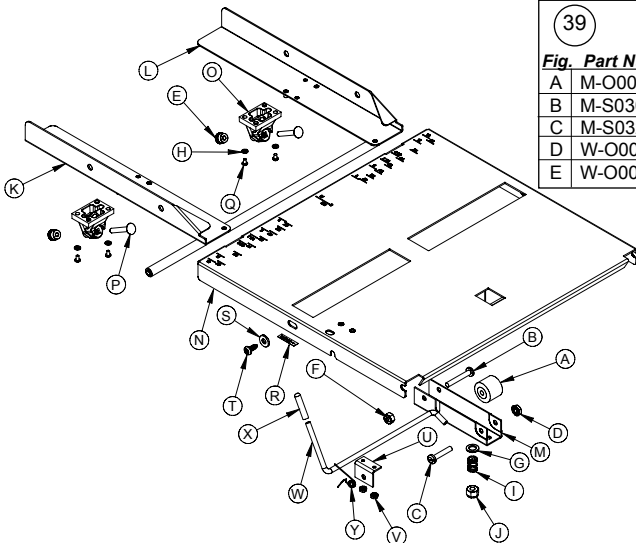


46 W-A121718 STACK WHEEL ASSY			
Fig.	Part Number	Description	Qty.
A	M-S003045	10-32X1/2 SOCKET HEAD	1
B	M-S010004	5133-25 EXT. E-RING	6
C	M-S031050	COMPRESSION SPRING LG.	1
D	M-S034001	L30-4 BLACK 3" WHEEL	3
E	M-S043068	VINYL CAP .281 ID X .63	1
F	W-O003090	AXLE HOUSING	1
G	W-O003093	STACK WHEEL SHAFT	1
H	W-O008013	STACKING FINGER	1
I	W-O121776	STACK WHEEL AXLE	1
J	W-O121777	STACK WHEEL BAR	1

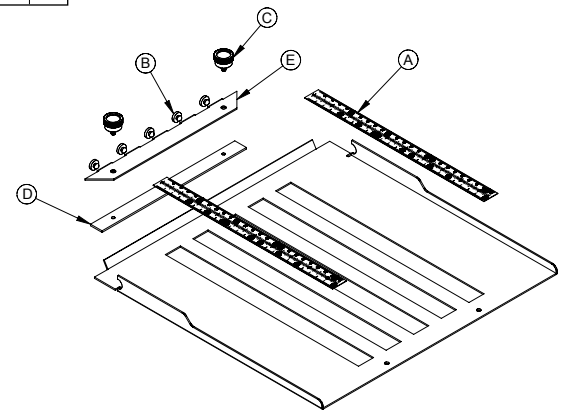


39 W-A121767 2ND FOLD TABLE ASSY			
Fig.	Part Number	Description	Qty.
A	M-O001568	LOWER FOLD TABLE RULER	2
B	M-S030015	PAPER STOP BUMPER	5
C	M-S032007	FOLD TABLE THUMB KNOB	2
D	W-O001507	PAPER STOP BRACKET	1
E	W-O001534	BLACK PAPER STOP	1

28 W-A121718 CONVEYOR TABLE ASSY			
Fig.	Part Number	Description	Qty.
A	W-A121718/1	PEM CONVEYOR TABLE	1
B	M-S63801522	4-40 HEX KEPSNUT Z/P	2
C	M-O2051076	ANTI-STATIC STRIP	1
D	W-O2051078	TENSION SHAFT BRKT	2
E	M-S024013	.75X26.25 CONV BELT	3
F	W-O1217121	TENSION SHAFT	1
G	M-O2051072	CONV BELT DRIVE PULLEY	6
H	M-S004003	6X3/8 PHIL PAN HD AB	4
I	M-O1217120	STACK WHEEL DECAL	1
J	M-S023058	O-RING #113 EPDM	6
K	M-S010004	5133-25 EXT."E" RING	2
L	M-S014016	4L1-FF NYLINER	2



29 W-A1217100 FEED TABLE ASSY							
Fig.	Part Number	Description	Qty.	Fig.	Part Number	Description	Qty.
A	WRA003116	RETARDER ASSY	1	N	W-F1217100	PEM FEED TABLE	1
B	M-S001021	10-32X1.25 PHL PAN/HD	1	O	M-O2051163	PAPER GUIDE CLAMP	2
C	M-S001081	10-32X1 SLOT PAN HD	1	P	M-S006040	10-24X1.25 CARRIAGE	2
D	M-S007008	10-32 HEX KEPS NUT	1	Q	M-S001132	4-40X1/4 PHMS,PHL.ZP	4
E	M-S032070	1/4-20 D/C THUMB NUT	2	R	M-O1217151	BYPASS LABEL	1
F	M-S007040	10-32 ELASTIC NUT	1	S	M-S008005	10 WASHER	1
G	M-S008011	1/4X9/16X1/16 NYLON F/W	1	T	M-S63751627	10-32X1/2 BUTT HD SCREW	1
H	M-S008035	#4 FLAT WASHER,ZINC	4	U	W-O1217106	BYPASS LEVR BRKT P/C	1
I	M-S031093	LEE SPRING LC-035F-1	1	V	M-S63801522	4-40 HEX KEPSNUT Z/P	2
J	M-S007047	1/4-20 ELASTIC STOP	1	W	M-O1217104	BYPASS LEVER	1
K	W-I1217103	PEM PAPER GUIDE, RIGHT	1	X	M-S030055	RUBBER CAP, 5/32 X1	1
L	W-I1217102	PEM PAPER GUIDE, LEFT	1	Y	M-S031106	BYPASS TORSION SPRING	1
M	W-O007511	RETARDER HOLDER, B/O	1				



27 W-A121764 1ST FOLD TABLE ASSY			
Fig.	Part Number	Description	Qty.
A	M-O001566	1ST FOLD RULER, 1217A	2
B	M-S030015	PAPER STOP BUMPER	5
C	M-S032007	FOLD TABLE THUMB KNOB	2
D	W-O001507	PAPER STOP BRACKET	1
E	W-O001534	BLACK PAPER STOP	1

NOTE: ANY PART NOT LABELED IN THE ASSEMBLY DIAGRAMS MAY ONLY BE ORDERED AS A COMPLETE ASSEMBLY.



MARTIN YALE
Industries
251 Wedcor Avenue • Wabash, IN 46992
Phone: (260)563-0641 • Fax: (260)563-4575

Website: www.martinyale.com • Email: info@martinyale.com



We Have it All...



MyBinding.com *When Image Matters.*

Guaranteed Lowest Prices on an
Endless Selection of Binding Systems, Laminators,
Paper Shredders, Supplies and Accessories.

We have you covered with Expert Advice
and Support. Our popular blog keeps you up to
date on the latest tips and techniques to make
your most important binding and laminating
tasks a success.

Call Us Today

1-800-944-4573

Our Trusted Partners

GBC / Ibico

Fellowes

Powis Fastback

Unibind

Akiles

Renz

Tamerica

Rhin-O-Tuff

DFG

Pro-Bind

Martin Yale

MBM

Formax

Intimus

Dahle

HSM

Standard

Xyron

Challenge

Lasko-Wizer

GBC Shredmaster

Avery

Wilson Jones

Cardinal

Samsill

Universal



- BINDING MACHINES
- BINDING SUPPLIES
- LAMINATORS
- I.D. ACCESSORIES
- BOARDS & EASELS
- PAPER SHREDDERS
- XYRON LAMINATORS
- COIL BINDING MACHINES
- UNIBIND BINDING MACHINES
- FASTBACK BINDING EQUIPMENT
- PAPER FOLDING MACHINES
- LAMINATING POUCHES
- ROTARY TRIMMERS
- CLEAR COVERS
- TWIN LOOP WIRE
- REGENCY COVERS
- PLASTIC BINDING COVERS
- VELOBIND BINDING MACHINES
- PAPER HANDLING EQUIPMENT
- THERMAL BINDING MACHINES
- PROCLICK BINDING SYSTEMS
- COMB BINDING MACHINES
- COMB BINDING SUPPLIES
- WIRE BINDING MACHINES
- POUCH LAMINATORS
- LAMINATING ROLLS
- 3-RING BINDERS
- ROLL LAMINATORS
- VELOBIND SPINES
- PAPER CUTTERS
- PAPER JOGGERS
- LETTER OPENERS
- THERMAL COVERS
- UNIBIND SUPPLIES
- PROCLICK SPINES
- ZIPBIND SPINES
- LINEN COVERS
- SPIRAL COIL
- INDEX TABS