

# Martin Yale PolyBoard P200 Series Paper Cutters

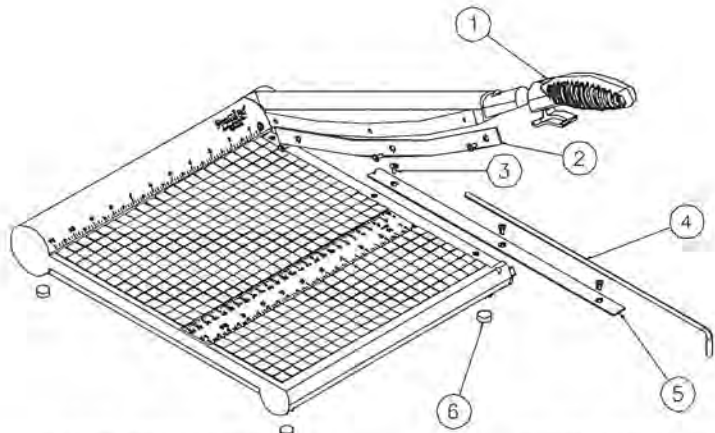
## Instruction Manual



Provided By

**MyBinding.com**  
*When Image Matters.*

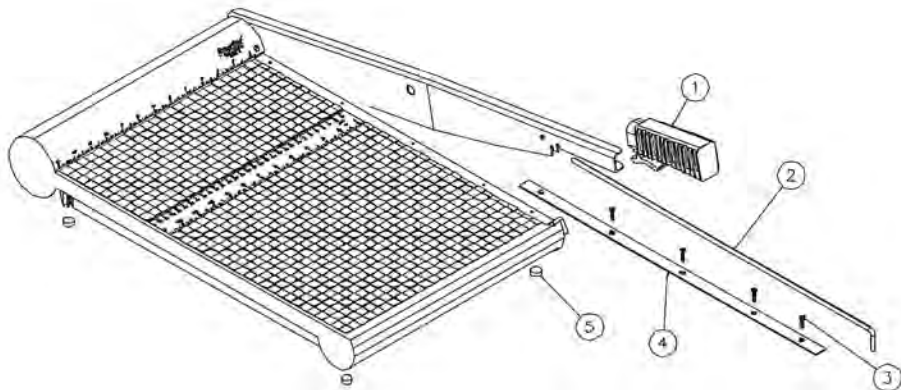
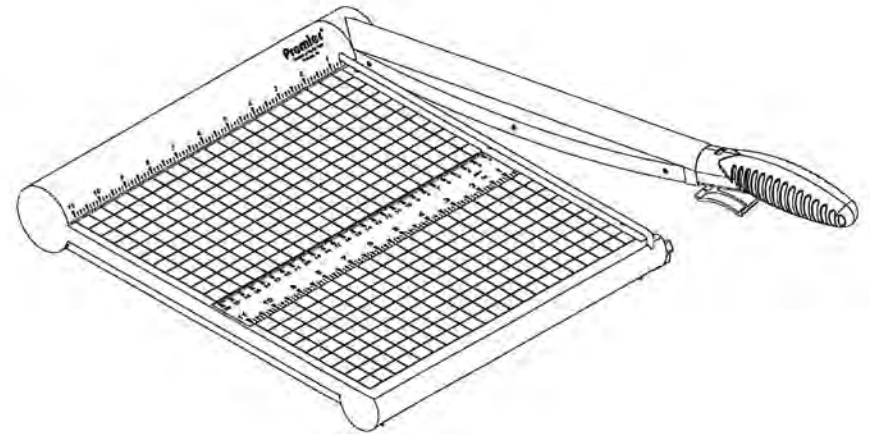
# Premier® PolyBoard Paper Trimmers



P212X PARTS LIST

P215X PARTS LIST

Part Number	Description	Qty.	Part Number	Description	Qty.
1	M-0017801	POLY ARM HAND GRIP	1	M-0017801	POLY ARM HAND GRIP
2	W-0017811	12" CURVED BLADE	2	W-0017821	15" CURVED BLADE
3	M-S004019	POLY BLADE SCREW	3	M-S004019	POLY BLADE SCREW
4	W-0017813	12" POLYTRIM GUARD	4	W-0017823	15" POLY GUARD
5	W-0017812	12" BED BLADE	5	W-0017822	15" BED BLADE
6	M-S030018	POLYBOARD RUBBER FEET	6	M-S030018	POLYBOARD RUBBER FEET



P218X PARTS LIST

Part Number	Description	Qty.
1	M-O112006	HAND GRIP W/TRIGGER
2	W-0017726	FINGER GUARD
3	M-S004004	6 X 5/8 PHIL FLT HD AB
4	W-0017818	18" POLY STRAIGHT BLADE
5	M-S030018	POLYBOARD RUBBER FEET

## Key Features and Benefits

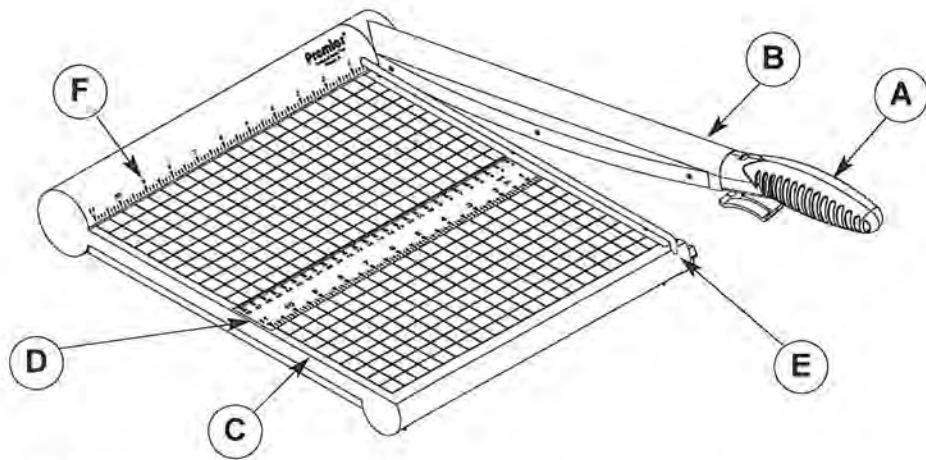
- Self-sharpening stainless steel blades cut up to 10 sheets
- Permanent 1/2" grid and dual rulers for proper paper alignment
- Patented automatic blade latch locks with every cutting motion
- Finger guard helps protect the entire blade length
- Torsion spring counterbalances blade arm
- Non-skid feet

## Model Numbers

- P212X – 12" cutting length
- P215X – 15" cutting length
- P218X – 18" cutting length

Literature Part No. M-S027084  
Rev.1 6/27/03



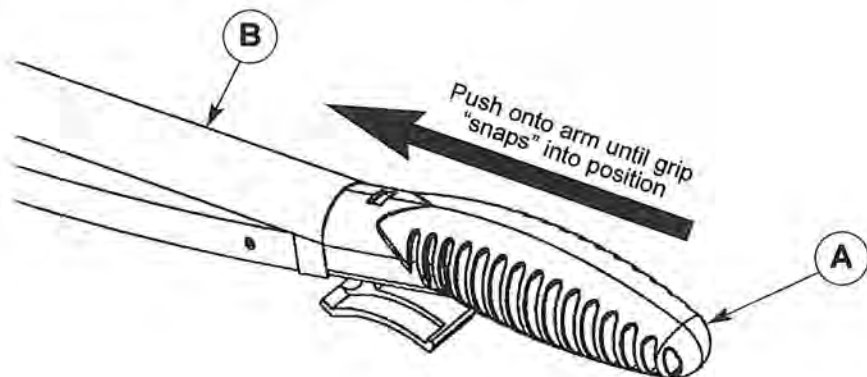


### Key Components

- A – Hand Grip (*note model P218X has a different style grip and latch*)
- B – Blade Arm
- C – PolyBoard Base
- D – Alignment Ruler
- E – Finger Guard
- F – Paper Guide Ruler

### Assembly Instructions (*for models P212X and P215X only*)

1. Place the trimmer on a flat surface
2. Hold the top of the blade arm (B) with one hand, being careful not to touch the blade, and the hand grip (A) with the other hand.
3. Slide the hand grip (A) onto the blade arm (B). The tab on the blade arm (B) should snap firmly into the notch on the hand grip (A). The trimmer is now ready for use.



### Operating Instructions

1. Place the trimmer on a flat, stable surface
2. Release the blade latch, which is located on the hand grip (A)
3. Lift the blade arm (B) up into cutting position
4. Using the rulers or the 1/2" grid, align the paper to the proper position, pushing it up against the paper guide ruler (F).

#### **CAUTION:**

**Keep hands and fingers behind the finger guard (E) at all times, away from the cutting blades**

5. While holding the paper down with your left hand (to make sure it stays in place), pull down the blade arm (B) to cut.
6. Always make sure that the blade arm is completely down and locked when not in use.

### Safety Information

- Always ensure that the blade arm is fully pushed down, and that the blade latch is engaged, when not in use
- Never operate the trimmer without the finger guard in place
- Always keep clothing, jewelry, watches, and hair away from the cutting blade
- Keep out of the reach of children
- Do not carry the trimmer by the hand grip or the blade arm

### For Best Cutting Performance

Use Trim-Ease Blade Lubricant for a smoother cut and to help preserve the life of the cutting blade. To order, send \$4.00 per stick and a self-addressed, stamped envelope to the address below.

### Customer Service

**Telephone:** (260) 563-0641  
**Fax:** (260) 563-4745  
**Email:** info@martinyale.com  
**Internet:** www.martinyale.com  
**Address:** Martin Yale Industries, Inc.  
 251 Wedcor Avenue  
 Wabash, IN 46992

Visit [www.martinyale.com](http://www.martinyale.com) for information on office products, including paper folding machines, punches, letter openers, catalog racks, and computer keyboard drawers.

# We Have it All...



# MyBinding.com

*When Image Matters.*

**Guaranteed Lowest Prices** on an  
Endless Selection of Binding Systems, Laminators,  
Paper Shredders, Supplies and Accessories.

**We have you covered** with Expert Advice  
and Support. Our popular blog keeps you up to  
date on the latest tips and techniques to make  
your most important binding and laminating  
tasks a success.

**Call Us Today**

**1-800-944-4573**

## Our Trusted Partners

GBC / Ibico  
Fellowes  
Powis Fastback  
Unibind  
Akiles  
Renz  
Tamerica  
Rhin-O-Tuff  
DFG

Pro-Bind  
Martin Yale  
MBM  
Formax  
Intimus  
Dahle  
HSM  
Standard  
Xyron

Challenge  
Lasko-Wizer  
GBC Shredmaster  
Avery  
Wilson Jones  
Cardinal  
Samsill  
Universal



- BINDING MACHINES
- BINDING SUPPLIES
- LAMINATORS
- I.D. ACCESSORIES
- BOARDS & EASELS
- PAPER SHREDDERS
- XYRON LAMINATORS
- COIL BINDING MACHINES
- UNIBIND BINDING MACHINES
- FASTBACK BINDING EQUIPMENT
- PAPER FOLDING MACHINES
- LAMINATING POUCHES
- ROTARY TRIMMERS
- CLEAR COVERS
- TWIN LOOP WIRE
- REGENCY COVERS
- PLASTIC BINDING COVERS
- VELOBIND BINDING MACHINES
- PAPER HANDLING EQUIPMENT
- THERMAL BINDING MACHINES
- PROCLICK BINDING SYSTEMS
- COMB BINDING MACHINES
- COMB BINDING SUPPLIES
- WIRE BINDING MACHINES
- POUCH LAMINATORS
- LAMINATING ROLLS
- 3-RING BINDERS
- ROLL LAMINATORS
- VELOBIND SPINES
- PAPER CUTTERS
- PAPER JOGGERS
- LETTER OPENERS
- THERMAL COVERS
- UNIBIND SUPPLIES
- PROCLICK SPINES
- ZIPBIND SPINES
- LINEN COVERS
- SPIRAL COIL
- INDEX TABS

