

Martin Yale 1632 Automatic Letter Opener

Parts List



Provided By

MyBinding.com®
When Image Matters.

Premier®

1632 Automatic Letter Opener

PARTS LIST

REVISED 4/25/03

NO.	PART #	DESCRIPTION	QTY	No.	PART #	DESCRIPTION	QTY
1	M-O163201	IDLER PULLEY	1	23	M-S004003	6 X 3/8 PHIL PAN HD AB	4
2	M-O163202	ECCENTRIC PULLEY	1	24	M-S007008	10-32 HEX KEPS NUT	1
3	M-O163203	DRIVE PULLEY	1	25	M-S008005	3/16 SAE FLAT WASHER	1
4	M-O163204	CHASSIS MOTOR FRAME	1	26	M-S008087	#8 FLAT WASHER	2
5	W-O163205	CUTTER GUARD	1	27	M-S010002	5100-37 EXT. RET. RING	8
6	M-O163206	LOWER HOUSING	1	28	M-S010004	5133-25 EXT. "E" RING	2
7	M-O163207	UPPER HOUSING	1	29	M-S010005	5100-25 EXT. RET. RING	2
8	W-O163208	UPPER BLADE SPRING	1	30	M-S020003	1/4 X 5/8 X .19 BALL BRG	2
9	W-O163209	INTERLOCK ACTUATOR STP	1	31	M-S021051	1632 MOTOR 115 VAC	1
10	W-O163210	DECK PANEL	1	32	M-S022095	2GT 17T PULLEY 3/16 ID	1
11	W-O163212	CONVEYOR IDLER	2	33	M-S023042	#316 O'RING EPDM	2
12	W-A163213	UPPER BLADE ASSEMBLY	1	34	M-S025044	2GT X 300MM TIMING BELT	1
13	M-O163214	CONVEYOR BELT	2	35	M-S030001	RUBBER FOOT	4
14	W-O163215	CONVEYOR DRIVE SHAFT	1	36	M-S030020	3/4 SQ. X .35 RUBBER FT	1
15	M-O163216	HOLD BACK WHEEL	2	37	M-S033066	ROCKER SWITCH	1
16	W-O163217	HOLD BACK ARM	1	38	M-S033067	1632 MICRO SWITCH	1
17	M-O163219	HOLD BACK SPACER	1	39	M-S037088	2.5 RH FAN BLADE .187 ID	1
18	M-O163220	HOLD BACK SPRING	1	40	WRA045239	POWER CORD ASSY	1
19	W-A163222	LOWER BLADE ASSEMBLY	1	41	M-S045231	FUSE BLOCK 3AG SING	1
20	W-O163224	HOLD BACK SHAFT	1	42	M-S63601106	FUSE 5 AMP 110V	1
21	M-O163225	GEAR & PULLEY COMBO	1	43	M-S035035	HEYCO RELIEF SR4L-4	1
22	M-O163226	36T SPUR GEAR HUB	1				

Manufactured in the U.S.A. by:

Premier

Division of Martin Yale Industries, Inc.

251 Wedcor Avenue • Wabash, IN 46992

email: info@martinyale.com

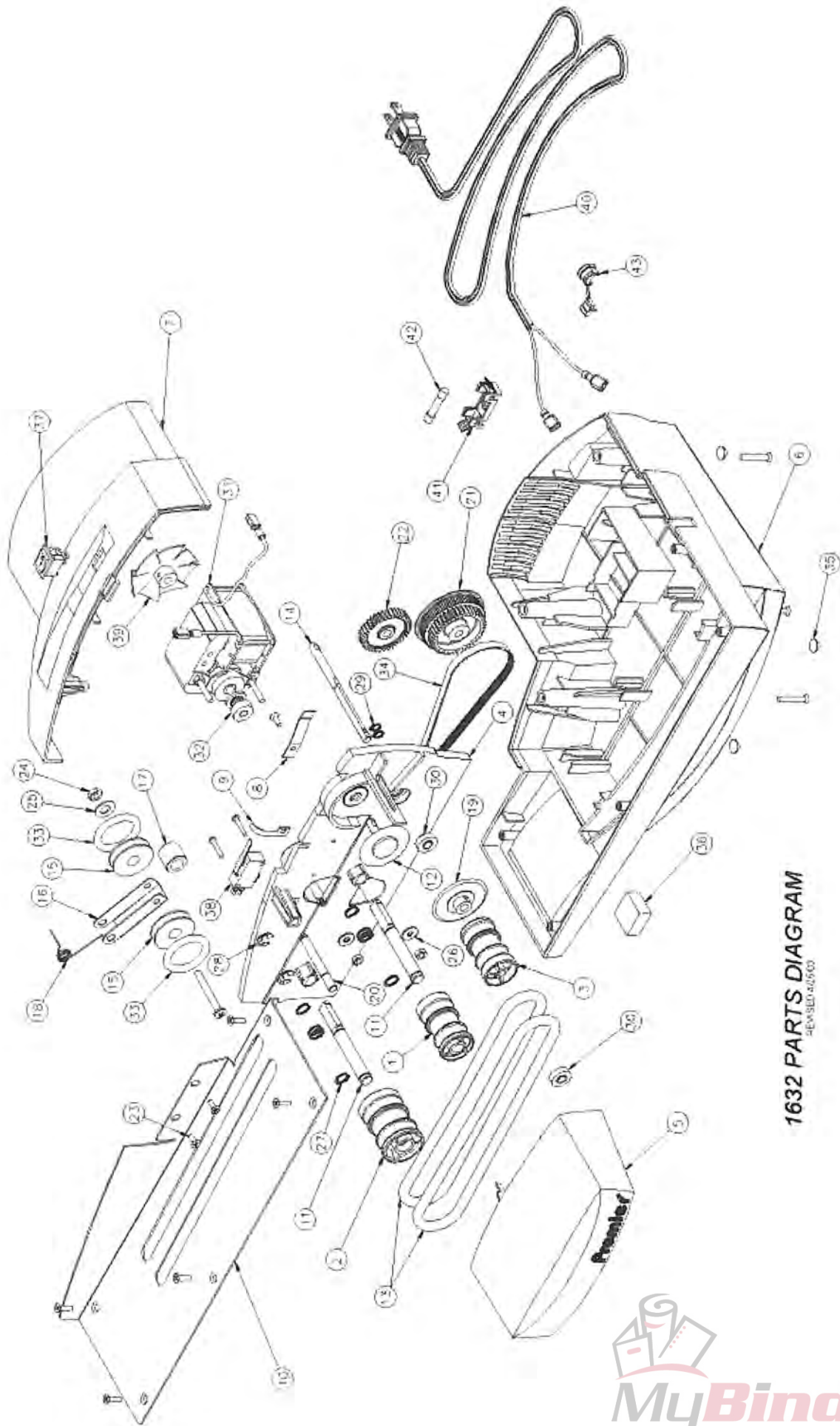
web-site: www.martinyale.com

Phone (260) 563-0641 • Fax (260) 563-4575



MyBinding.com

When Image Matters.



1632 PARTS DIAGRAM
REVISED 4/25/00

We Have it All...



MyBinding.com

When Image Matters.

Guaranteed Lowest Prices on an
Endless Selection of Binding Systems, Laminators,
Paper Shredders, Supplies and Accessories.

We have you covered with Expert Advice
and Support. Our popular blog keeps you up to
date on the latest tips and techniques to make
your most important binding and laminating
tasks a success.

Call Us Today

1-800-944-4573

Our Trusted Partners

GBC / Ibico

Fellowes

Powis Fastback

Unibind

Akiles

Renz

Tamerica

Rhin-O-Tuff

DFG

Pro-Bind

Martin Yale

MBM

Formax

Intimus

Dahle

HSM

Standard

Xyron

Challenge

Lasko-Wizer

GBC Shredmaster

Avery

Wilson Jones

Cardinal

Samsill

Universal



- BINDING MACHINES
- BINDING SUPPLIES
- LAMINATORS
- I.D. ACCESSORIES
- BOARDS & EASELS
- PAPER SHREDDERS
- XYRON LAMINATORS
- COIL BINDING MACHINES
- UNIBIND BINDING MACHINES
- FASTBACK BINDING EQUIPMENT
- PAPER FOLDING MACHINES
- LAMINATING POUCHES
- ROTARY TRIMMERS
- CLEAR COVERS
- TWIN LOOP WIRE
- REGENCY COVERS
- PLASTIC BINDING COVERS
- VELOBIND BINDING MACHINES
- PAPER HANDLING EQUIPMENT
- THERMAL BINDING MACHINES
- PROCLICK BINDING SYSTEMS
- COMB BINDING MACHINES
- COMB BINDING SUPPLIES
- WIRE BINDING MACHINES
- POUCH LAMINATORS
- LAMINATING ROLLS
- 3-RING BINDERS
- ROLL LAMINATORS
- VELOBIND SPINES
- PAPER CUTTERS
- PAPER JOGGERS
- LETTER OPENERS
- THERMAL COVERS
- UNIBIND SUPPLIES
- PROCLICK SPINES
- ZIPBIND SPINES
- LINEN COVERS
- SPIRAL COIL
- INDEX TABS