

# Martin Yale 1217a Automatic Paper Folding Machine

**Parts List  
(34602 - 49999)**



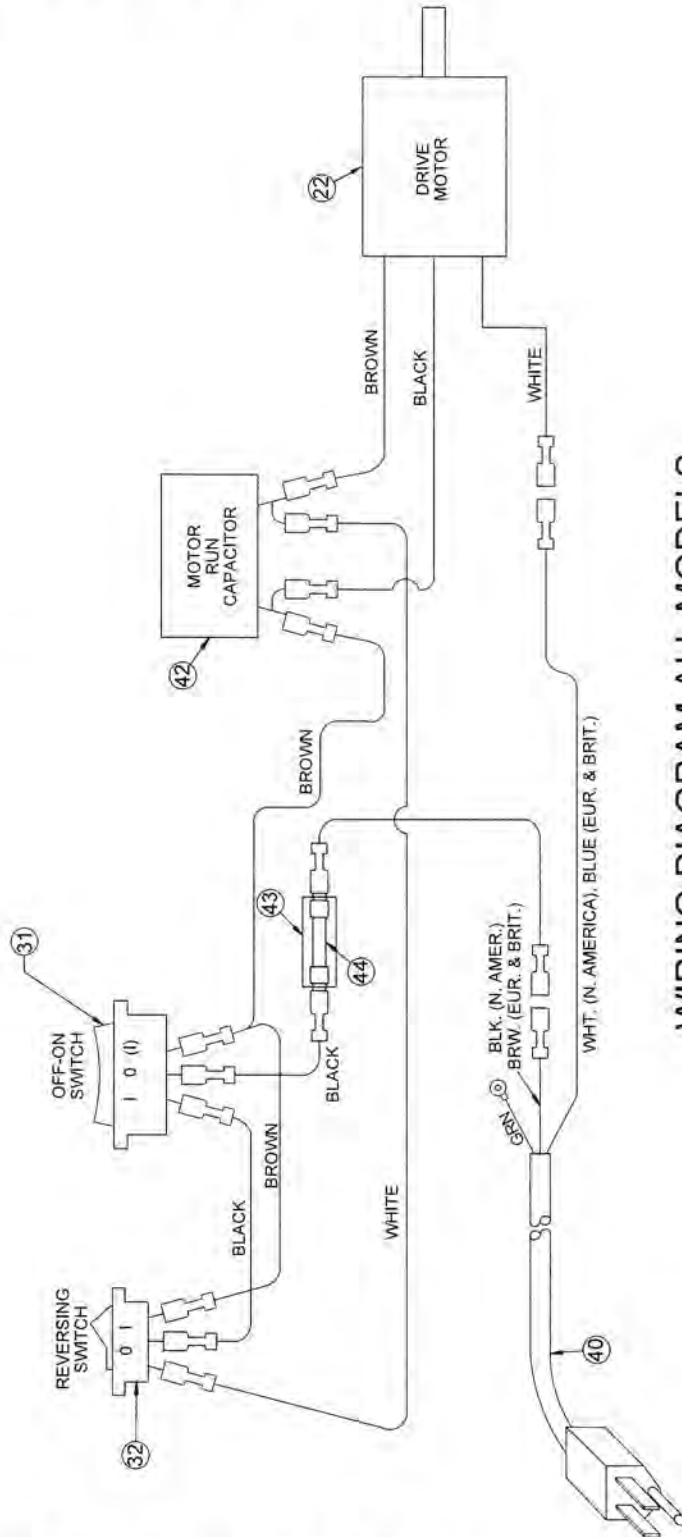
Provided By

**MyBinding.com**  
*When Image Matters.*

# Model 1217A AutoFolder

## Parts List & Diagrams

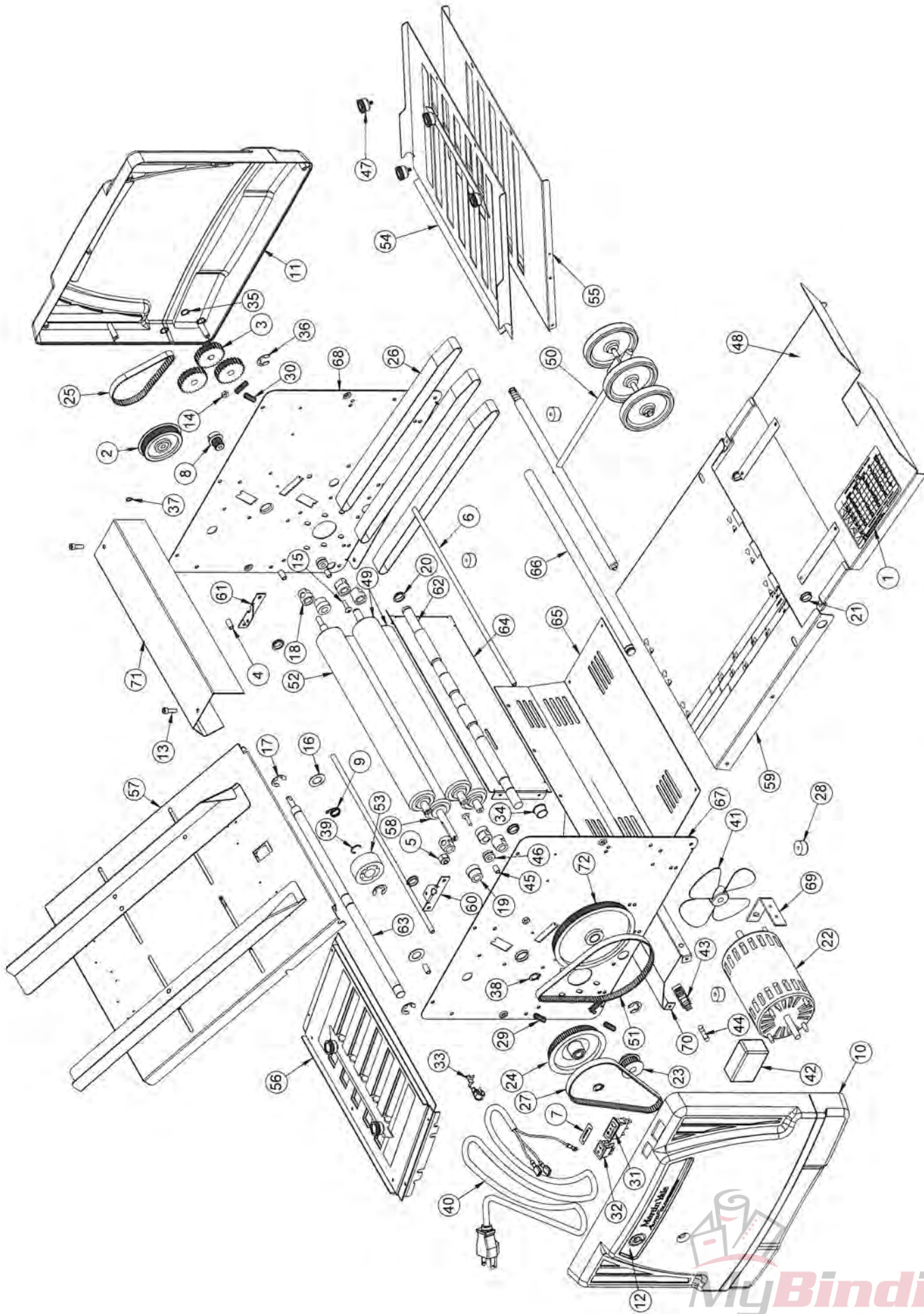
Fig.	Part Number	Description	Qty.
22	WRA021067	110V AC MOTOR	1
	M-S021068	220V AC MOTOR	1
31	M-S033064	ON/OFF/MOMENTARY SWITCH	1
32	M-S033065	SWITCH, REVERSING	1
40	M-S037020	115V USA LINE CORD	1
	M-S037286	EUROPEAN CORD, 10 AMP	1
	M-S045177	BRITISH LINE CORD, 3 AMP	1
42	M-S045101	CAPACITOR FOR 110V, 20uf	1
	M-S045102	CAPACITOR FOR 220V, 8uf	1
43	M-S045231	FUSE HOLDER	1
44	M-S63601106	FUSE 5AMP 110V	1



WIRING DIAGRAM ALL MODELS



**Martin Yale**  
INDUSTRIES, INC.



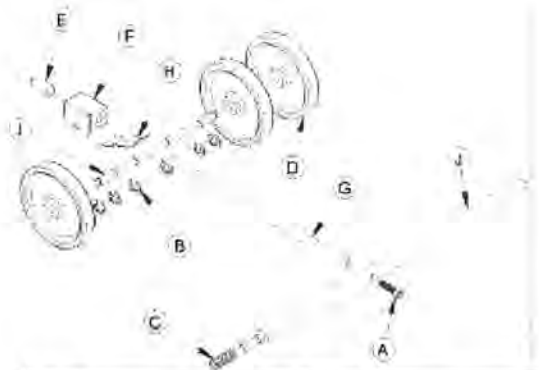
1217 AUTOFOLDER  
REVISION DATE: 4/25/03

# 1217 AUTOFOLDER PARTS LIST

REV. 3

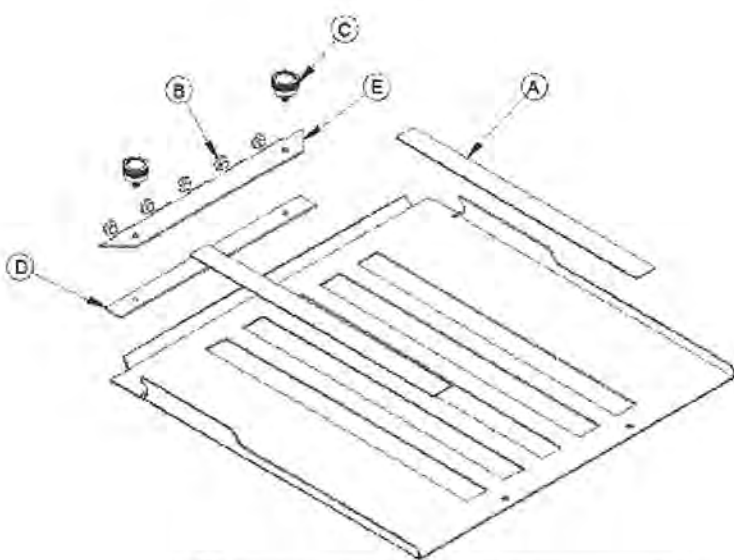
Fig.	Part Number	Description	Qty.	Fig.	Part Number	Description	Qty.	Fig.	Part Number	Description	Qty.
1	M-O001569	FOLD TABLE LABEL	1	26	M-S023053	CONVEYOR BELT	3	49	WRA121712	1217 FOLD ROLLER	2
2	M-O501014	60T TAB DRIVE PULLEY	1	27	M-S025055	140 3MM HTD BELT	1	50	W-A121718*	STACKING WHEEL ASSY	1
3	M-O003033	NYLON GEAR 24T X 3/8 ID	3	28	M-S030045	RUBBER FOOT	4	51	M-S121791	145 GRY HTD 3MM BELT	1
4	M-O003104	FEED TABLE PINS	3	29	M-S031035	COMPRESSION SPRING, BLUE	4	52	W-A121793	1ST FOLD ROLLER	1
5	M-O095242	TAPERED INDEX PIN	1	30	M-S031059	BARRELL SPRING	2	53	WRA121745	FEED WHEEL ASSY	1
6	M-O121729	TIE ROD	2	31	M-S033064	ON/OFF/MOMENTARY SWITCH	1	54	W-A121764*	1ST FOLD TABLE ASSY	1
7	M-O121730	1217 REVERSING LABEL	1	32	M-S033065	SWITCH, REVERSING	1	55	W-I121765	1ST FOLD TABLE LOWER	1
8	M-O121792	15T HTD 3MM PULLEY	1	33	M-S035018	RIGHT ANGLE STRAIN RELIEF	1	56	W-A121767*	2ND FOLD TABLE ASSY	1
9	M-O121746	1217 CLUTCH SPRING	1	34	M-S035022	PANEL BUSHING, UB-625	1	57	W-A121768*	FEED TABLE ASSY	1
10	M-O121802	RIGHT SIDE COVER	1	35	M-S010002	5100-25 EXT. RET. RING	3	58	W-A121771	DRIVE ROLLER, LONG SHAFT	1
11	M-O121803	LEFT SIDE COVER	1	36	M-S010003	5100-50 EXT. RET. RING	4	59	W-F121763	CONVEYOR TABLE W/DECAL	1
12	M-O121760	LABEL LOGO	2	37	M-S010005	5100-25 EXT. RET. RING	1	60	W-O095265	RIGHT ROLLER GUIDE BRKT	1
13	M-S003082	10-32 X 3/16 SHCS	2	38	M-S010021	5555-37 GRIPRING, EXT.	2	61	W-O095280	LEFT ROLLER GUIDE BRKT	1
14	M-S007006	8-32 HEX KEPS NUT	2	39	M-S010040	5103-50 C-RING	1	62	W-O121795	CONVEYOR DRIVE SHAFT	1
15	M-S001117	8-32 X 5/8 TRUSS HD	2	40	M-S037020	115V USA LINE CORD	1	63	W-O121794	FEED ROLLER SHAFT	1
16	M-S008046	1/2X29/32X1/32 NYLON WS	2	40	M-S037286	EUROPEAN CORD, 10 AMP	1	64	W-O121750	CHUTE	1
17	M-S010006	5133-50 EXT. E-RING	3	40	M-S045177	BRITISH LINE CORD, 3 AMP	1	65	W-O121751	VENT GUARD	1
18	M-S013009	3/8 ID BUSHING W/FLATS	6	41	M-S037096	4 1/2" FAN BLADE	1	66	W-O121752	CONVEYOR IDLER SHAFT	1
19	M-S013010	3/8 ID FLANGED BUSHING	2	42	M-S045101	CAPACITOR FOR 110V, 20uf	1	67	W-O121753	RIGHT SIDE FRAME	1
20	M-S014027	1/2" NYLON SNAP BUSHING	4	42	M-S045102	CAPACITOR FOR 220V, 8uf	1	68	W-O121754	LEFT SIDE FRAME	1
21	M-S014030	1/2 IGLIDE CLIP BEARING	2	43	M-S045231	FUSE HOLDER	1	69	W-O121757	MOTOR SUPPORT BRKT	1
22	WRA021067	110V AC MOTOR	1	44	M-S63601106	FUSE 5AMP 110V	1	70	W-O121786	MOTOR COVER	1
23	M-S021068	220V AC MOTOR	1	45	M-S019032	1/4 X 3/8 X .17ID SPACER	2	71	W-O121788	ROLLER COVER	1
24	W-O121798	80T COMBO PULLEY ASSY	1	46	M-S030051	GROMMET .25ID X .44OD	2	72	M-O121790	120T HTD 3MM PULLEY	1
25	M-S121796	84 GRY HTD 3 MM BELT	1	47	M-S032007	FOLD TABLE THUMB KNOB	2				
				48	WRA121702	1217 STACKING TRAY	1				

\* SEE ASSEMBLY DIAGRAM ON PAGE 4



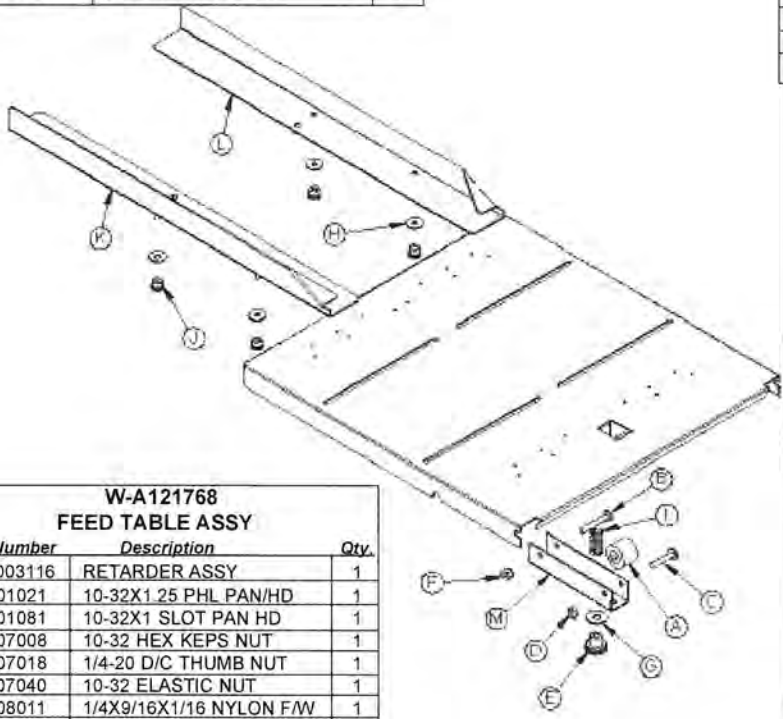
**50** **W-A121718**  
**STACK WHEEL ASSY**

Fig.	Part Number	Description	Qty.
A	M-S003031	10-32X3/4 SOCKET HEAD	1
B	M-S010004	5133-25 EXT. E-RING	6
C	M-S031050	COMPRESSION SPRING LG	1
D	M-S034001	L30-4 BLACK 3" WHEEL	3
E	M-S043046	VINYL SAFETY TIP	1
F	W-O003090	AXLE HOUSING	1
G	W-O003093	STACK WHEEL SHAFT	1
H	W-O008013	STACKING FINGER	1
I	W-O121776	STACK WHEEL AXLE	1
J	W-O121777	STACK WHEEL BAR	1



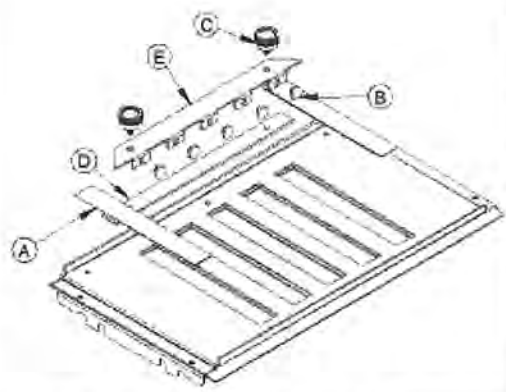
**54** **W-A121764**  
**1ST FOLD TABLE ASSY**

Fig.	Part Number	Description	Qty.
A	M-Q001566	1ST FOLD RULER, 1217A	2
B	M-S030015	PAPER STOP BUMPER	5
C	M-S032007	FOLD TABLE THUMB KNOB	2
D	W-O001507	PAPER STOP BRACKET	1
E	W-O001534	BLACK PAPER STOP	1



**57** **W-A121768**  
**FEED TABLE ASSY**

Fig.	Part Number	Description	Qty.
A	WRA003116	RETARDER ASSY	1
B	M-S001021	10-32X1.25 PHL PAN/HD	1
C	M-S001081	10-32X1 SLOT PAN HD	1
D	M-S007008	10-32 HEX KEPS NUT	1
E	M-S007018	1/4-20 D/C THUMB NUT	1
F	M-S007040	10-32 ELASTIC NUT	1
G	M-S008011	1/4X9/16X1/16 NYLON F/W	1
H	M-S008045	#10 X 5/8 FIBER WASHER	4
I	M-S031031	RETARDER SPRING	1
J	M-S032008	8/32 F/M THUMB KNOB	4
K	W-I121755	PAPER GUIDE, RIGHT	1
L	W-I121756	PAPER GUIDE, LEFT	1



**56** **W-A121767**  
**2ND FOLD TABLE ASSY**

Fig.	Part Number	Description	Qty.
A	M-O001568	LOWER FOLD TABLE RULER	2
B	M-S030015	PAPER STOP BUMPER	5
C	M-S032007	FOLD TABLE THUMB KNOB	2
D	W-O001507	PAPER STOP BRACKET	1
E	W-O001534	BLACK PAPER STOP	1

**NOTE:** ANY PART NOT LABELED IN THE ASSEMBLY DIAGRAMS MAY ONLY BE ORDERED AS A COMPLETE ASSEMBLY.



251 Wedcor Avenue • Wabash, IN 46992  
Phone: (260)563-0641 • Fax: (260)563-4575

Website: [www.martinyale.com](http://www.martinyale.com) • Email: [info@martinyale.com](mailto:info@martinyale.com)



# We Have it All...



# MyBinding.com

*When Image Matters.*

**Guaranteed Lowest Prices** on an  
Endless Selection of Binding Systems, Laminators,  
Paper Shredders, Supplies and Accessories.

**We have you covered** with Expert Advice  
and Support. Our popular blog keeps you up to  
date on the latest tips and techniques to make  
your most important binding and laminating  
tasks a success.

**Call Us Today**

**1-800-944-4573**

## Our Trusted Partners

GBC / Ibico  
Fellowes  
Powis Fastback  
Unibind  
Akiles  
Renz  
Tamerica  
Rhin-O-Tuff  
DFG

Pro-Bind  
Martin Yale  
MBM  
Formax  
Intimus  
Dahle  
HSM  
Standard  
Xyron

Challenge  
Lasko-Wizer  
GBC Shredmaster  
Avery  
Wilson Jones  
Cardinal  
Samsill  
Universal



- BINDING MACHINES
- BINDING SUPPLIES
- LAMINATORS
- I.D. ACCESSORIES
- BOARDS & EASELS
- PAPER SHREDDERS
- XYRON LAMINATORS
- COIL BINDING MACHINES
- UNIBIND BINDING MACHINES
- FASTBACK BINDING EQUIPMENT
- PAPER FOLDING MACHINES
- LAMINATING POUCHES
- ROTARY TRIMMERS
- CLEAR COVERS
- TWIN LOOP WIRE
- REGENCY COVERS
- PLASTIC BINDING COVERS
- VELOBIND BINDING MACHINES
- PAPER HANDLING EQUIPMENT
- THERMAL BINDING MACHINES
- PROCLICK BINDING SYSTEMS
- COMB BINDING MACHINES
- COMB BINDING SUPPLIES
- WIRE BINDING MACHINES
- POUCH LAMINATORS
- LAMINATING ROLLS
- 3-RING BINDERS
- ROLL LAMINATORS
- VELOBIND SPINES
- PAPER CUTTERS
- PAPER JOGGERS
- LETTER OPENERS
- THERMAL COVERS
- UNIBIND SUPPLIES
- PROCLICK SPINES
- ZIPBIND SPINES
- LINEN COVERS
- SPIRAL COIL
- INDEX TABS