

MBM Ideal 5009 Paper Shredder

Instruction Manual



Provided By

MyBinding.com®
When Image Matters.

**IDEAL 5009-1
IDEAL 5009-2
Modular conveyor belt system**

Operating Instructions




Table of contents


1. General	4
1.1 Safety Instructions	4
1.2 Application	4
2. Installation	5
2.1 Transport	5
2.2 Preparing for installation	6
Waste cart	6
Conveyor belt (Accessory)	6
2.3 Power supply	8
2.4 Checking rotating direction	8
When the machine works in the opposite direction	8
3. Operation	9
3.1 Operating elements	9
3.2 Starting the machine	9
Stopping the machine	10
Yellow pilot light flashes	10
3.3 Stopping the machine	10
For short breaks	10
For longer breaks	10
3.4 Replacing the plastic bag	11
3.5 Oiling the shredding mechanism	11
4. Trouble shooting	12
5. Accessories	14
6. Technical data	14
7. EC-declaration of conformity	15

1. General

This instruction manual is meant to help you to operate the machine easily and safely. Please read these operating instructions before putting the machine into operation and observe the safety regulations.

1.1 Safety Instructions

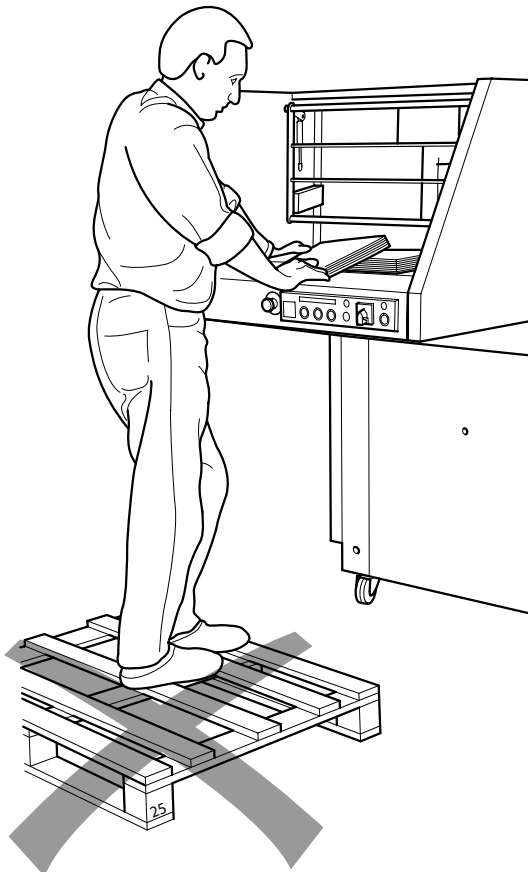
 **Danger!**
Non-compliance with the instructions may endanger persons.


 **Warning!**
Non-compliance with the instructions may cause damage to the machine.


The operating instructions must always be available for the operator.


1.2 Application


The machine is constructed to shred paper, flat or crumpled, as well as cardboard boxes including staples. Data security is not guaranteed when shredding single sheets of paper. Access to the cutting mechanism is prevented by a grid.



 **Danger!**
The machine may only be operated by qualified persons.
Do not let children operate the machine.

 **Danger!**
When the main switch is switched on do not use steps or anything similar when operating or repairing the machine.

 **Danger!**
Do not shred materials which may loop, liquids or materials which may explode, chemically react or splinter.

 **Warning!**
Do not feed large steel components, screws, nails or hard materials. This will damage the shredding mechanism.

2. Installation

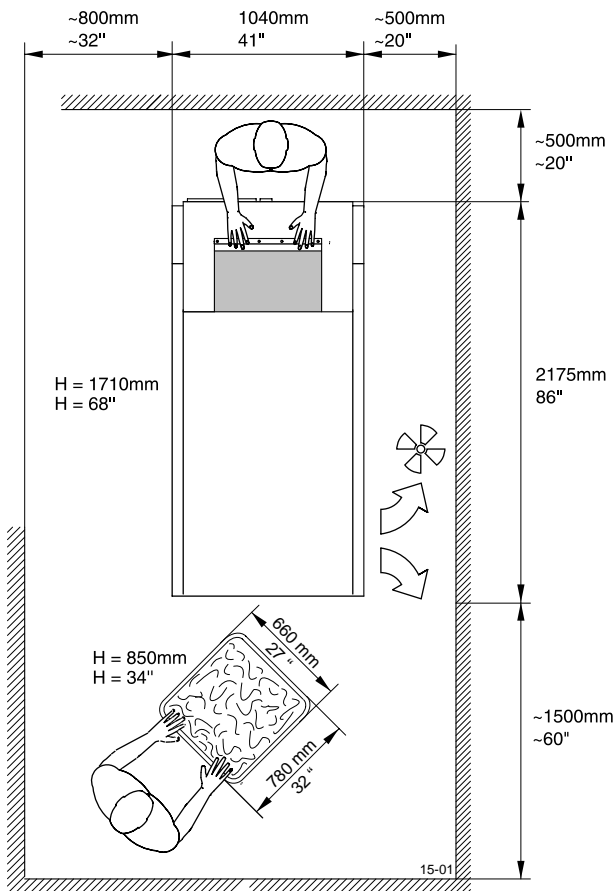
The machine is mobile on castors. The machine must be installed on a sturdy, dry and level floor.

⚠ Danger!

- The machine must not be used outside.
- Do not use in the vicinity of flammable liquids or gases.
- Do not use in wet environments.
- Protect the power cable from extreme heat, oil, and sharp edges.

👉 Warning!

- Do not cover the ventilation slits → see picture left.
- Consider the floor loading.
Weight approx. 1200 kg.



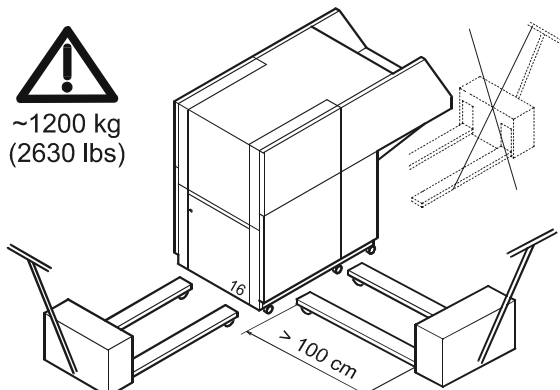
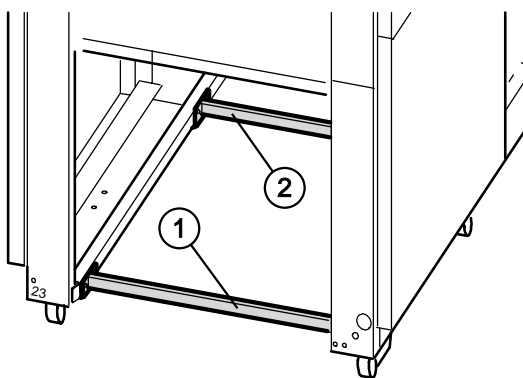
2.1 Transport

👉 Warning!

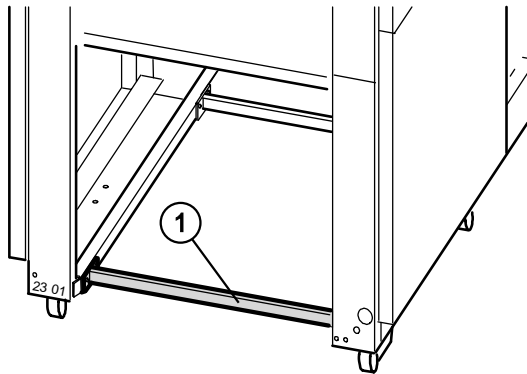
Do not lift the machine more than necessary → risk of tipping.

👉 Warning!

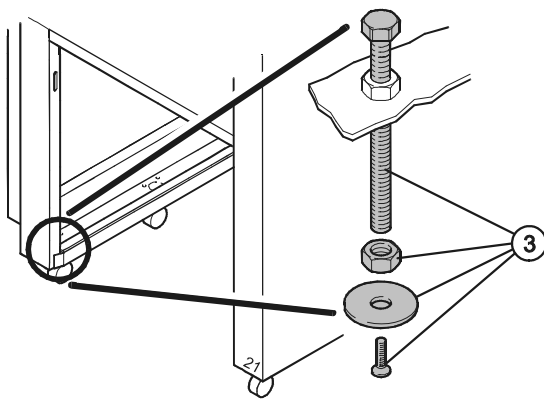
The transport safety device (1) and (2) must be mounted when the machine is transported lengthwise. The machine must be transported from the rear. It is not necessary to mount the safety device when the machine is transported from the side.



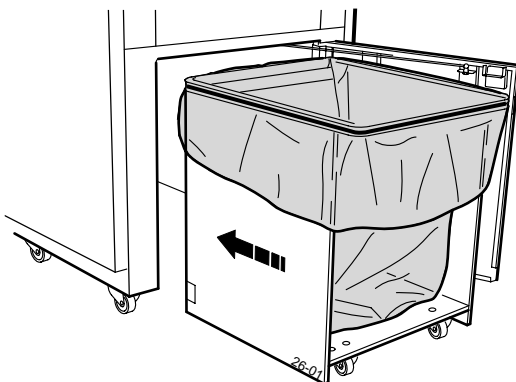
2.2 Preparing for installation



- Open the door.
- Remove the transport safety device (1) and keep for later use.

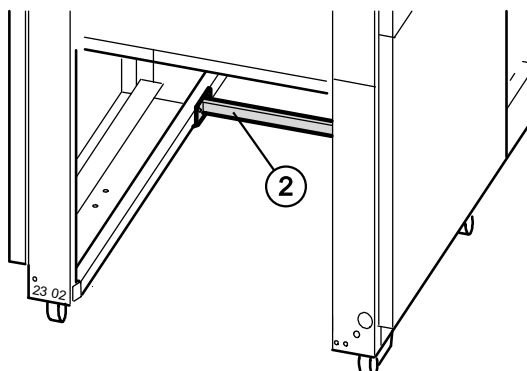


- Mount the supporting screws (3).
- Screw down the supporting screws until the rear castors are balanced.



Waste cart

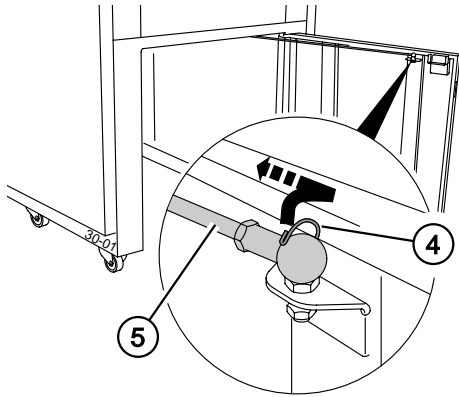
- Put the plastic bag into the waste cart as described under "replace bag".
- Push the cart into the machine, with the open side facing you, until it touches the buffer.
- Close the door.



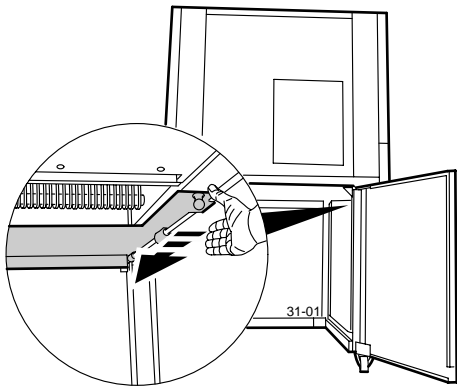
Conveyor belt (accessory)

When using a conveyor belt the following modifications must be made on the machine:

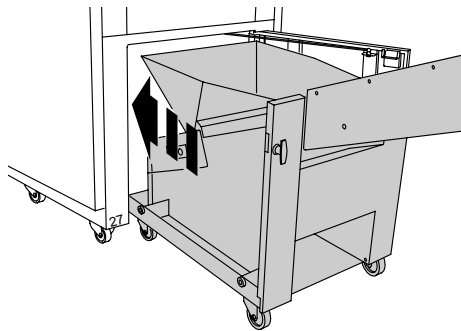
- Remove the transport safety device (2) for the waste cart.



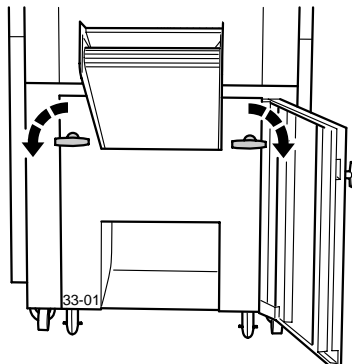
- Remove the springs from the ball-ends (4) on both sides.
- Dismount the tie-bar (5).



- Push the slide to the back



- Push back the conveyor belt into the machine.

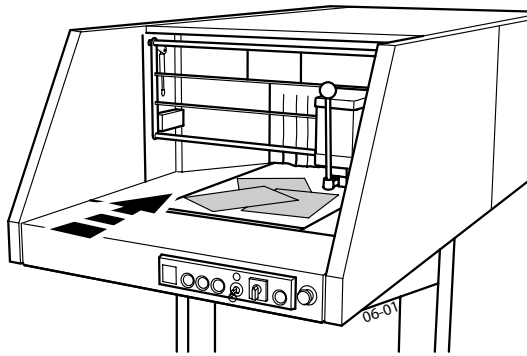


- Turn both handles to lock.

2.3 Power supply

The rating plate is located at the rear of the machine.

- Data stated on the rating plate
 - Voltage "V",
 - Frequency "Hz",
 - Power consumption "A" must correspond to the values of the power supply unit.
- **Earth wire must be available.**
- Connect the machine to the mains.



2.4 Checking rotating direction

Operate the machine for a short time as described under 3. "Operation".

- The material is transported to the shredding mechanism by a feeding belt.

Feeding belt runs in the opposite direction.

The machine is wired according to the UEC rotary field standard. When changing the rotary direction we recommend that this is performed by an experienced specialist. The rotary direction may also be changed by exchanging the "L1" and "L2" connections in the plug.



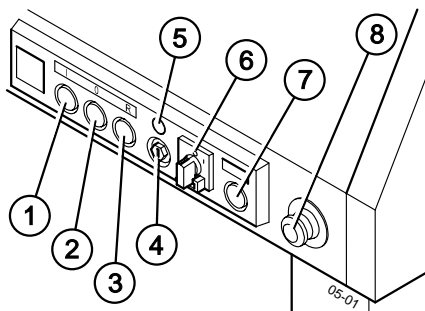
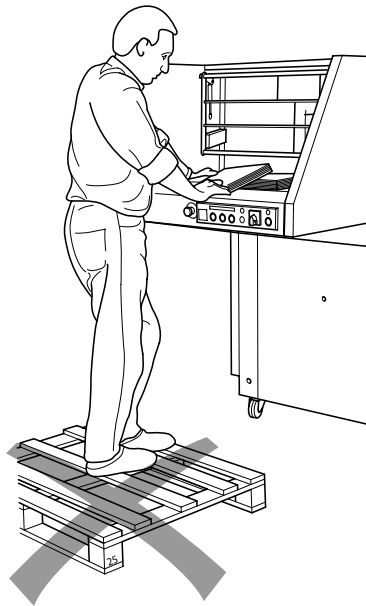
Danger!

Incorrect exchanging of connections may endanger the operator. If in doubt, this work should be performed by an electrical specialist.

3. Operation

⚠ Danger!

- When the main switch is switched on do not use steps or anything similar when operating or repairing the machine.
- The machine may only be operated by persons who have read and understood the operating instructions.
- **Do not reach into the running shredding mechanism! The shredding mechanism may cause serious injury!**
- The machine will only operate when the door to the machine and the safety grid are closed.



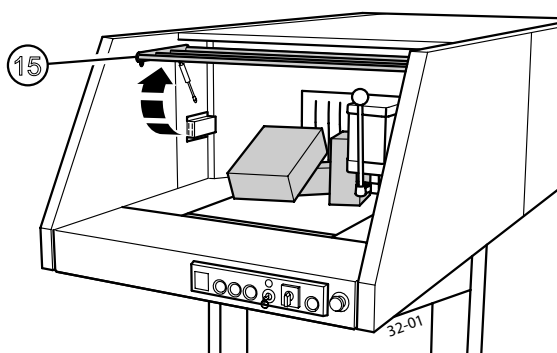
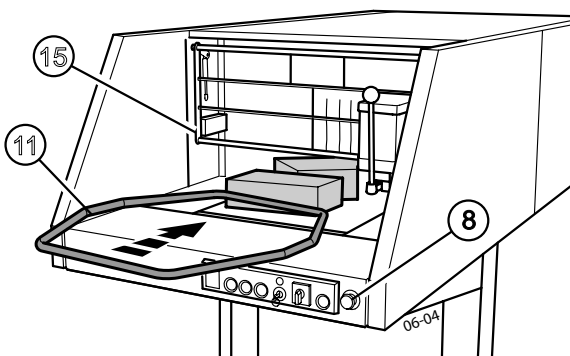
3.1 Operating elements

- (1) Start / black button
- (2) Stop light for "door open" and "grid open" / white button
- (3) Reverse switch and light showing "bag full"
- (4) Key switch
- (5) Standby / green light
- (6) Main switch
- (7) Temperature indicator / yellow pilot light
- (8) Emergency off

3.2 Starting the machine

⚠ Danger!

Do not shred any material which may loop or splinter. Material not caught by the shredding mechanism must be pushed with the pusher (11). In case of danger, press emergency off button (8).

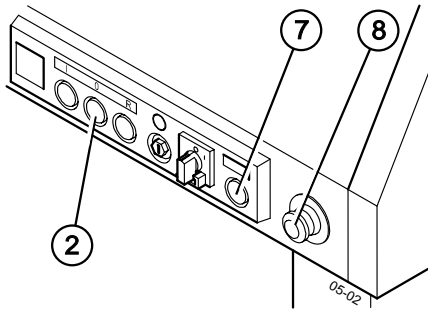


- Main switch (6) to position "I".
- Emergency button (8) must be unlocked.
- Grid (15) must be closed.
- Turn key switch (4) to the right
→ standby (5) illuminates.
- Press and release the black button (1)
→ conveyor belt is running.
- Distribute the paper over the whole width of the feeding belt.
- The grid (15) can be lifted to remove jammed paper.

When large amounts of paper are inserted the machine automatically adjusts to a more powerful, slower capacity. If this capacity is still not powerful enough the machine will reverse shortly and then return to the forwards mode. This is repeated until all material is completely destroyed.

⚠ Warning!

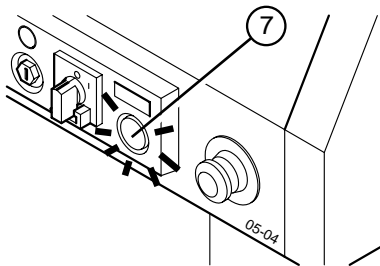
If possible let the machine work at its normal speed. Shred continuous paper only in stacks.



Stopping the machine

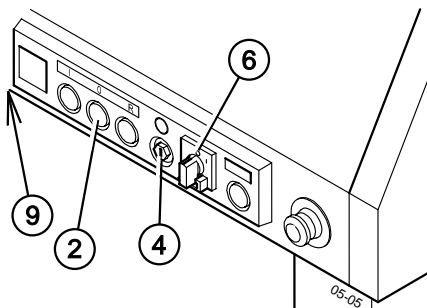
- Press the white button (2) or emergency off (8).

Keep hands away from running shredding mechanism.



Yellow pilot light (7) flashes

Motor is overheated → reduce the amount of material on the feeding belt so that the machine runs at the standard speed.



3.3 Stopping the machine

For short breaks

- Press and release the white button (2) → Feeding belt stops.

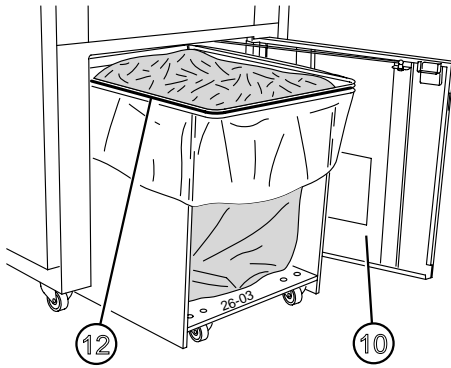
For longer breaks

- Turn main switch (6) to position "0" → the entire machine shuts down.
- Turn the key switch (4) and remove the key → now the machine is secured from unauthorised use.

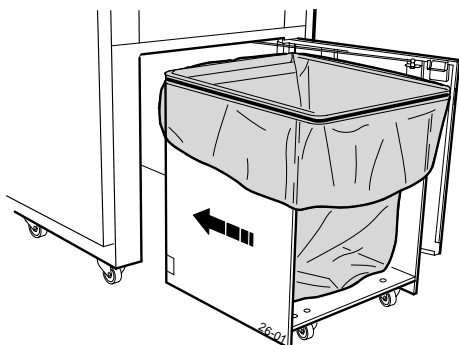
3.4 Replacing the plastic bag

Replace bag when "bag full" indicator illuminates.

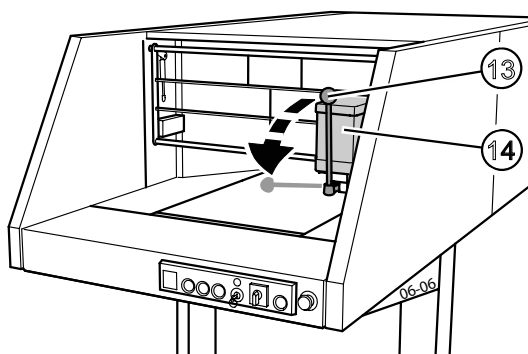
- Open the door (10).
- Pull out the waste cart.
- Remove the round belt (12) from the waste bag frame.
- Pull the bag onto a pallet.



- Tie the bag (for sealing parts and binding wires see accessories).



- Place a new bag into the bag frame and turn the edge over approx. 40 cm to the outside of the frame.
- Fasten the bag with the round belt.
- Push the cart into the machine, with the open side facing you, until it touches the buffer.
- Close the door.
- Check the function of the door switch: Start the machine. If the door is opened the machine must stop immediately.



3.5 Oiling the shredding mechanism

If the sheet capacity reduces or after "bag full" we recommend that you oil the shredding mechanism.

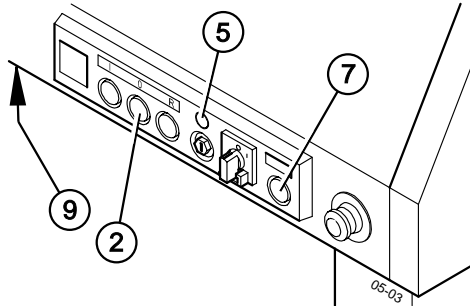
- Press the oil pump lever (13) once
- After lubrication let the machine run several times backwards and forwards alternately.
- If the tank (14) is empty refill with oil. Type of oil: environmentally friendly cutting oil see accessories.

4. Trouble shooting



Danger!

Disconnect from the mains before starting any service work or before removing the cover.



Malfunction:

Standby (5) is not lighting up.

Cause:

- Main switch is OFF
- Emergency button is pressed.
- Key switch is vertical.
- Machine is not plugged in.
- On-site fuse.
- Motor protection switch from the conveyor belt (9) operates.
- Machine is overloaded The motor protection switch is re-activated after 10 minutes.

Malfunction:

White light (2) illuminates, standby (5) is not lighting up.

Cause:

- Door is open.
- Grid is open.
- Conveyor belt (accessory) is not locked.

Malfunction:

Machine door is difficult to open.

Cause:

Guiding bar of the lower cutting head cover is dirty

Remedy:

Clean and grease the guiding bar. Do not use grease or oil containing resin.

Malfunction:

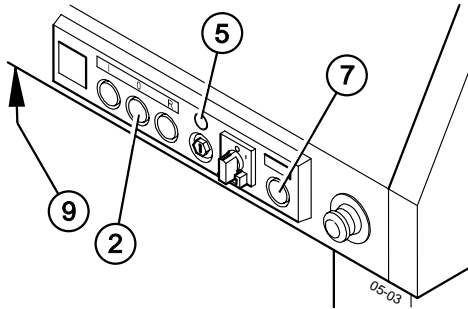
Motor hums and has no power.

Cause:

One phase is missing.

Remedy:

Ensure that voltage is on all 3 phases.



Malfunction:

Machine switches off during normal operation.

Cause:

Indicator for "bag full" or "shred bag full" illuminates.

Remedy:

Renew plastic bag.

Cause:

Yellow pilot light (7) illuminates, machine is overheated.

Remedy:

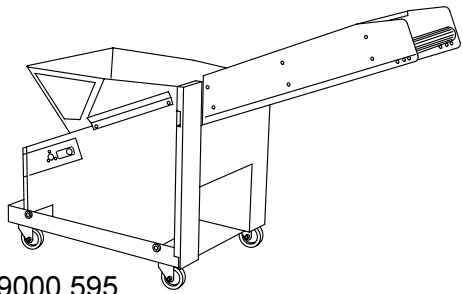
Wait approx. 10 to 20 minutes for the machine to cool down. Start afresh.

Cause:

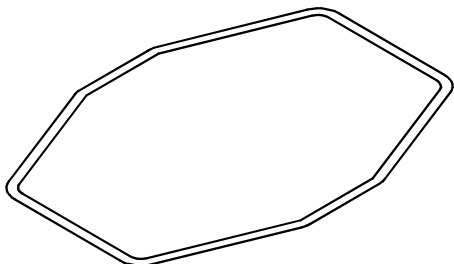
Yellow pilot light (7) illuminates, green light (5) is out. Conveyor belt is overloaded.

Remedy:

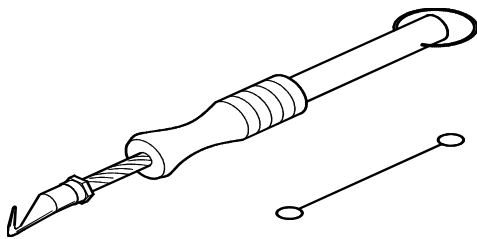
Press the motor protection switch (9) after approx. 5 minutes.



9000 595



9000 593



9000 591

9000 597

5. Accessories

Plastic bags 350l (50 pieces) 9000 414
 Environmentally friendly oil 10 x 0,2 l 9000 610

Module conveyor belt system
 (conveyor belt) 9000 595

Pusher 9000 593

For fastening plastic bags:

Wire twisting tool 9000 591

Wire ties (1000 pieces) 9000 597

Warning!

Only use manufacturer recommended accessories.

6. Technical data

Sound level 75 dB(A).

Minimal space requirement = approx.

W = 2,3 m x D = 4,2 m

Version 1

Weight approx. 1000 kg.

Fuse protection on: 400V 50/60Hz with 16A.

200V / 50/60 Hz with 50A

230V / 50/60 Hz with 50A

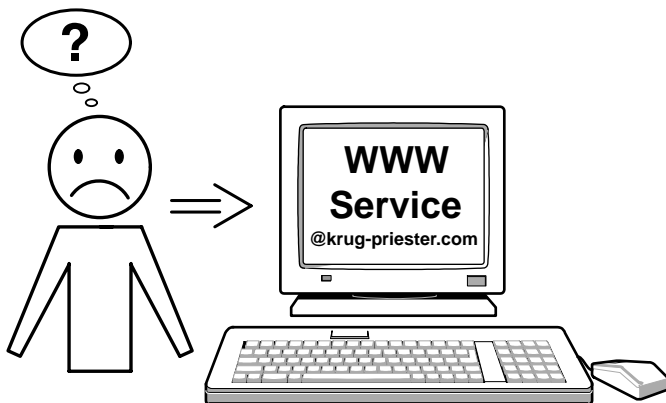
Version 2

Weight approx. 1200 kg.

Fuse protection on: 400V 50/60Hz with 32A.

200V / 50/60 Hz with 100A

230V / 50/60 Hz with 100A



If you have further questions please contact your dealer or directly on the internet service@krug-priester.com.

Subject to alterations without notice.

EG-KONFORMITÄTSERKLÄRUNG
EC-declaration of conformity
Déclaration de conformité CE
Declaración CE de conformidad
Dichiarazione CE di conformità
EG-verklaring van overeenstemming
Declaração CE de conformidade
EF-overensstemmelseserklæring

- **Hiermit erklären wir, daß die Bauart von**
- Herewith we declare that
- Par la présente, nous déclarons que
- Por la presente, declaramos que la
- Si dichiara che il modello della
- Hiermede verklaren wij, dat de in de handel gebrachte machine
- Com a presente, declaramos que o modelo da
- Hermed erklæres, at produkttypen

5009-1; 7050-1;
5009-2; 7050-2;

- **folgenden einschlägigen Bestimmungen entspricht:**
- complies with the following provisions applying to it:
- sont conformes aux dispositions pertinentes suivantes:
- satisface las disposiciones pertinentes siguientes:
- è conforme alle seguenti disposizioni pertinenti:
- voldoet aan de eisen van de in het vervolg genoemde bepalingen:
- está em conformidade com as disposições pertinentes, a saber:
- er i overensstemmelse med følgende bestemmelser:

EG 98/37; EG 73/23; EG 89/336

- **Angewendete harmonisierte Normen insbesondere**
- Applied harmonized standards in particular
- Normes harmonisée utilisées, notamment
- Normas armonizadas utilizadas particularmente
- Norme armonizzate applicate in particolare
- Gebruikte geharmoniseerde normen, in het bijzondere
- Normas harmonizadas utilizadas, em particular
- Harmoniserede standarder, der blev anvendt, i særdaleshed

EN60204-1; EN55014-1; EN55014-2
EN292; EN294; EN27779

Krug & Priester GmbH u. Co KG
72336 Balingen, Germany

21. 3. 2003
Datum

W. Priester
Wolfgang Priester
- General Manager -



QUALITÄTSMANAGEMENTSYSTEM



DQS zertifiziert nach
DIN EN ISO 9001 Reg.-Nr. 1489





We Have it All...



MyBinding.com

When Image Matters.

Guaranteed Lowest Prices on an
Endless Selection of Binding Systems, Laminators,
Paper Shredders, Supplies and Accessories.

We have you covered with Expert Advice
and Support. Our popular blog keeps you up to
date on the latest tips and techniques to make
your most important binding and laminating
tasks a success.

Call Us Today

1-800-944-4573

Our Trusted Partners

GBC / Ibico
Fellowes
Powis Fastback
Unibind
Akiles
Renz
Tamerica
Rhin-O-Tuff
DFG

Pro-Bind
Martin Yale
MBM
Formax
Intimus
Dahle
HSM
Standard
Xyron

Challenge
Lasko-Wizer
GBC Shredmaster
Avery
Wilson Jones
Cardinal
Samsill
Universal

- BINDING MACHINES
- BINDING SUPPLIES
- LAMINATORS
- I.D. ACCESSORIES
- BOARDS & EASELS
- PAPER SHREDDERS
- XYRON LAMINATORS
- COIL BINDING MACHINES
- UNIBIND BINDING MACHINES
- FASTBACK BINDING EQUIPMENT
- PAPER FOLDING MACHINES
- LAMINATING POUCHES
- ROTARY TRIMMERS
- CLEAR COVERS
- TWIN LOOP WIRE
- REGENCY COVERS
- PLASTIC BINDING COVERS
- VELOBIND BINDING MACHINES
- PAPER HANDLING EQUIPMENT
- THERMAL BINDING MACHINES
- PROCLICK BINDING SYSTEMS
- COMB BINDING MACHINES
- COMB BINDING SUPPLIES
- WIRE BINDING MACHINES
- POUCH LAMINATORS
- LAMINATING ROLLS
- 3-RING BINDERS
- ROLL LAMINATORS
- VELOBIND SPINES
- PAPER CUTTERS
- PAPER JOGGERS
- LETTER OPENERS
- THERMAL COVERS
- UNIBIND SUPPLIES
- PROCLICK SPINES
- ZIPBIND SPINES
- LINEN COVERS
- SPIRAL COIL
- INDEX TABS

