

MBM Auto Booklet Maker

Parts Catalouge

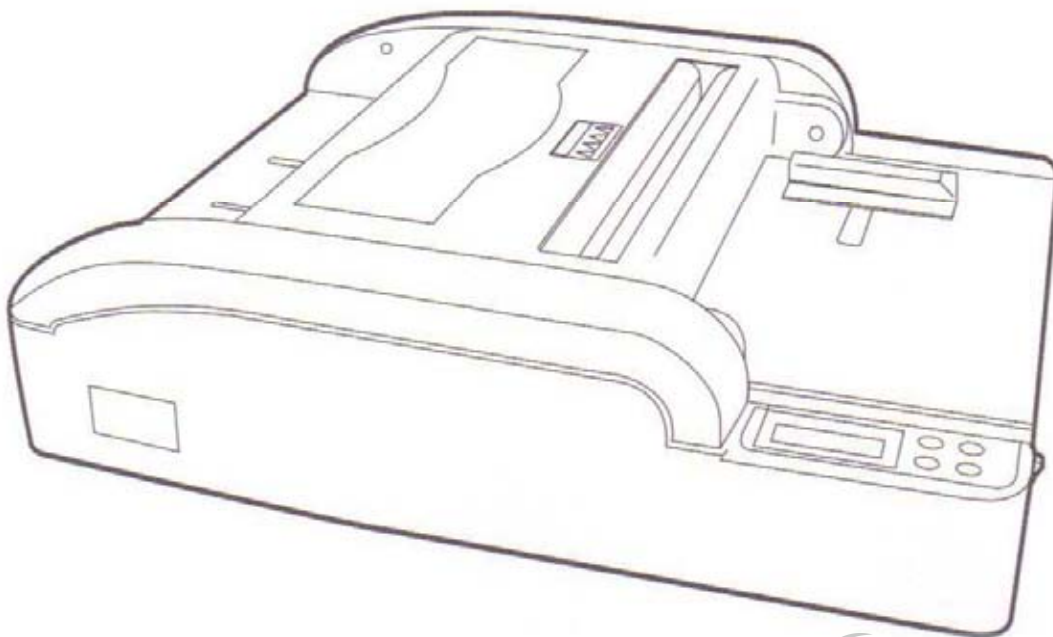


Provided By

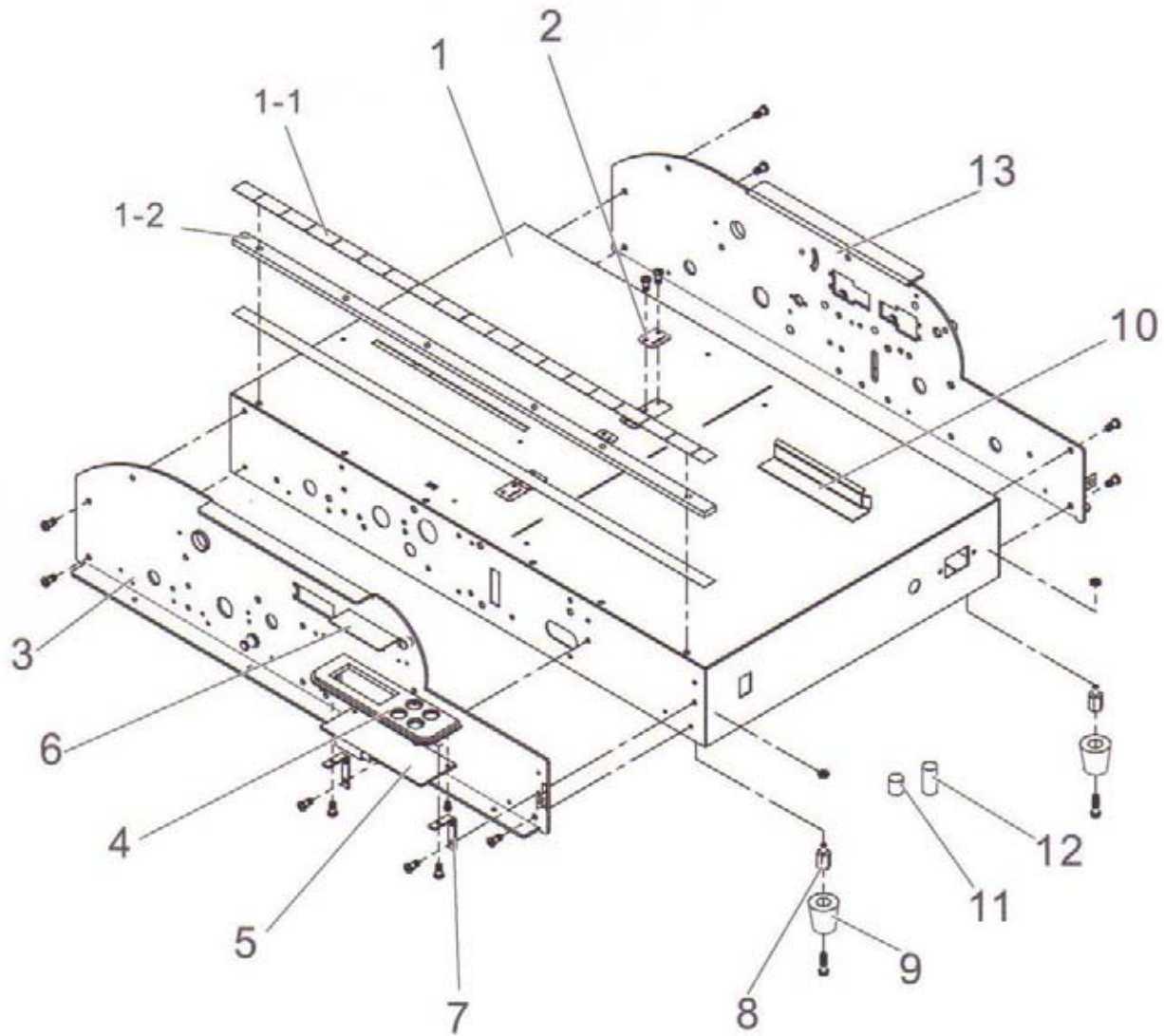
MyBinding.com
When Image Matters.



Part Catalogue

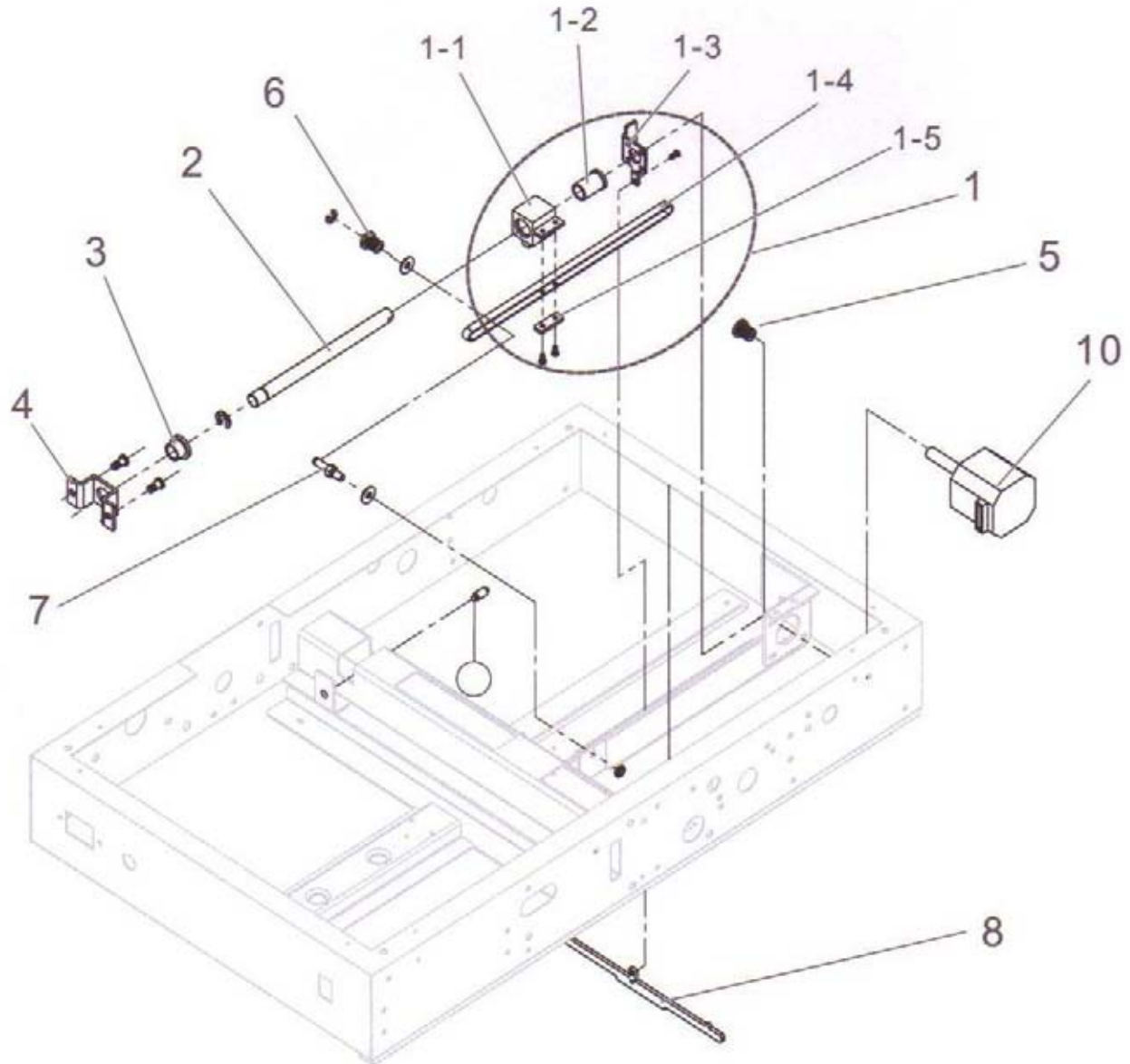


1. BASE SECTION



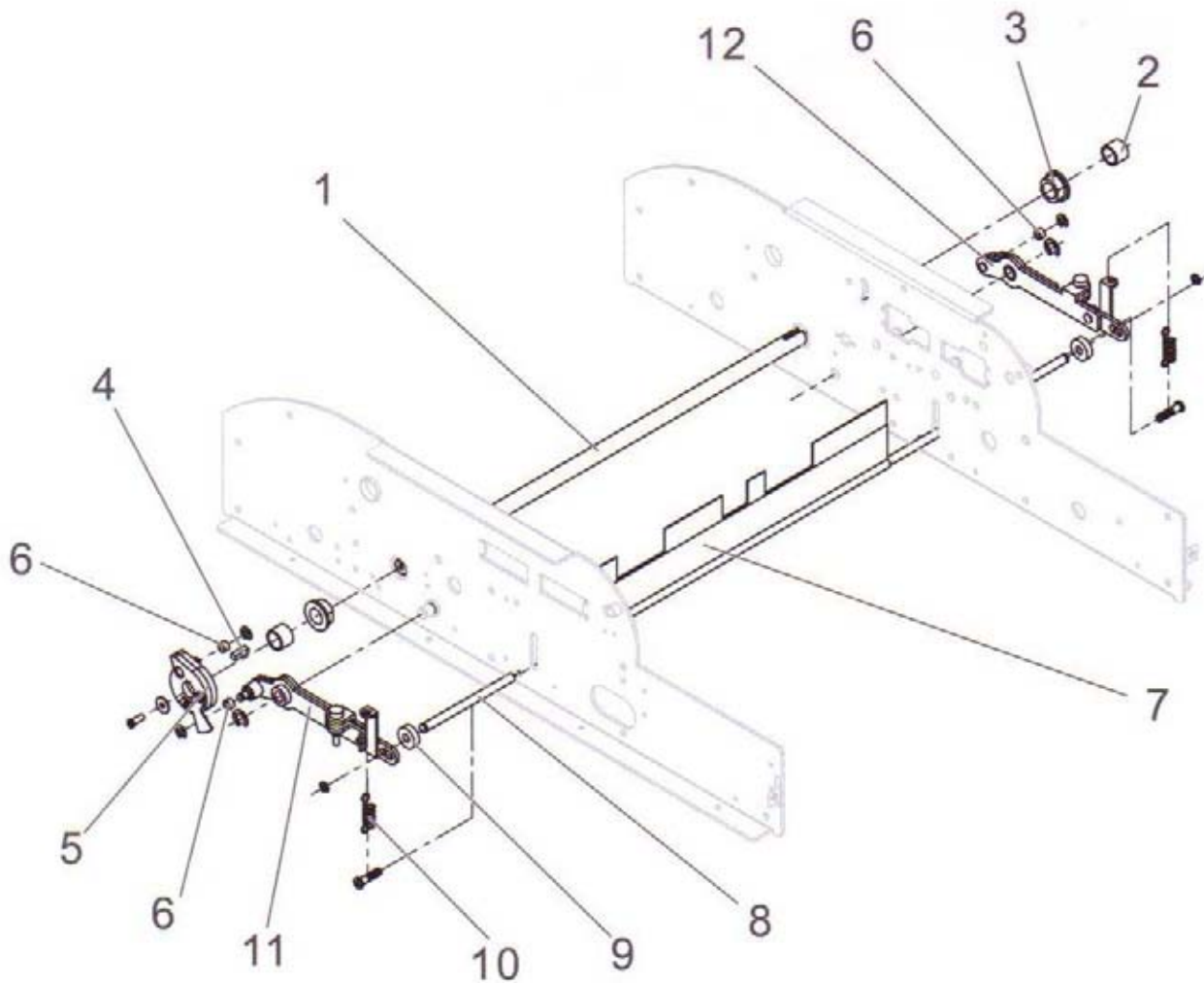
No	PART NO	DESCRIPTION	QTY
1		BASE ASSEMBLY	1
1-1	ASSEMBLY UNIT	SCALE	1
1-2		PLATE	1
2		ANVIL	5
3		FRAME F	1
4		CONTROL PANEL	1
5		PANEL P.W.B. UNIT	1
6		ACRYLIC PLATE	1
7		PANEL BRACKET	2
8		SCREW	4
9		RUBBER FOOT	4
10		PAPER SIDE GUIDE	1
11		OPTION STOPPER	1
12		OPTION STOPPER	1
13		FRAME B	1

2. PAPER JOGGER SECTION



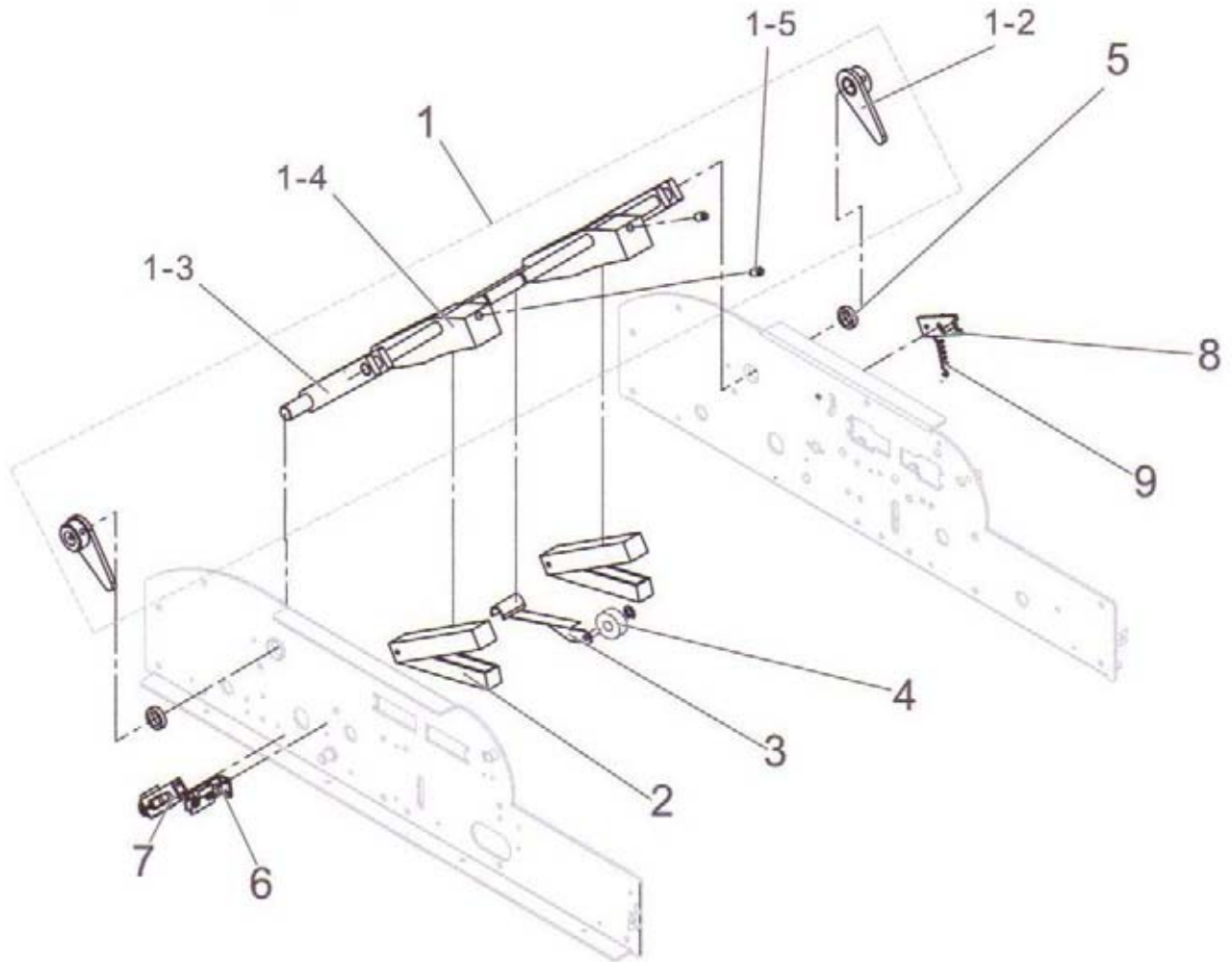
No	PART NO	DESCRIPTION	QTY
1	ASSEMBLY UNIT	GUIDE BLOCK ASSEMBLY	1
1-1		GUIDE BLOCK	1
1-2		COLLAR	1
1-3		ANGLE	1
1-4		TIMING BELT	1
1-5		PLATE	1
2		SHAFT	1
3		COLLAR	1
4		ANGLE	1
5		GEAR	1
6		GEAR	1
7		STUD	1
8		SIDE GUIDE	1
9		BALL RETAINER	2
10		STEP MOTOR	1

3. FOLDING BLADE SECTION



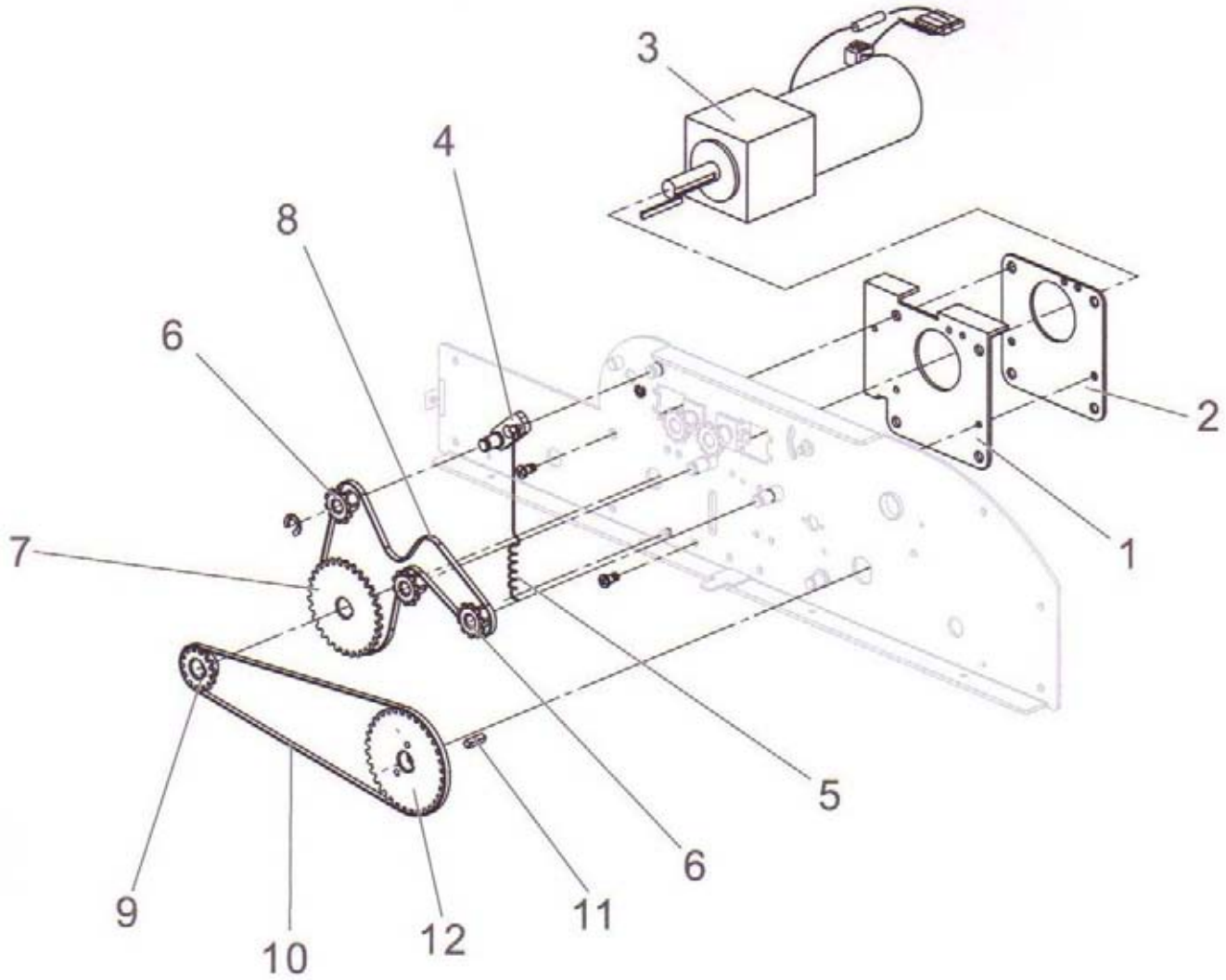
<u>No</u>	<u>PART NO</u>	<u>DESCRIPTION</u>	<u>QTY</u>
1		SHAFT	1
2		HOLDER	2
3		COLLAR	2
4		KEY	1
5		CAM F	1
6		BEARING	3
7		FOLDING BLADE	1
8		SHAFT	1
9		COLLAR	2
10		SPRING T	2
11		LEVER F	1
12		LEVER B	1

4. STAPLING SECTION



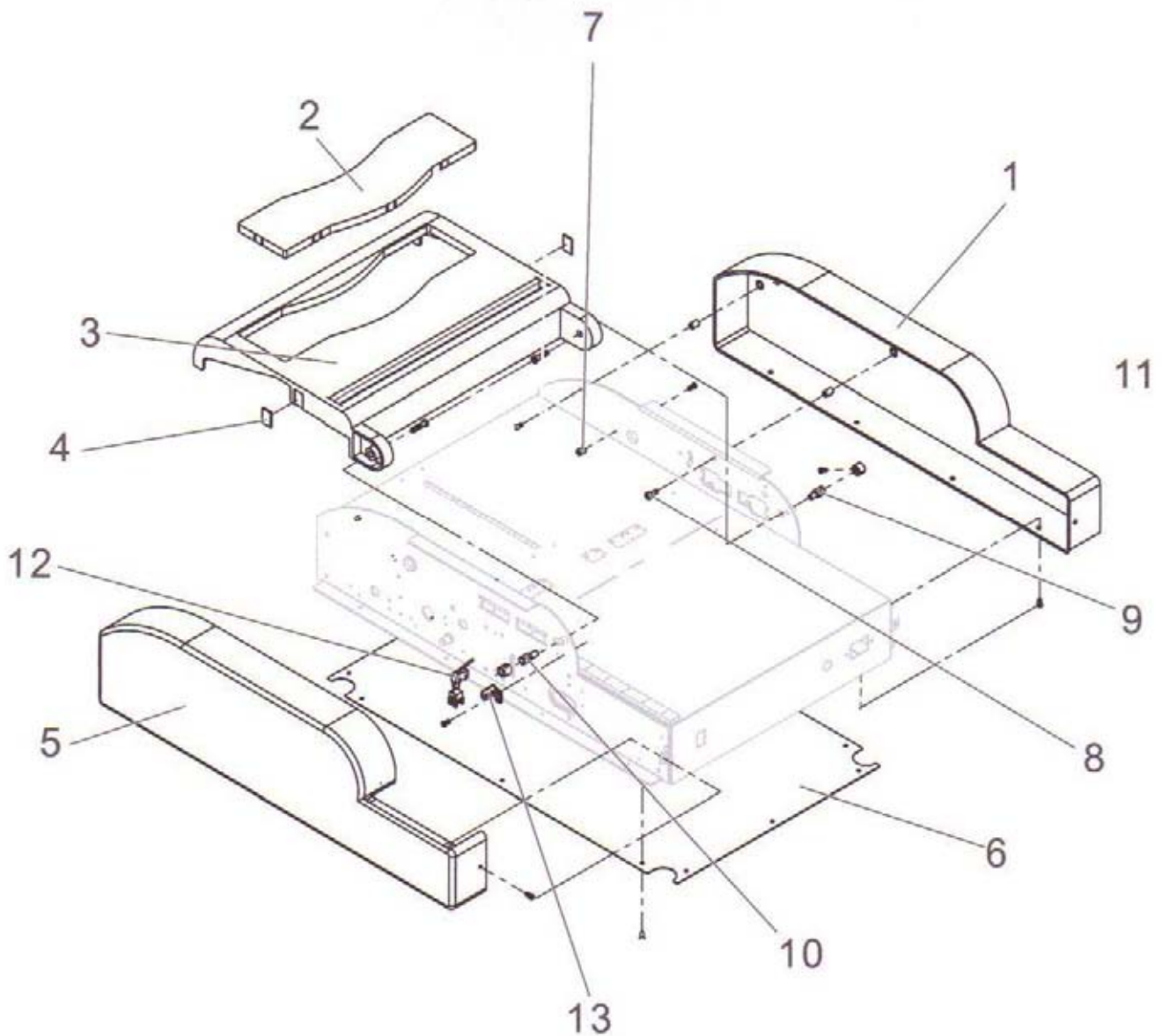
No	PART NO	DESCRIPTION	QTY
1		STAPLE ASSEMBLY	1
1-1	ASSEMBLY UNIT	LEVER F	1
1-2		LEVER B	1
1-3			4
1-4		STAPLER HEAD COVER	2
1-5		BALL RETAINER	2
2		STAPLER HEAD	2
3		PRESS ROLLER HOLDER	1
4	BMT1	BEARING	1
5		COLLAR	2
6		SENSOR HOLDER R	1
7		SENSOR HOLDER L	1
8		BLOCK	1
9		SPRING T	1

5. DRIVING SECTION



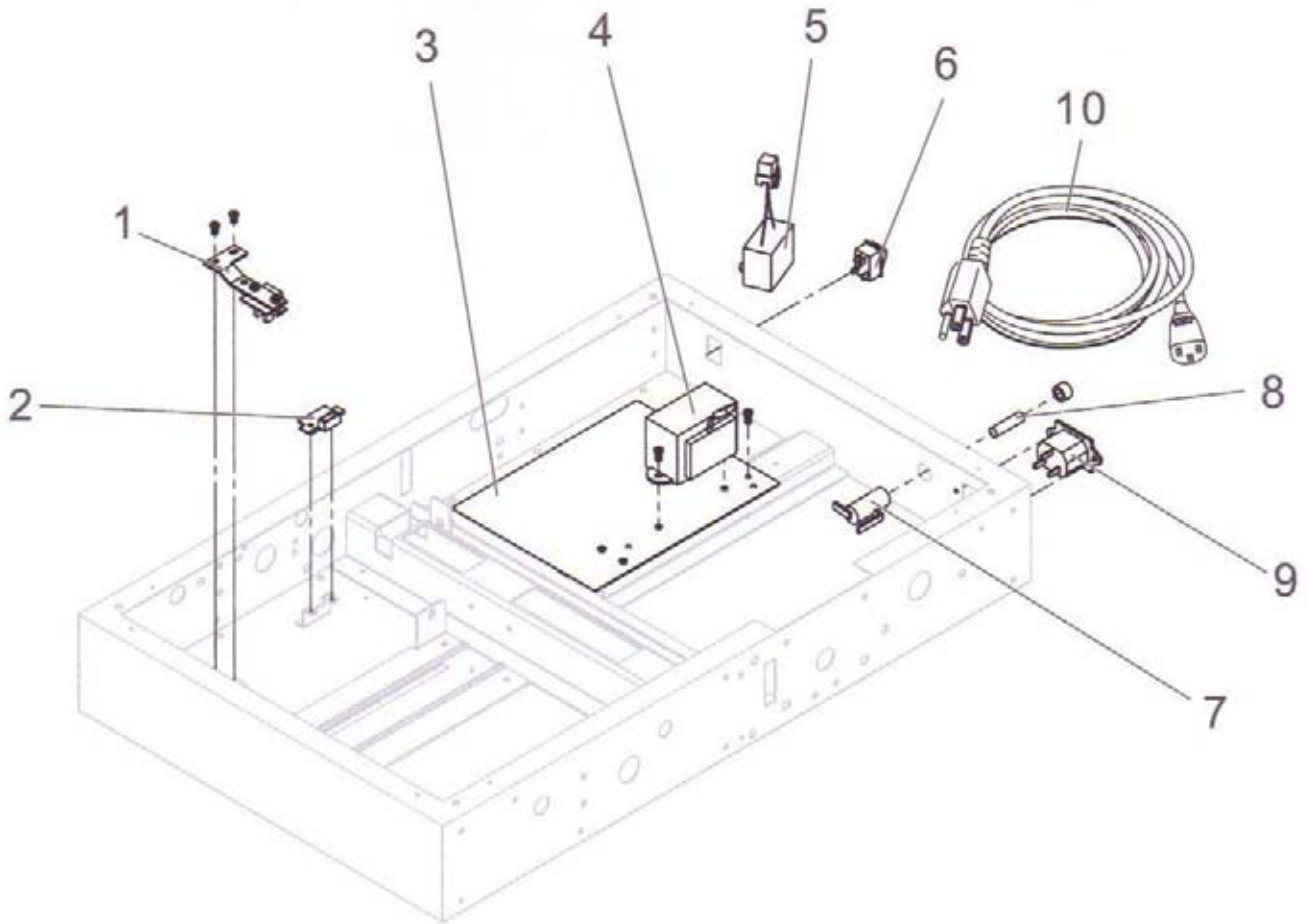
No	PART NO	DESCRIPTION	QTY
1		PLATE ASSEMBLY	1
2		PLATE	1
3		MOTOR (110V)	1
4		BLOCK	1
5		SPRING T	1
6		SPROCKET IV	3
7		MOTOR SPROCKET	1
8		CHAIN	1
9		SPROCKET	1
10		CHAIN	1
11		KEY	1
12		SPROCKET ASSEMBLY	1
			1
			1

7. EXTERIOR SECTION



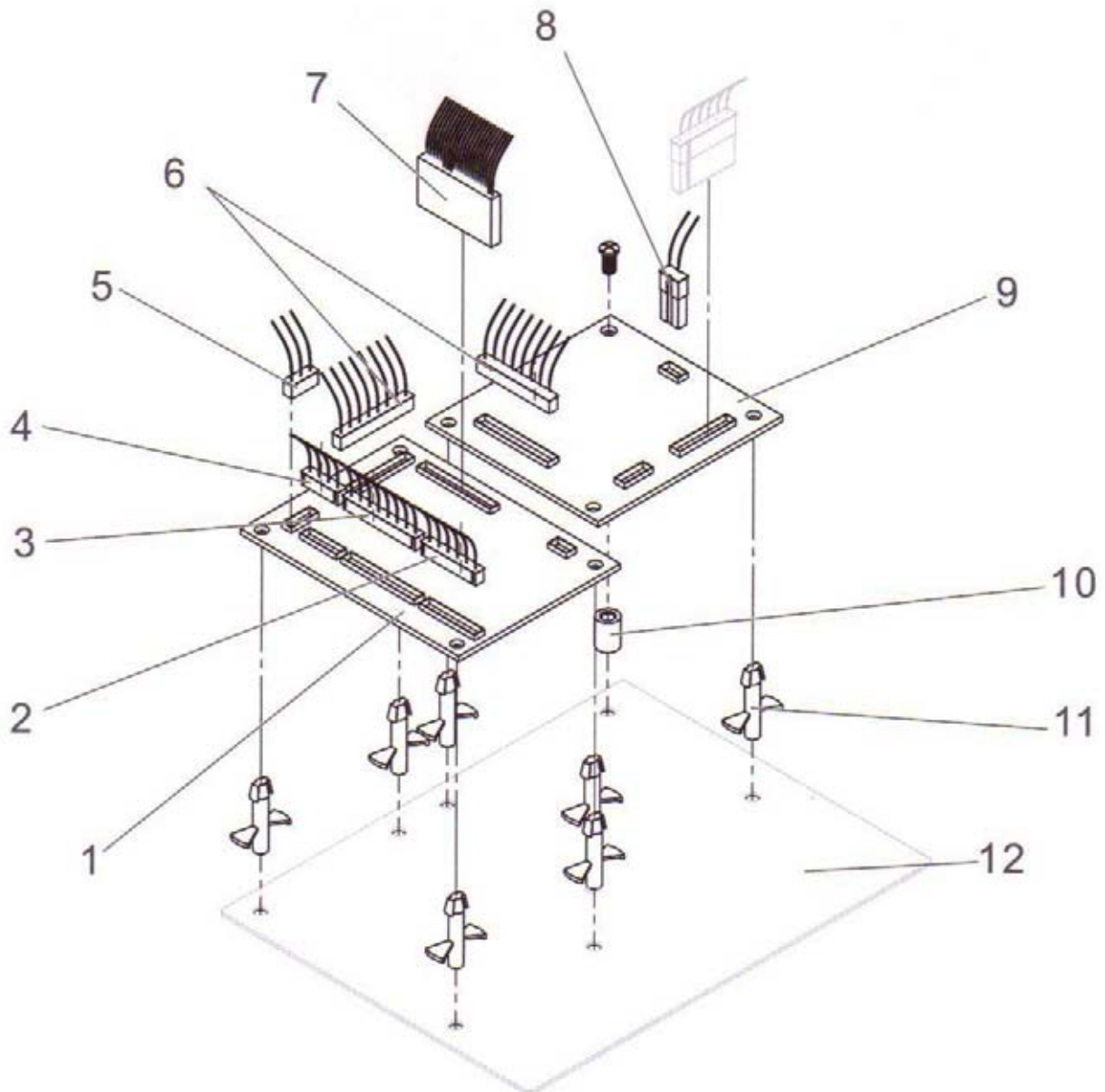
No	PART NO	DESCRIPTION	QTY
1		COVER B	1
2		ACRYLIC COVER	1
3		TOP COVER	1
4		MAGNETIC	2
5		COVER F	1
6		BASE PLATE	1
7		COVER STOPPER	2
8		COVER SCREW	2
9		PILLAR	1
10		PILLAR	1
11		COLLAR	2
12		TOP COVER SWITCH ASSEMBLY	1
13		BRACKET	1

8. ELECTRICAL SECTION 1



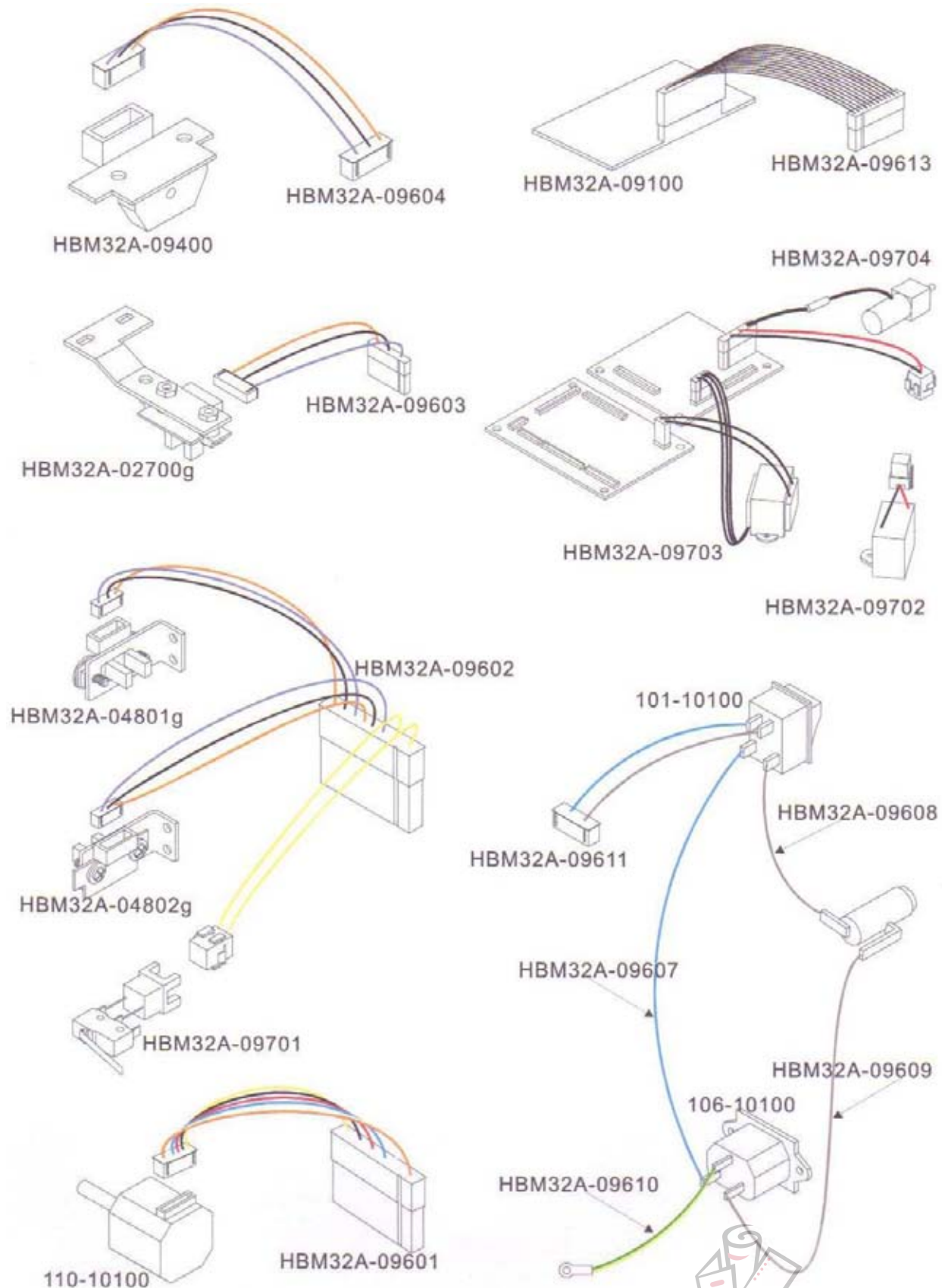
No	PART NO	DESCRIPTION	QTY
1		SENSOR BRACKET	1
2		SENSOR ASSEMBLY	1
3		MAIN BOARD BRACKET	1
4		TRANSFORMER (110V)	1
5		MOTOR CAPACITOR (110V)	1
6		MAIN POWER SWITCH	1
7		FUSE HOLDER	1
8		FUSE	1
9		INLET	1
10		POWER CORD (USA)	1

9. ELECTRICAL SECTION 2



No	PART NO	DESCRIPTION	QTY
1		MAIN P.W.B.	1
2		BUNDLE WIRE	1
3		BUNDLE WIRE 8P	1
4		BUNDLE WIRE 4P	1
5		BUNDLE WIRE 3P	1
6		BUNDLE WIRE 8P	1
7		BUNDLE WIRE 20P	1
8		BUNDLE WIRE 2P	1
9		POWER SUPPLY UNIT (110V)	1
10		COLLAR	1
11		BOARD SPACER	1
12		MAIN BOARD BRACKET	1

10. ELECTRICAL SECTION 2



We Have it All...



MyBinding.com *When Image Matters.*

Guaranteed Lowest Prices on an
Endless Selection of Binding Systems, Laminators,
Paper Shredders, Supplies and Accessories.

We have you covered with Expert Advice
and Support. Our popular blog keeps you up to
date on the latest tips and techniques to make
your most important binding and laminating
tasks a success.

Call Us Today

1-800-944-4573

Our Trusted Partners

GBC / Ibico
Fellowes
Powis Fastback
Unibind
Akiles
Renz
Tamerica
Rhin-O-Tuff
DFG

Pro-Bind
Martin Yale
MBM
Formax
Intimus
Dahle
HSM
Standard
Xyron

Challenge
Lasko-Wizer
GBC Shredmaster
Avery
Wilson Jones
Cardinal
Samsill
Universal



- BINDING MACHINES
- BINDING SUPPLIES
- LAMINATORS
- I.D. ACCESSORIES
- BOARDS & EASELS
- PAPER SHREDDERS
- XYRON LAMINATORS
- COIL BINDING MACHINES
- UNIBIND BINDING MACHINES
- FASTBACK BINDING EQUIPMENT
- PAPER FOLDING MACHINES
- LAMINATING POUCHES
- ROTARY TRIMMERS
- CLEAR COVERS
- TWIN LOOP WIRE
- REGENCY COVERS
- PLASTIC BINDING COVERS
- VELOBIND BINDING MACHINES
- PAPER HANDLING EQUIPMENT
- THERMAL BINDING MACHINES
- PROCLICK BINDING SYSTEMS
- COMB BINDING MACHINES
- COMB BINDING SUPPLIES
- WIRE BINDING MACHINES
- POUCH LAMINATORS
- LAMINATING ROLLS
- 3-RING BINDERS
- ROLL LAMINATORS
- VELOBIND SPINES
- PAPER CUTTERS
- PAPER JOGGERS
- LETTER OPENERS
- THERMAL COVERS
- UNIBIND SUPPLIES
- PROCLICK SPINES
- ZIPBIND SPINES
- LINEN COVERS
- SPIRAL COIL
- INDEX TABS