

MBM 87M Paper Folder

Parts Catalog

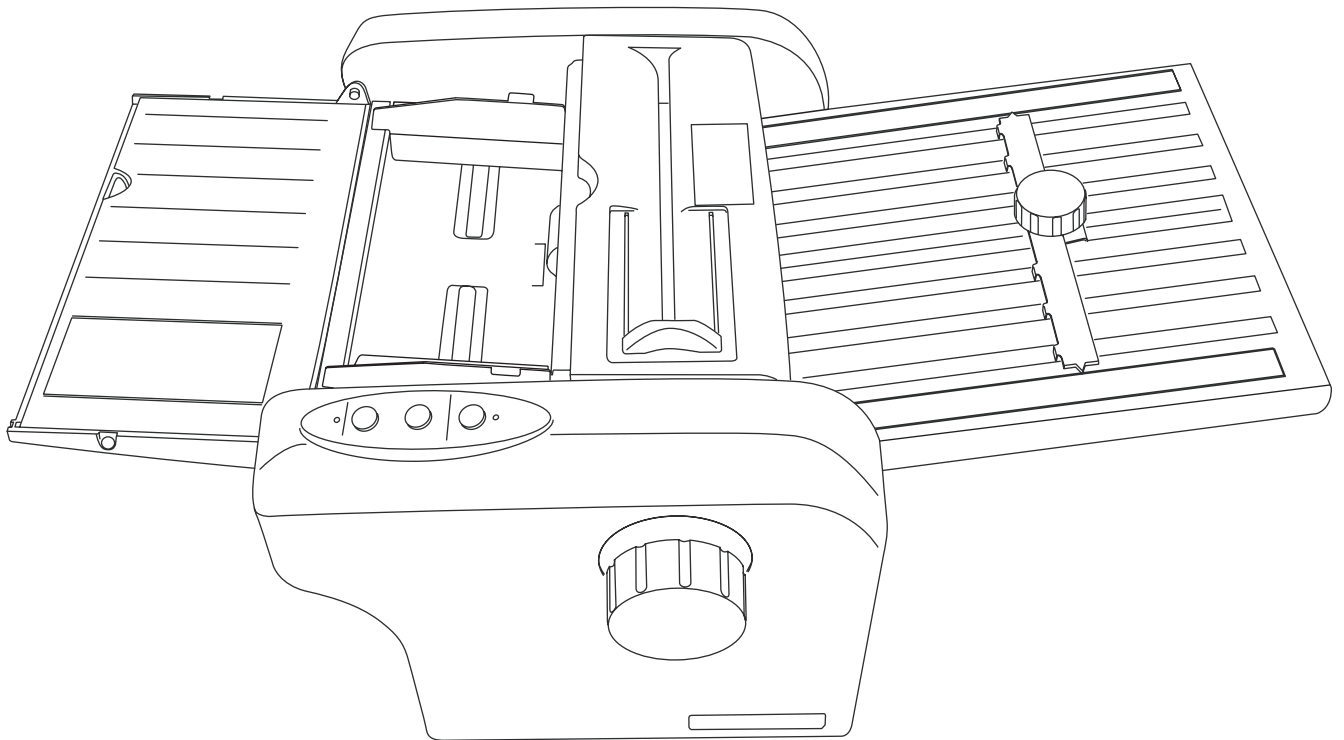


Provided By

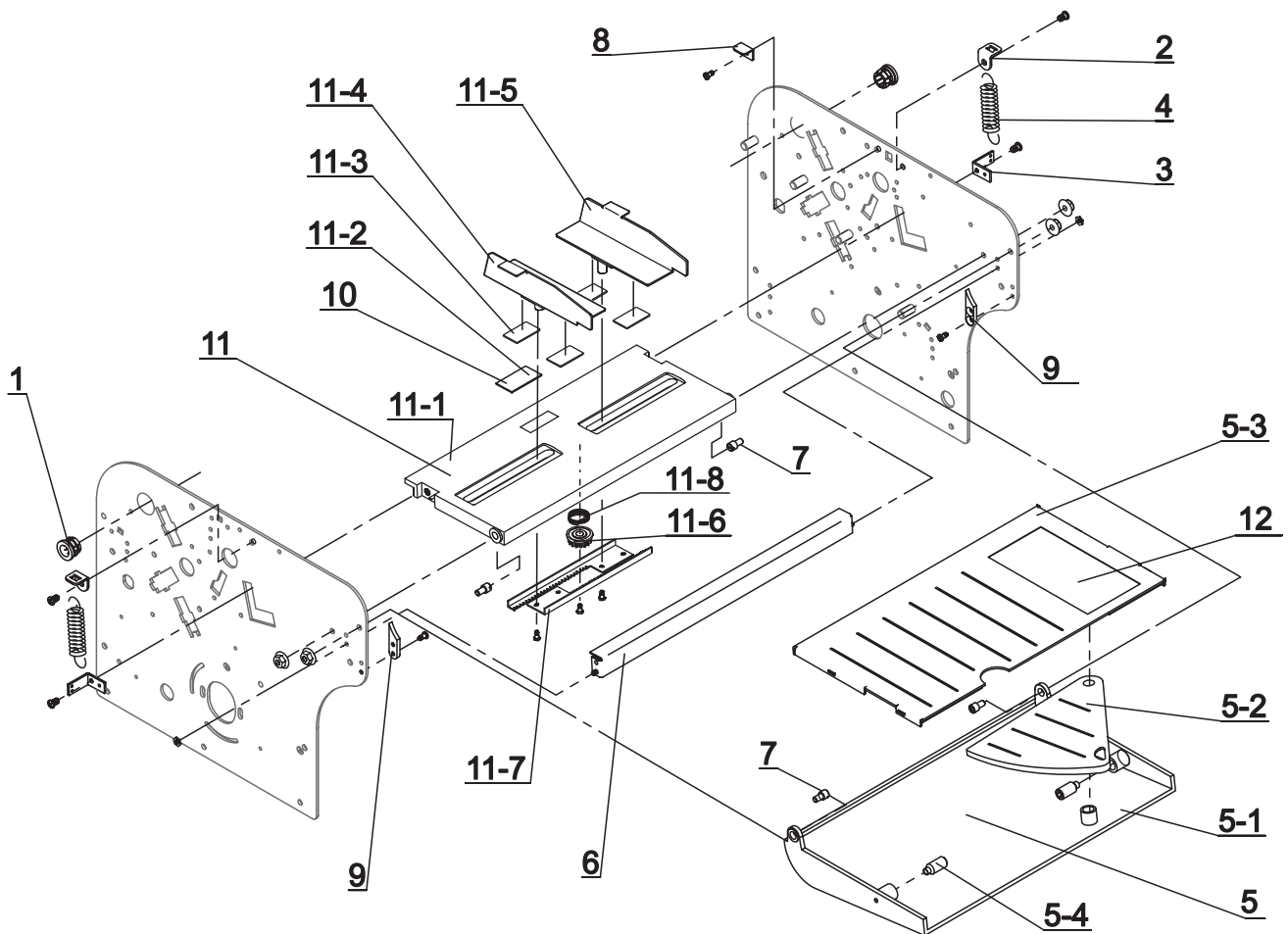
MyBinding.com®
When Image Matters.

PARTS CATALOG

MBM 87M

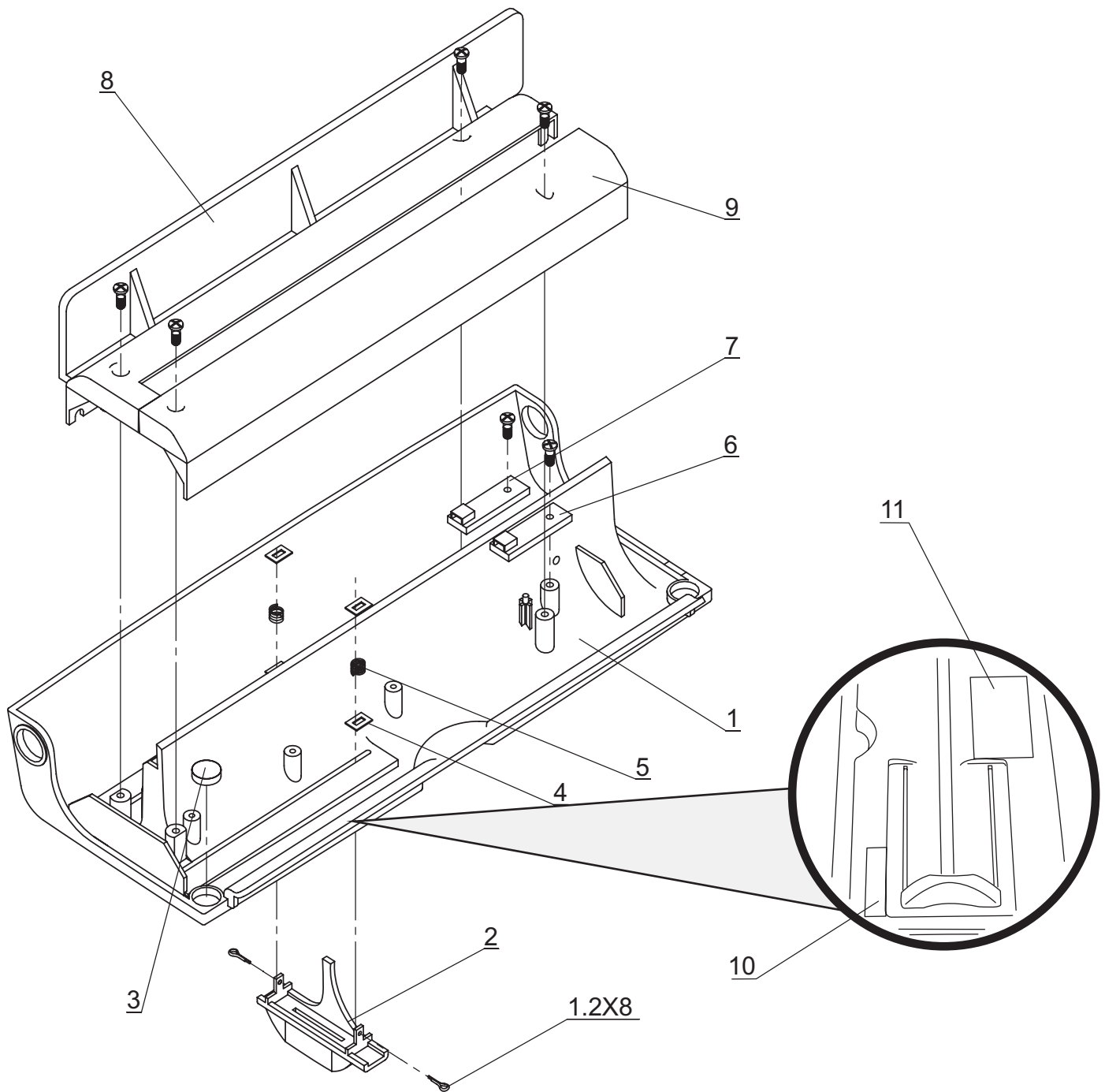


1. PAPER FEED SECTION



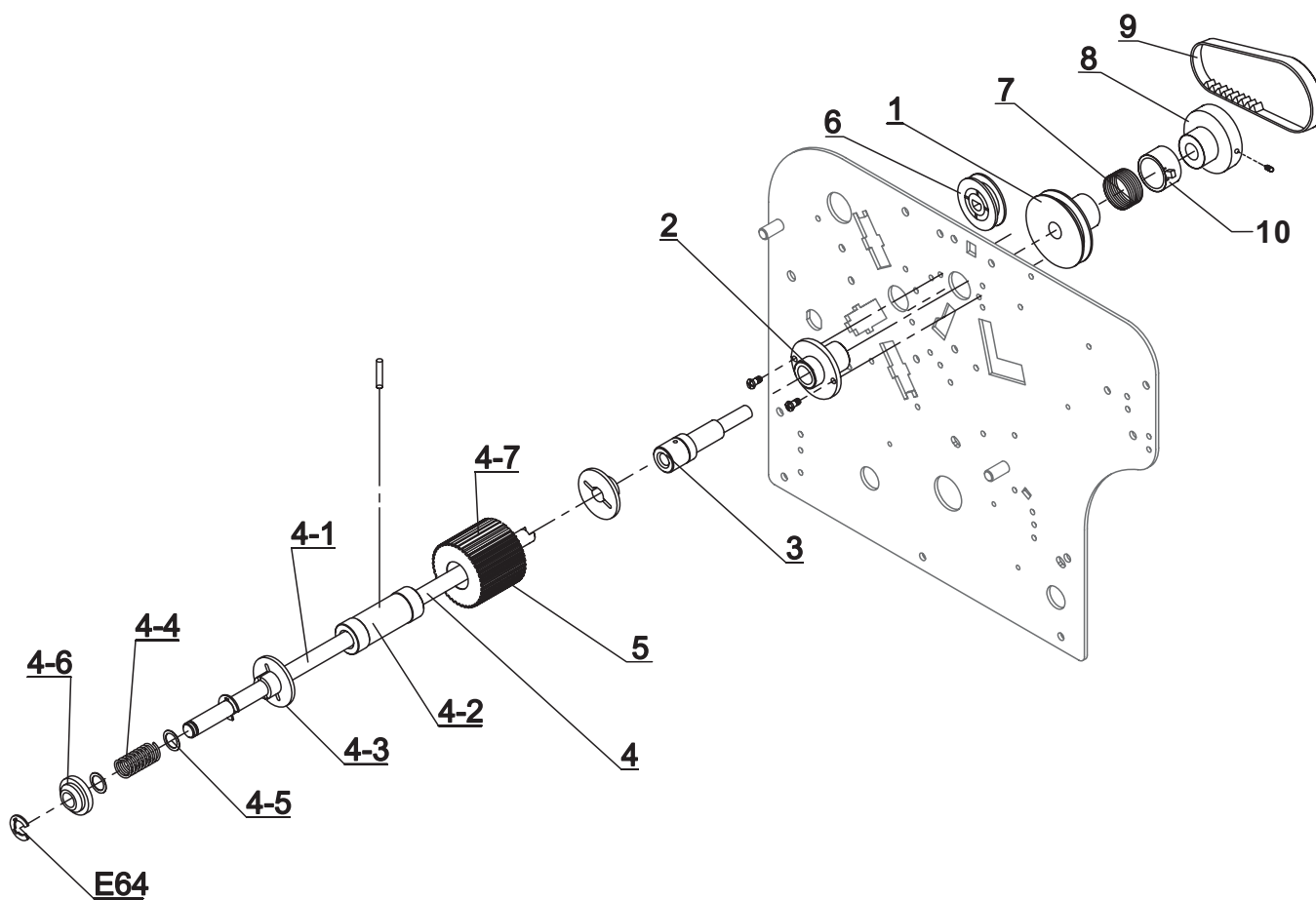
INDEX	PARTS No.	DESCRIPTION	QTY	REMARK
1	83F-50011	Collar	2	
2	83F-10011	Angle	2	
3	83F-20011	Lever	2	
4	83F-10021	Tension spring	2	
5	83F-20021	Auxiliary paper feed plate unit	1	Assembly unit
5-1	83F-20231	Auxiliary cover	1	
5-2	83F-20241	Auxiliary paper unit	1	
5-3	83F-20251	Auxiliary paper feed plate	1	
5-4	83F-20261	Holder screw	2	
6	83F-20031	Frame	1	
7	83F-20041	Pillar	4	
8	83F-20051	Bracket	1	
9	83F-20580	Holder plate	1	
10	83F-20081	Backward stopper	1	Assembly unit
11	83F-20091	Paper feed plate unit	1	
11-1	83F-20271	Paper feed plate	1	
11-2	83F-20081	Backward stopper	1	
11-3	83F-20281	Slide plate	1	
11-4	83F-20291	Paper guide L	4	
11-5	83F-20301	Paper guide R	1	
11-6	83F-20311	Gear	1	
11-7	83F-20321	Rack	1	
11-8	83F-20460	Spring	2	
12	83F-90320	Instruction sticker	1	

2. MANUAL FEED SECTION



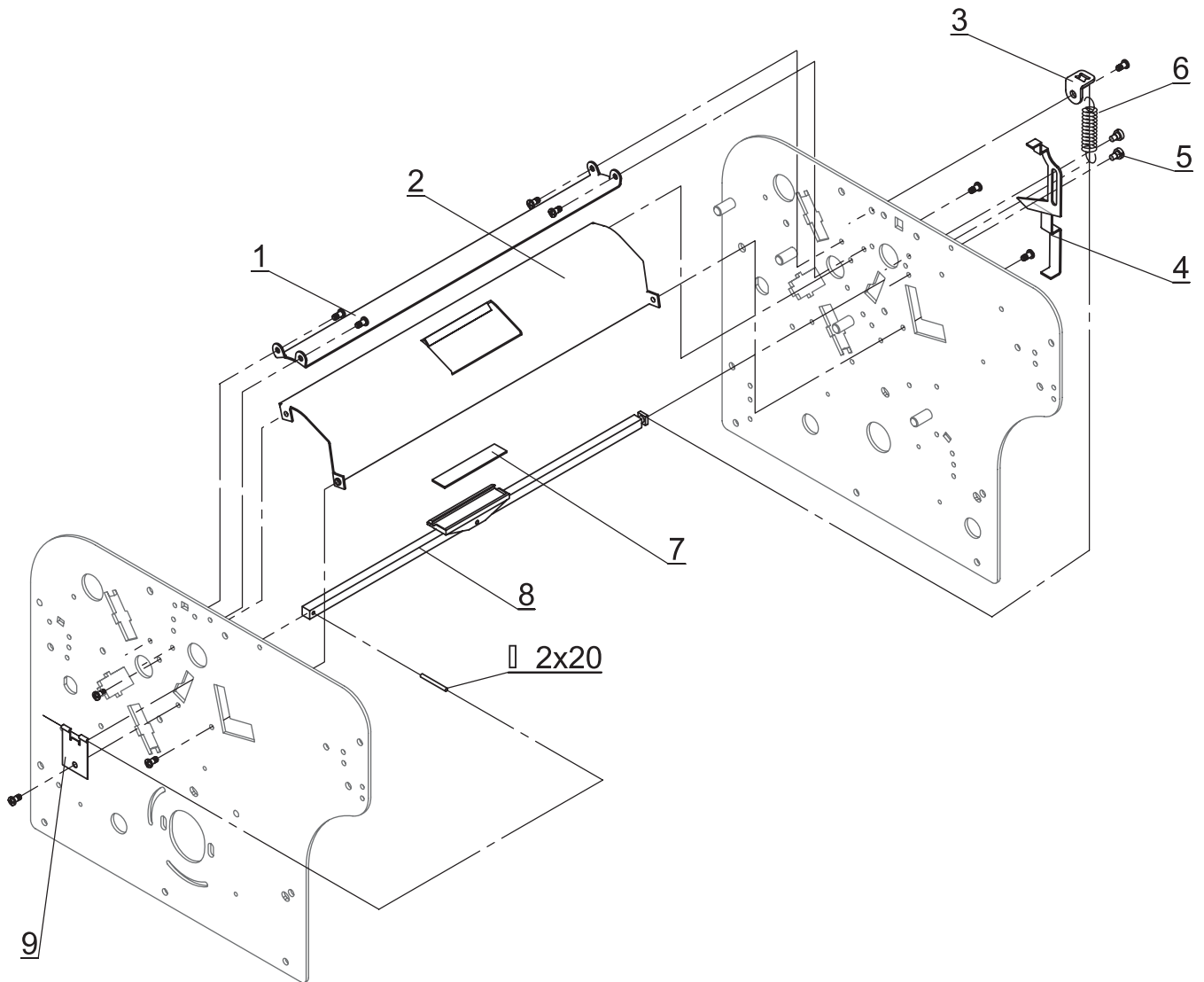
INDEX	PARTS No.	DESCRIPTION	QTY	REMARK
1	83F-50021	Manual feed insert unit	1	
2	83F-50031	Paper holder	1	
3	83F-10031	Magnet	1	
4	83F-10041	Collar	4	
5	83F-10051	Spring	2	
6	83F-80011	LED sensor unit	1	
7	83F-80021	PHD sensor unit	1	
8	83F-50041	Cover L	1	
9	83F-50051	Cover R	1	
10	83F-90360	Manual feed sticker	1	
11	83F-90081	Caution sticker	1	

3. FEED ROLLER SECTION



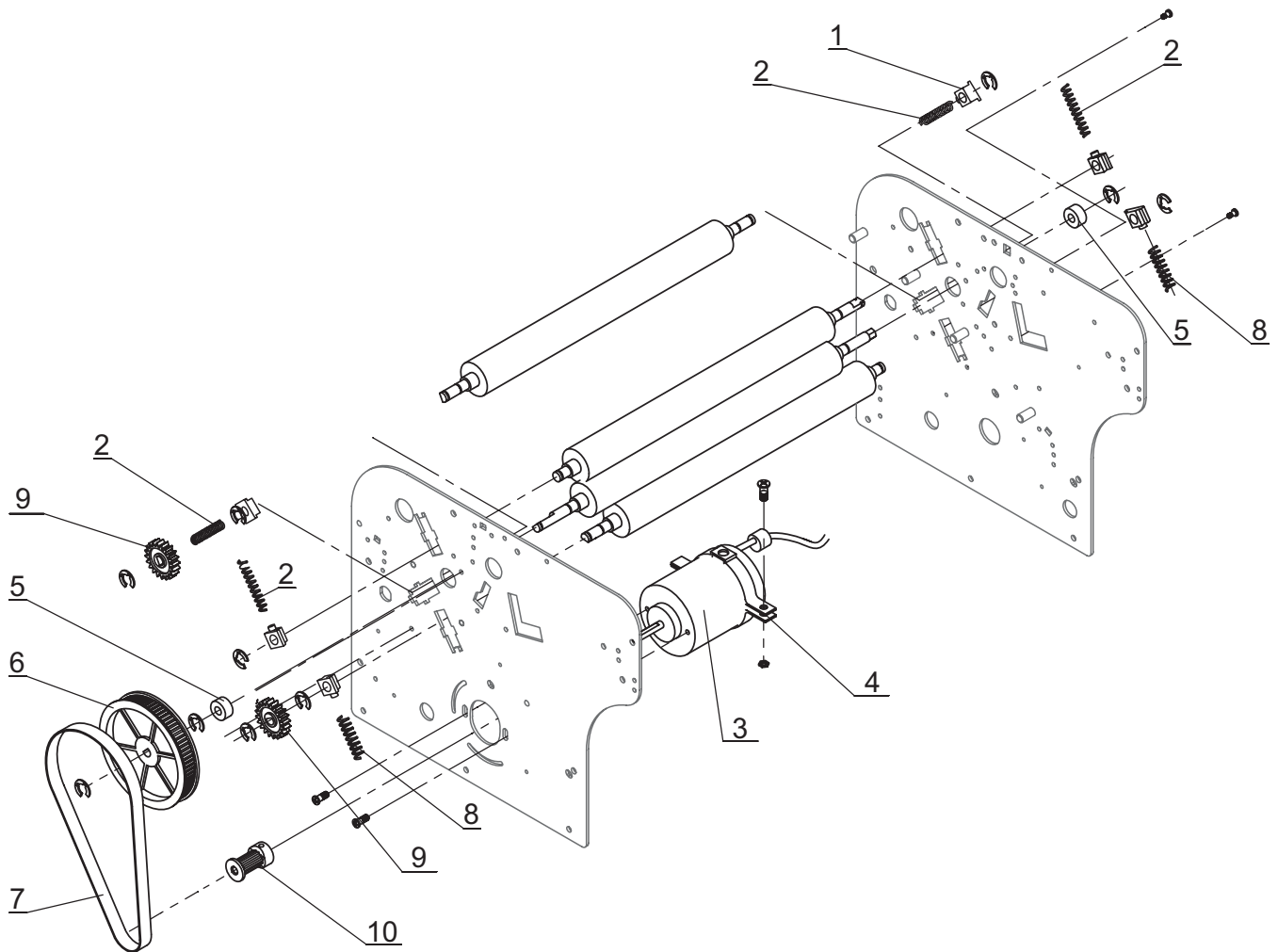
INDEX	PARTS No.	DESCRIPTION	QTY	REMARK
1	83F-20490	Pulley	1	
2	83F-20111	Pivot suspension	1	
3	83F-20470	Shaft	1	
4	83F-20141	Feed shaft unit	1	Assembly unit
4-1	83F-20331	Feed shaft	1	
4-2	83F-20341	Rubber ring boss	1	
4-3	83F-20351	Auxiliary feed roller	2	
4-4	83F-20361	Compression spring	1	
4-5	83F-20371	Washer	2	
4-6	83F-20381	Bearing	1	
4-7	83F-20131	Feed roller	1	
5	83F-20131	Feed roller	1	
6	83F-20480	Pulley	1	
7	83F-20500	Clutch spring	1	
8	83F-20510	Collar	1	
9	83F-20520	Gear belt	1	
10	83F-20570	Clutch spring case	1	

4. PAPER FEED GATE



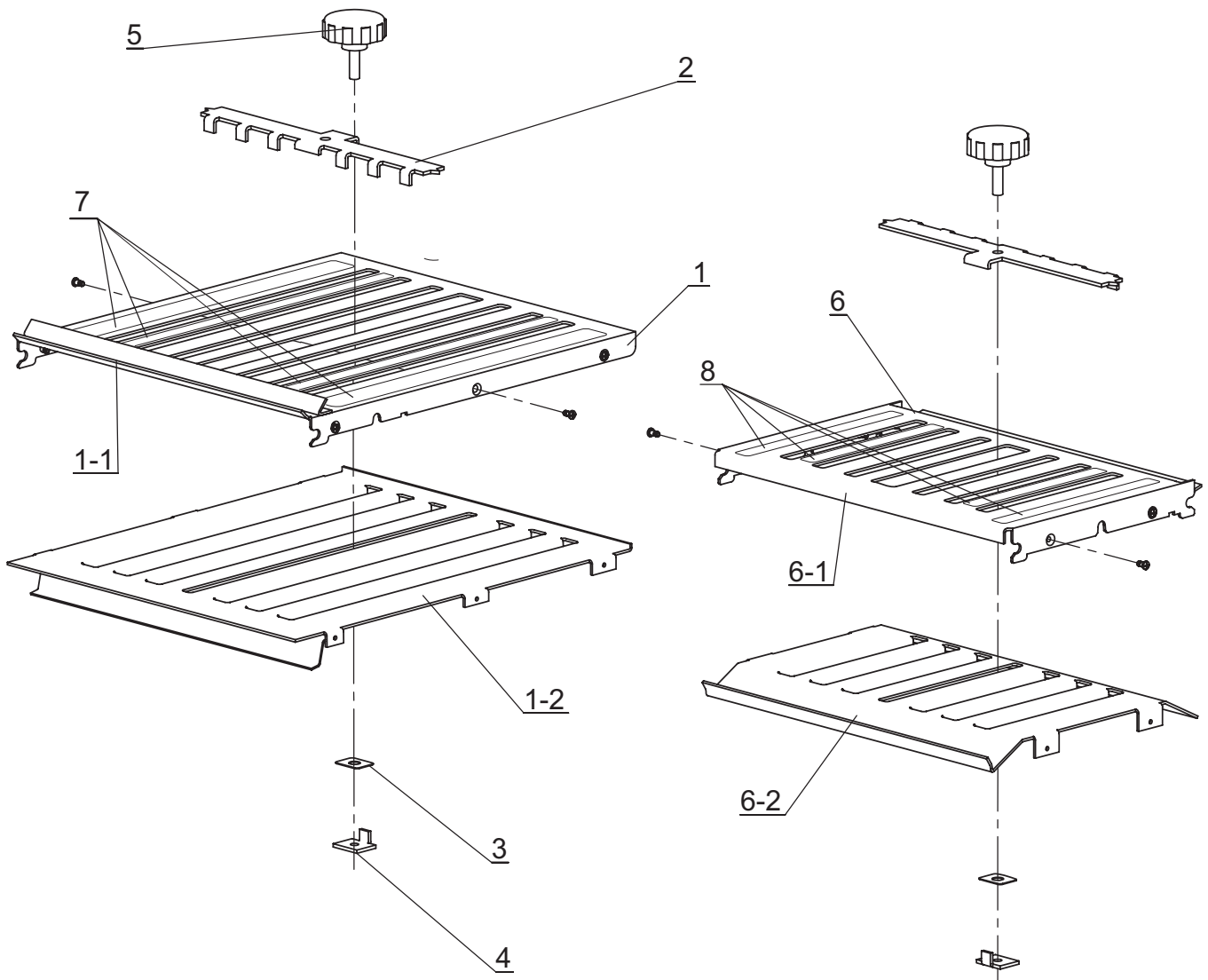
INDEX	PARTS No.	DESCRIPTION	QTY	REMARK
1	83F-20151	Paper Feed gate (upper)	1	
2	83F-20161	Paper Feed gate (lower)	1	
3	83F-10011	Angle	1	
4	83F-10061	Lever	1	
5	83F-10071	Screw	2	
6	83F-10021	Tension spring	1	
7	95K-12040	Paper separator	1	
8	83F-20171	Paper separator unit	1	
9	83F-10081	Holder plate	1	

5. PRESS ROLL SECTION



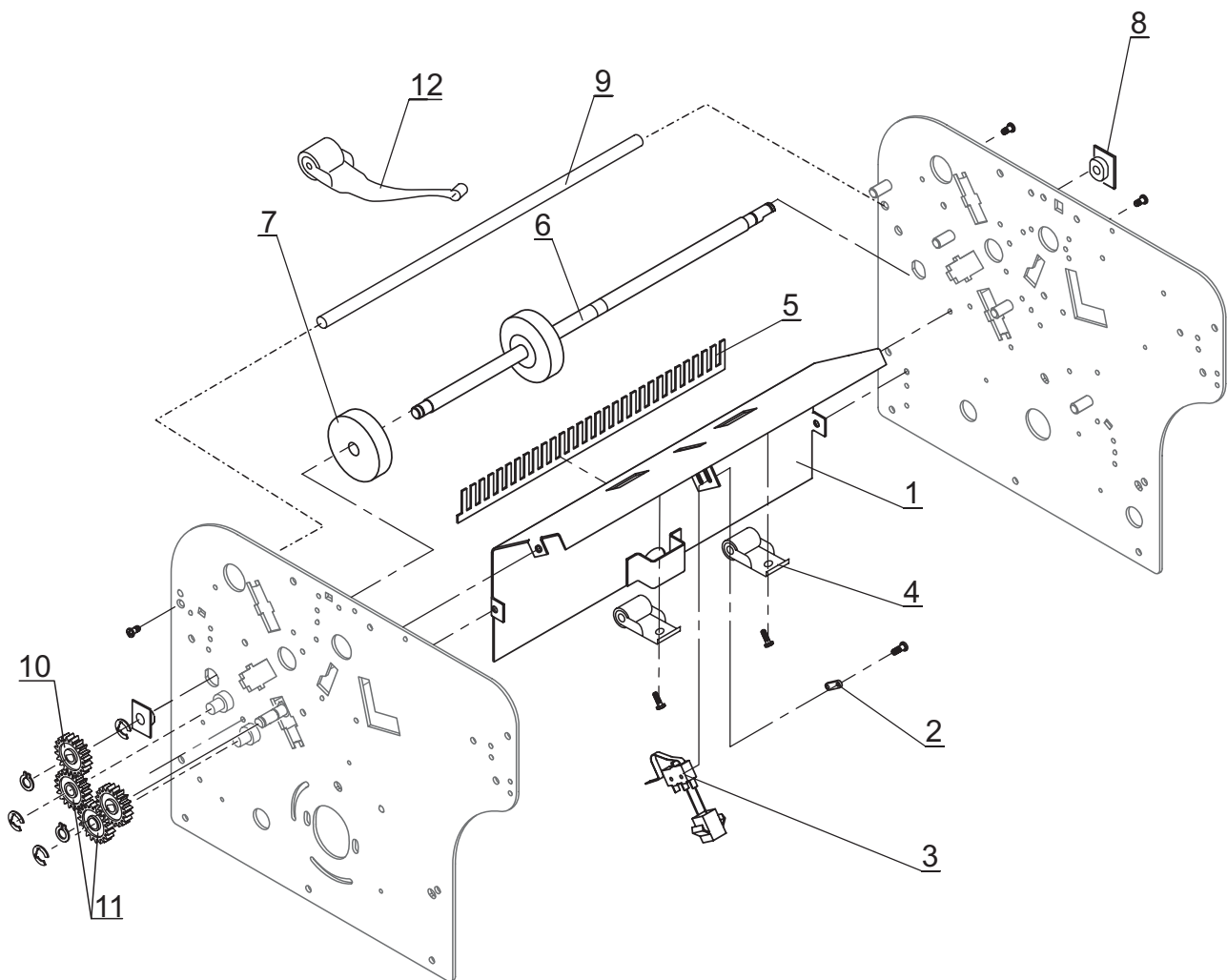
INDEX	PARTS No.	DESCRIPTION	QTY	REMARK
1	83F-30290	Metal collar	6	
2	83F-10091	Spring	4	10 circle
3	83F-80290	Motor unit	1	120V
4	83F-10141	Motor holder	1	
5	83F-10111	Bearing	2	
6	83F-30041	Gear	1	
7	83F-30051	Belt	1	
8	83F-10121	Spring	2	8 circle
9	83F-30061	Gear	2	
10	83F-10151	Motor gear	1	

6. FOLDING PLATE



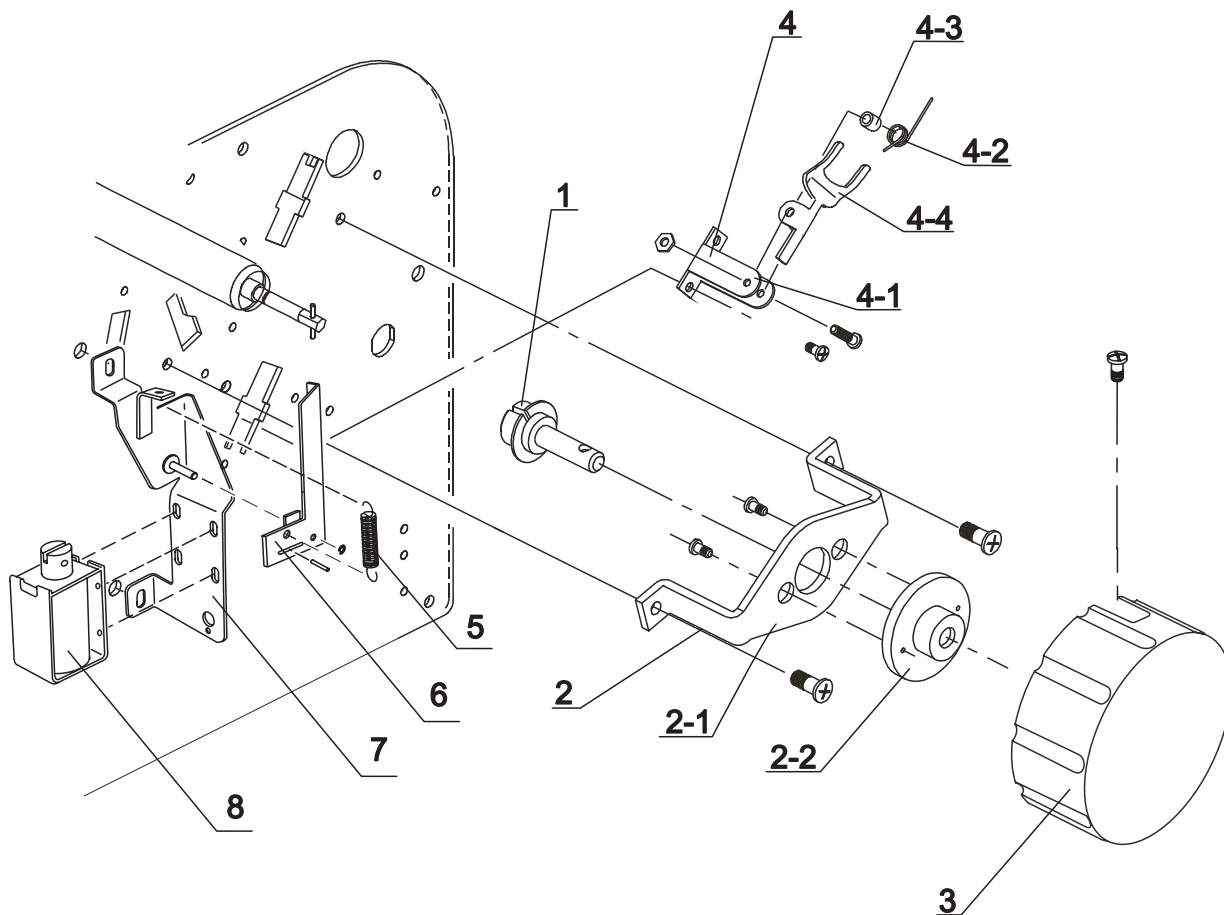
INDEX	PARTS No.	DESCRIPTION	QTY	REMARK
1	83F-30081	First folding plate assemble	1	Assembly unit
1-1	83F-30201	First folding plate	1	
1-2	83F-30211	Guide plate	1	
2	83F-30091	Stopper	2	
3	83F-30101	Side plate	2	
4	83F-30111	Plate	2	
5	83F-30121	Knob nut	2	
6	83F-30131	Second folding plate assemble	1	Assembly unit
6-1	83F-30221	Second folding plate	1	
6-2	83F-30231	Guide plate	1	
7	83F-90220	Upper folding plate sticker set	1	
8	83F-90270	Lower folding plate sticker set	1	

7. STACKER SECTION



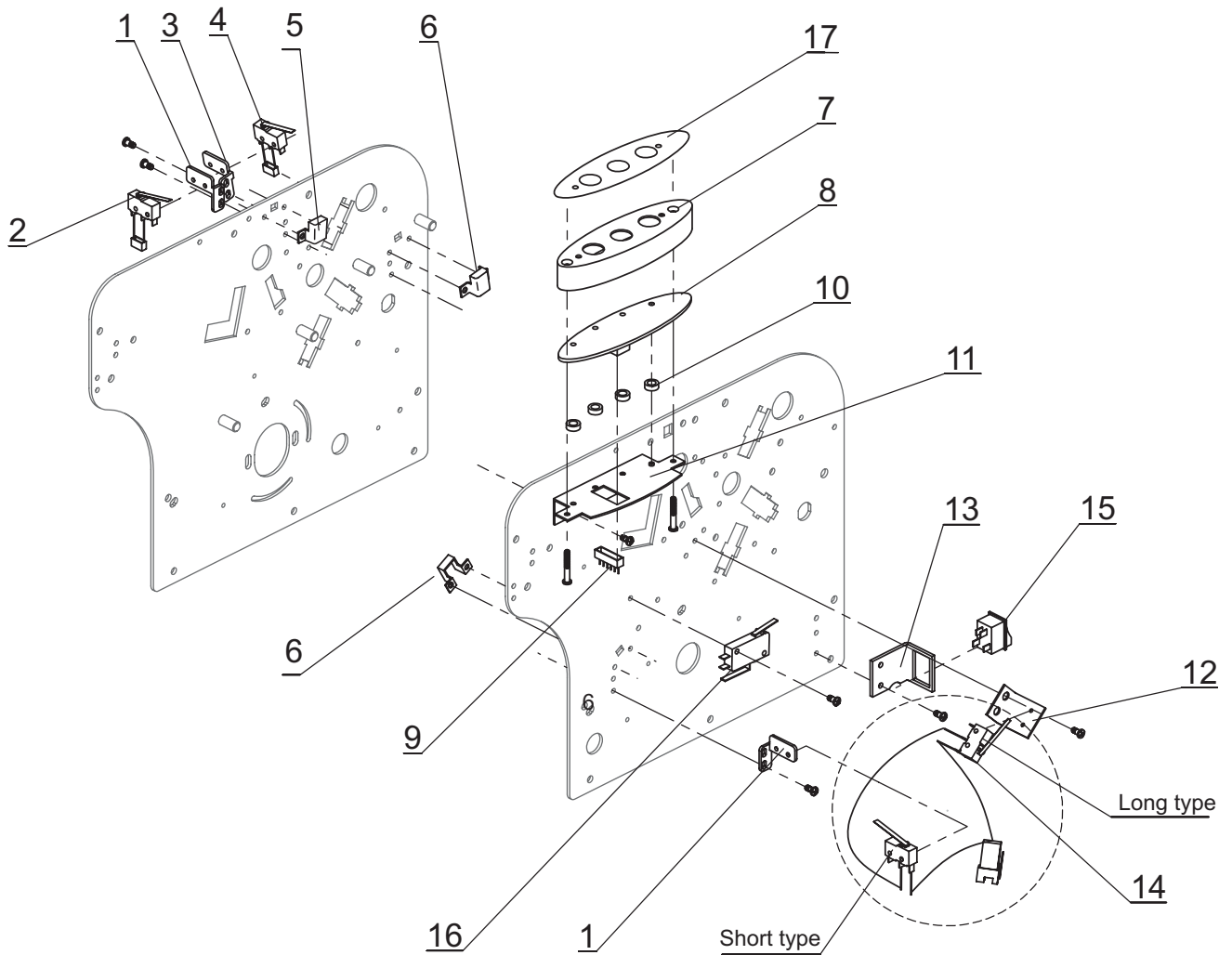
INDEX	PARTS No.	DESCRIPTION	QTY	REMARK
1	83F-40011	Stacker plate	1	
2	83F-40021	Screw plate	1	
3	83F-80051	Micro switch	1	
4	83F-40031	Roller unit	2	
5	83F-90010	Static eliminating brush	1	
6	83F-40240	Shaft	1	
7	83F-40051	Roller	2	
8	83F-40061	Bearing	2	
9	83F-10300	Shaft	1	
10	83F-30061	Gear	1	
11	83F-30280	Gear	2	
12	83F-40260	Auxiliary ejection roller	1	

8. HAND WHEEL UNIT



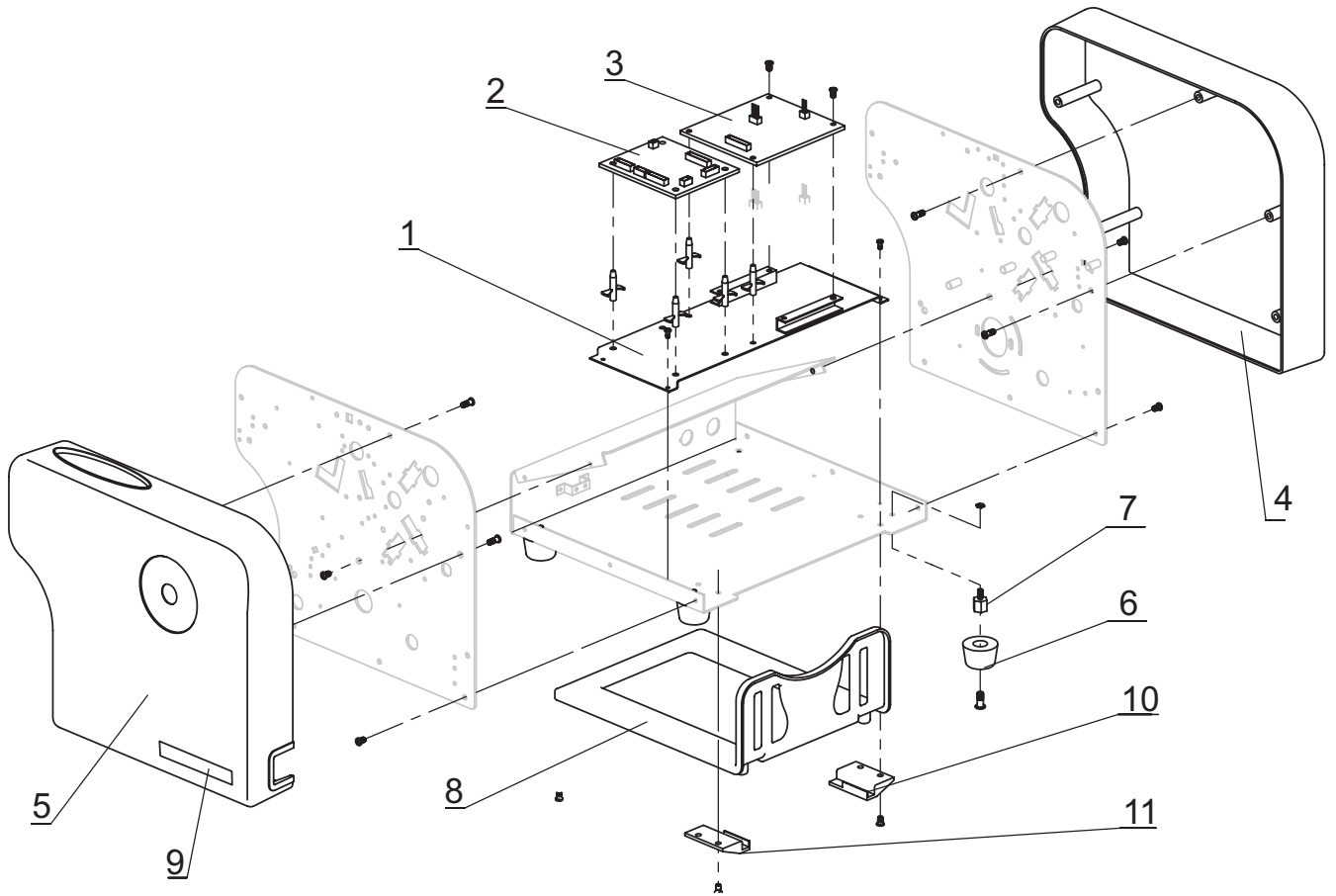
INDEX	PARTS No.	DESCRIPTION	QTY	REMARK
1	83F-40250	Hand wheel shaft	1	
2	83F-40081	Hand wheel bracket assy	1	Assembly unit
2-1	83F-40171	Hand wheel bracket	1	
2-2	83F-40181	Pivot suspension	1	
3	83F-40091	Hand wheel unit	1	
4	83F-40261	Spring bracket assy	1	Assembly unit
4-1	83F-40191	Spring bracket	1	
4-2	83F-40201	Spring	1	
4-3	83F-40211	Collar	1	
4-4	83F-40230	Lever	1	
5	83F-20540	Spring	1	
6	83F-20560	Latch	1	
7	83F-20550	Solenoid bracket	1	
8	83F-80280	Solenoid	1	

9. CONTROL PANEL SECTION



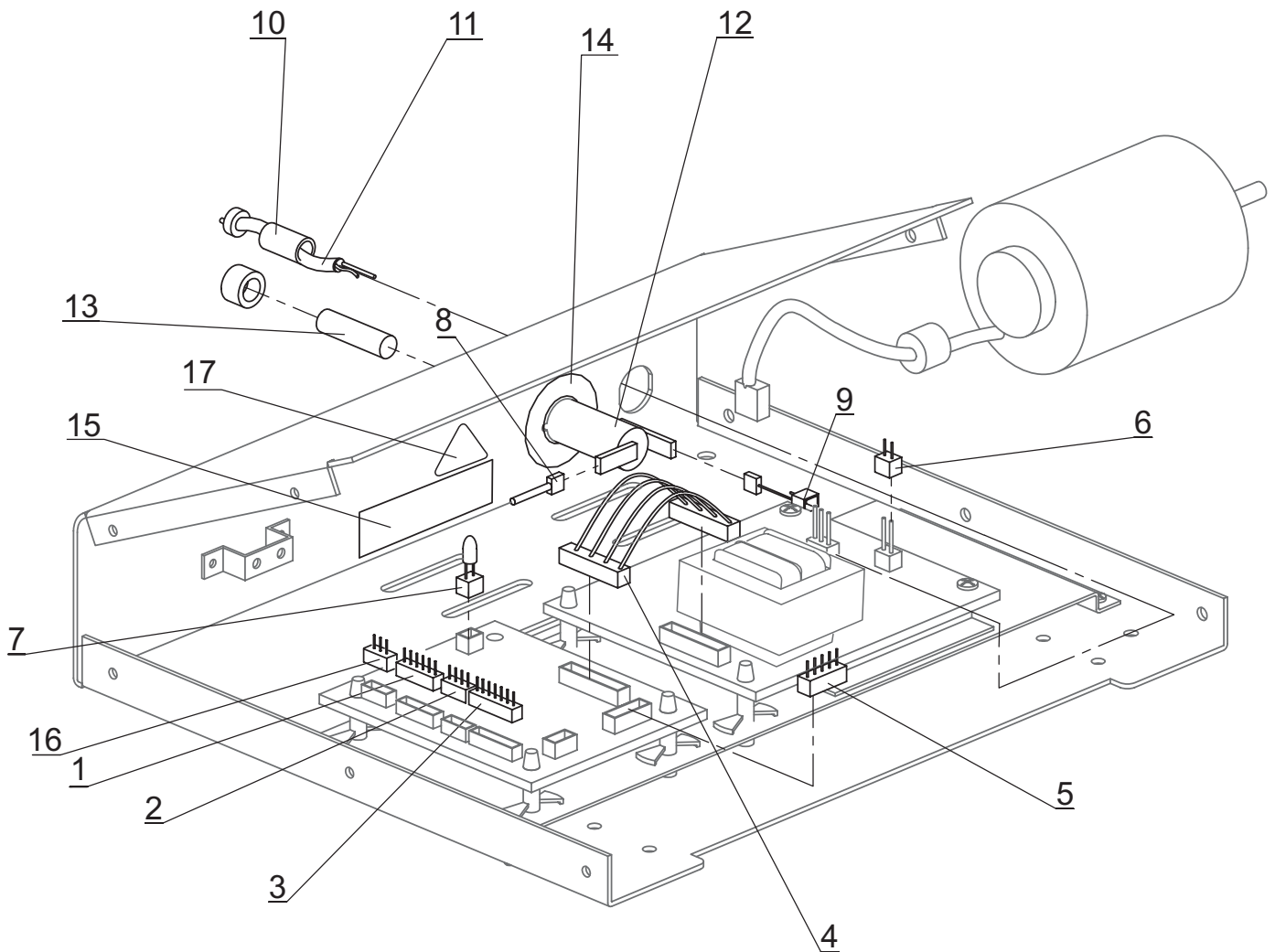
INDEX	PARTS No.	DESCRIPTION	QTY	REMARK
1	83F-10161	Micro switch bracket	2	
2	83F-80061	Micro switch	1	
3	83F-10171	Micro switch bracket	1	
4	83F-80071	Micro switch	1	
5	83F-10181	Micro switch cover	1	
6	83F-10191	Micro switch cover	2	
7	83F-10201	Control panel cover	1	
8	83F-80081	Control panel PCB unit	1	
9	83F-80091	6P Bundled wire unit	1	
10	83F-50061	Collar	4	
11	83F-10211	Control panel bracket	1	
12	83F-10221	Micro switch bracket	1	
13	83F-10231	Power switch bracket	1	
14	83F-80101	Micro switch	1	
15	83F-80111	Power switch	1	
16	83F-80121	Micro switch	1	
17	83F-90051	Panel sticker	1	

10. EXTERIOR



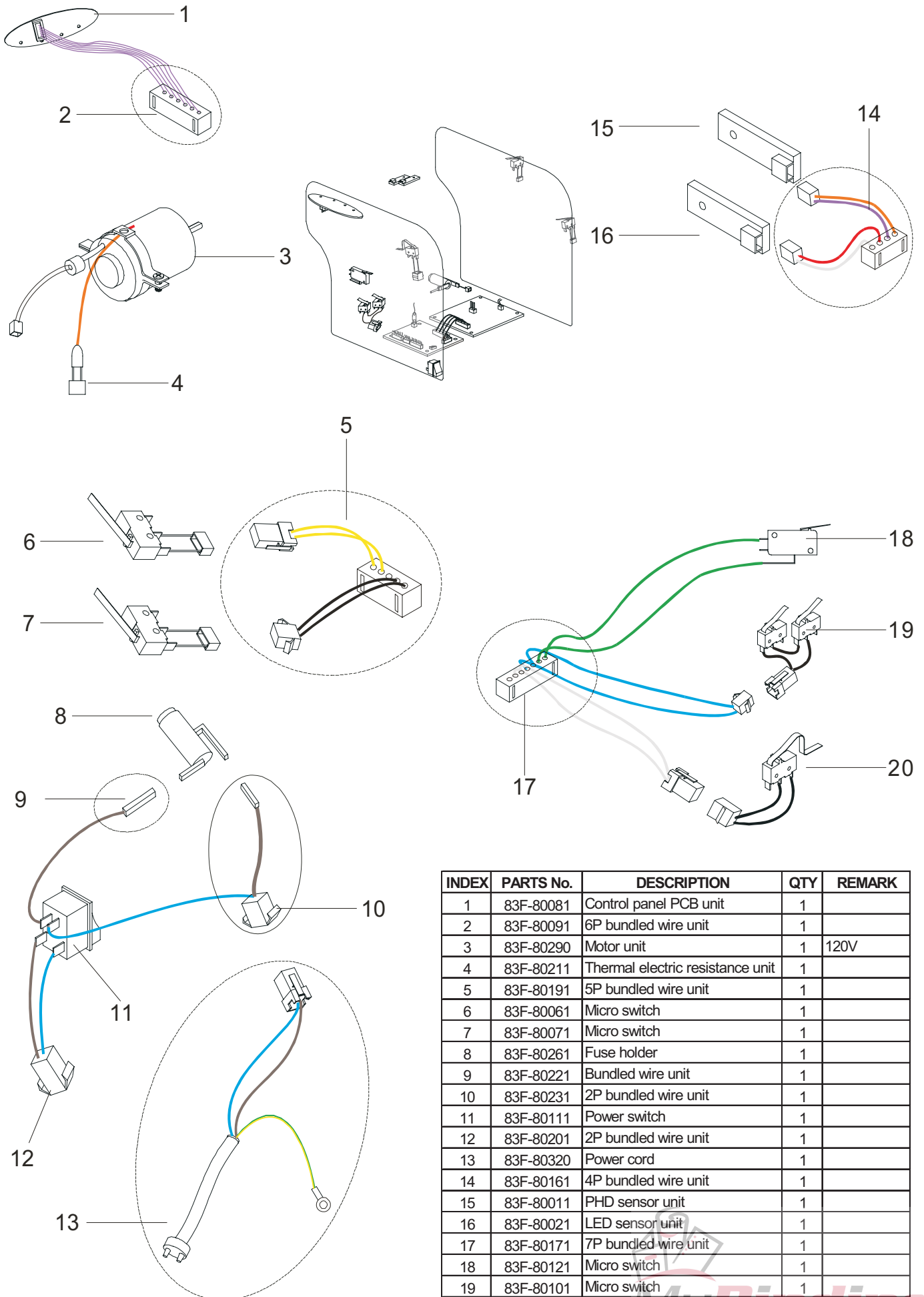
INDEX	PARTS No.	DESCRIPTION	QTY	REMARK
1	83F-10241	Main broad base	1	
2	83F-80300	Main broad	1	
3	83F-80310	AC120V Power supply broad	1	120V
4	83F-50071	Cover front	1	
5	83F-50081	Cover rear	1	
6	83F-50091	Rubber leg	4	
7	83F-10251	Pillar	4	
8	83F-40130	Paper receiving plate	1	
9	83F-90330	Brand plate	1	
10	83F-40111	Guide plate R	1	
11	83F-40121	Guide plate L	1	

11. ELECTRICAL PARTS SECTION



INDEX	PARTS No.	DESCRIPTION	QTY	REMARK
1	83F-80091	6P bundled wire unit	1	
2	83F-80161	4P bundled wire unit	1	
3	83F-80171	7P bundled wire unit	1	
4	83F-80181	8P bundled wire unit	1	
5	83F-80191	5P bundled wire unit	1	
6	83F-80201	2P bundled wire unit	1	
7	83F-80211	Thermal electric resistance unit	1	
8	83F-80221	Bundled wire unit	1	
9	83F-80231	2P bundled wire unit	1	
10	83F-80241	EMI Filter	1	
11	83F-80320	Power cord	1	
12	83F-80261	Fuse holder	1	
13	83F-80330	Fuse	1	240V / 4A
14	83F-90340	Fuse rating sticker	1	
15	83F-90101	Fuse caution sticker	1	
16	83F-80340	3P bundled wire unit	1	
17	83F-90350	Lightning sticker	1	

12. WIRE CONNECTOR SECTION



INDEX	PARTS No.	DESCRIPTION	QTY	REMARK
1	83F-80081	Control panel PCB unit	1	
2	83F-80091	6P bundled wire unit	1	
3	83F-80290	Motor unit	1	120V
4	83F-80211	Thermal electric resistance unit	1	
5	83F-80191	5P bundled wire unit	1	
6	83F-80061	Micro switch	1	
7	83F-80071	Micro switch	1	
8	83F-80261	Fuse holder	1	
9	83F-80221	Bundled wire unit	1	
10	83F-80231	2P bundled wire unit	1	
11	83F-80111	Power switch	1	
12	83F-80201	2P bundled wire unit	1	
13	83F-80320	Power cord	1	
14	83F-80161	4P bundled wire unit	1	
15	83F-80011	PHD sensor unit	1	
16	83F-80021	LED sensor unit	1	
17	83F-80171	7P bundled wire unit	1	
18	83F-80121	Micro switch	1	
19	83F-80101	Micro switch	1	
20	83F-80051	Micro switch	1	

INDEX

PARTS No.	PAGE	INDEX	PARTS No.	PAGE	INDEX	PARTS No.	PAGE	INDEX
83F-10011	1	2	83F-20341	3	4-2	83F-40261	8	4
83F-10011	4	3	83F-20351	3	4-3	83F-50011	1	1
83F-10021	1	4	83F-20361	3	4-4	83F-50021	2	1
83F-10021	4	6	83F-20371	3	4-5	83F-50031	2	2
83F-10031	2	3	83F-20381	3	4-6	83F-50041	2	8
83F-10041	2	4	83F-20460	1	11-8	83F-50051	2	9
83F-10051	2	5	83F-20470	3	3	83F-50061	9	10
83F-10061	4	4	83F-20480	3	6	83F-50071	10	4
83F-10071	4	5	83F-20490	3	1	83F-50081	10	5
83F-10081	4	9	83F-20500	3	7	83F-50091	10	6
83F-10091	5	2	83F-20510	3	8	83F-80011	2	6
83F-10111	5	5	83F-20520	3	9	83F-80021	2	7
83F-10121	5	8	83F-20540	8	5	83F-80051	7	3
83F-10141	5	4	83F-20550	8	7	83F-80061	9	2
83F-10151	5	10	83F-20560	8	6	83F-80071	9	4
83F-10161	9	1	83F-20570	3	10	83F-80081	9	8
83F-10171	9	3	83F-20580	1	9	83F-80091	9	9
83F-10181	9	5	83F-30041	5	6	83F-80091	11	1
83F-10191	9	6	83F-30051	5	7	83F-80101	9	14
83F-10201	9	7	83F-30061	5	9	83F-80111	9	15
83F-10211	9	11	83F-30061	7	10	83F-80121	9	16
83F-10221	9	12	83F-30081	6	1	83F-80161	11	2
83F-10231	9	13	83F-30091	6	2	83F-80171	11	3
83F-10241	10	1	83F-30101	6	3	83F-80181	11	4
83F-10251	10	7	83F-30111	6	4	83F-80191	11	5
83F-10300	7	9	83F-30121	6	5	83F-80201	11	6
83F-20011	1	3	83F-30131	6	6	83F-80211	11	7
83F-20021	1	5	83F-30201	6	1-1	83F-80221	11	8
83F-20031	1	6	83F-30211	6	1-2	83F-80231	11	9
83F-20041	1	7	83F-30221	6	6-1	83F-80241	11	10
83F-20051	1	8	83F-30231	6	6-2	83F-80261	11	12
83F-20081	1	10	83F-30280	7	11	83F-80280	8	8
83F-20081	1	11-2	83F-30290	5	1	83F-80290	5	3
83F-20091	1	11	83F-40011	7	1	83F-80300	10	2
83F-20111	3	2	83F-40021	7	2	83F-80310	10	3
83F-20131	3	4-7	83F-40031	7	4	83F-80320	11	11
83F-20131	3	5	83F-40051	7	7	83F-80330	11	13
83F-20141	3	4	83F-40061	7	8	83F-80340	11	16
83F-20151	4	1	83F-40081	8	2	83F-90010	7	5
83F-20161	4	2	83F-40091	8	3	83F-90051	9	17
83F-20171	4	8	83F-40111	10	10	83F-90081	2	11
83F-20231	1	5-1	83F-40121	10	11	83F-90101	11	15
83F-20241	1	5-2	83F-40130	10	8	83F-90220	6	7
83F-20251	1	5-3	83F-40171	8	2-1	83F-90270	6	8
83F-20261	1	5-4	83F-40181	8	2-2	83F-90320	1	12
83F-20271	1	11-1	83F-40191	8	4-1	83F-90330	10	9
83F-20281	1	11-3	83F-40201	8	4-2	83F-90340	11	14
83F-20291	1	11-4	83F-40211	8	4-3	83F-90350	11	17
83F-20301	1	11-5	83F-40230	8	4-4	83F-90360	2	10
83F-20311	1	11-6	83F-40240	7	6	95K-12040	4	7
83F-20321	1	11-7	83F-40250	8	1			
83F-20331	3	4-1	83F-40260	7	12			

We Have it All...



MyBinding.com

When Image Matters.

Guaranteed Lowest Prices on an
Endless Selection of Binding Systems, Laminators,
Paper Shredders, Supplies and Accessories.

We have you covered with Expert Advice
and Support. Our popular blog keeps you up to
date on the latest tips and techniques to make
your most important binding and laminating
tasks a success.

Call Us Today

1-800-944-4573

Our Trusted Partners

GBC / Ibico
Fellowes
Powis Fastback
Unibind
Akiles
Renz
Tamerica
Rhin-O-Tuff
DFG

Pro-Bind
Martin Yale
MBM
Formax
Intimus
Dahle
HSM
Standard
Xyron

Challenge
Lasko-Wizer
GBC Shredmaster
Avery
Wilson Jones
Cardinal
Samsill
Universal

- BINDING MACHINES
- BINDING SUPPLIES
- LAMINATORS
- I.D. ACCESSORIES
- BOARDS & EASELS
- PAPER SHREDDERS
- XYRON LAMINATORS
- COIL BINDING MACHINES
- UNIBIND BINDING MACHINES
- FASTBACK BINDING EQUIPMENT
- PAPER FOLDING MACHINES
- LAMINATING POUCHES
- ROTARY TRIMMERS
- CLEAR COVERS
- TWIN LOOP WIRE
- REGENCY COVERS
- PLASTIC BINDING COVERS
- VELOBIND BINDING MACHINES
- PAPER HANDLING EQUIPMENT
- THERMAL BINDING MACHINES
- PROCLICK BINDING SYSTEMS
- COMB BINDING MACHINES
- COMB BINDING SUPPLIES
- WIRE BINDING MACHINES
- POUCH LAMINATORS
- LAMINATING ROLLS
- 3-RING BINDERS
- ROLL LAMINATORS
- VELOBIND SPINES
- PAPER CUTTERS
- PAPER JOGGERS
- LETTER OPENERS
- THERMAL COVERS
- UNIBIND SUPPLIES
- PROCLICK SPINES
- ZIPBIND SPINES
- LINEN COVERS
- SPIRAL COIL
- INDEX TABS

