

# Intimus 2051 Paper Folding Machine

## Quick Start Instructions



Provided By

**MyBinding**.com®  
*When Image Matters.*

## 4 Setting a Paper Size, Fold Type, and Quantity



Press the "SIZE SELECT" button located on the operator interface to specify your paper size.



Press the "FOLD SELECT" button and choose the fold type you wish from the selection.



Press the "QUANTITY" button, input the numbers of pages to fold, and then press the enter button.



You are now ready to begin folding paper.

## 5 Folding Paper



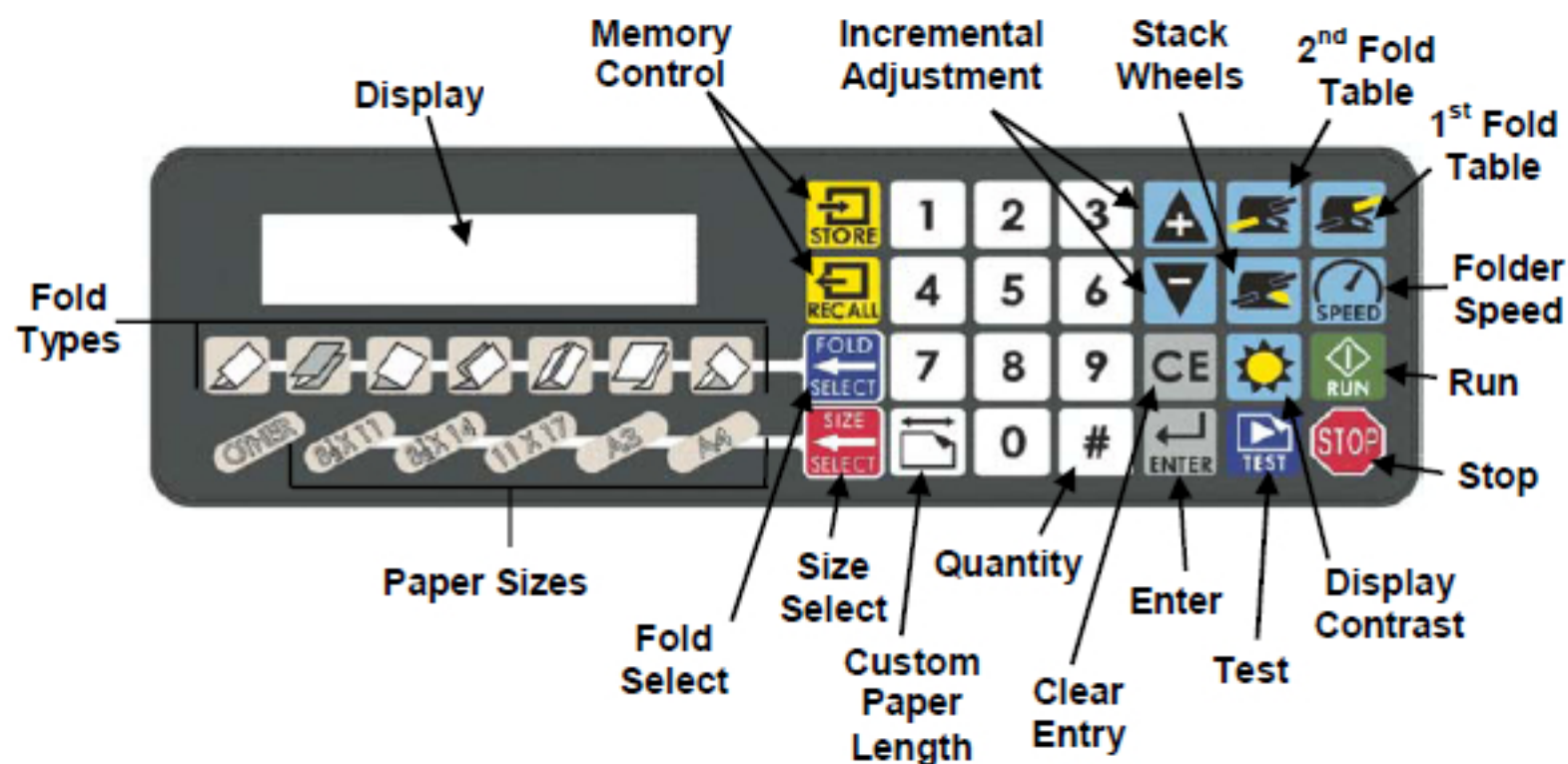
Pressing the "RUN" button will initiate folding. Folding will continue until one of the follow conditions is met:

1. The Stop button is pressed,
2. The Feed Table becomes empty of paper,
3. A folding error is encountered, or
4. The programmed quantity reaches 0 (zero).



*In case of emergency, press the "STOP" button to automatically stop the machine.*

### Operator Interface



# intimus<sup>®</sup>

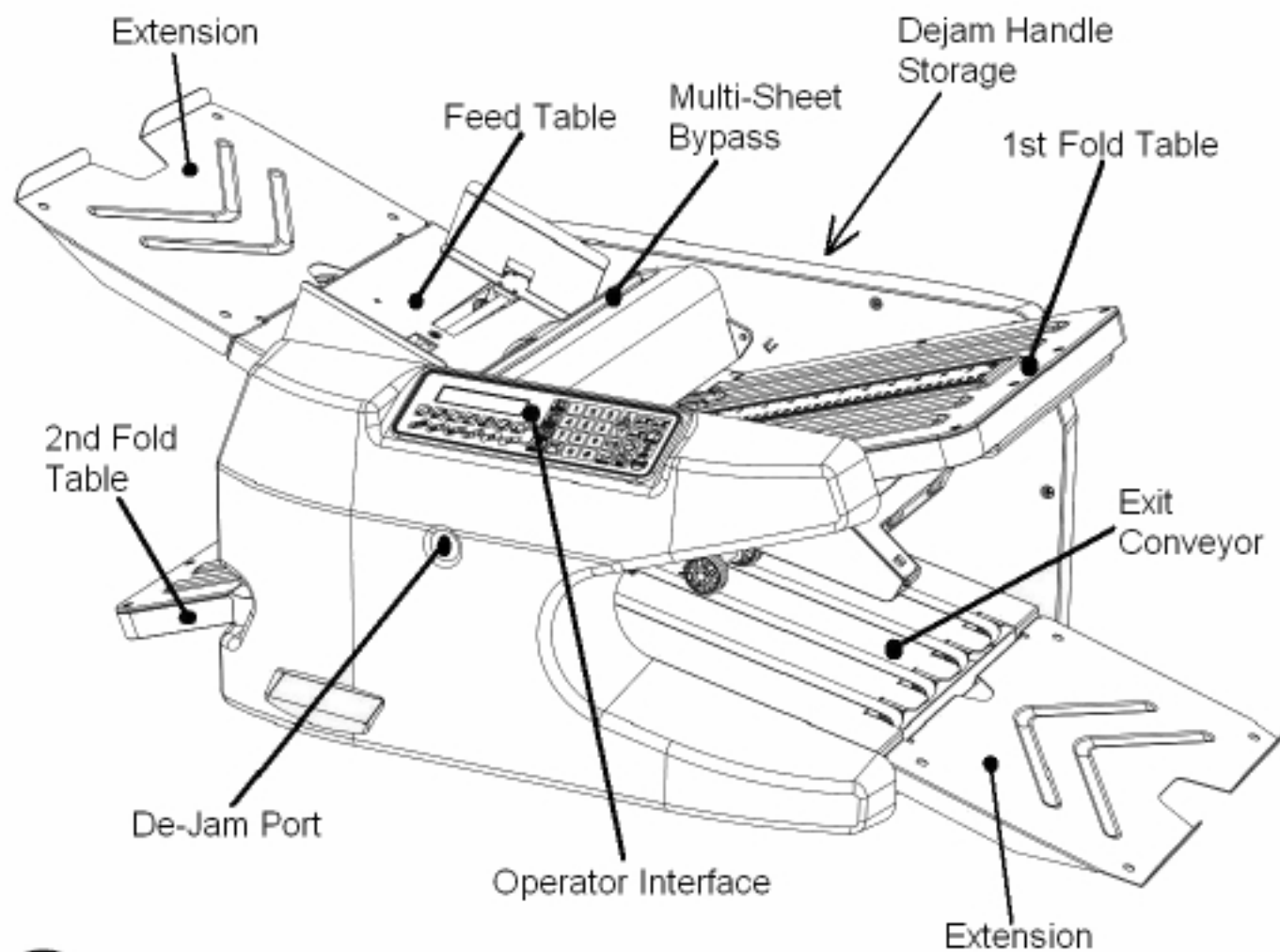
## 2051 SmartFold™

### Quick Start Instructions



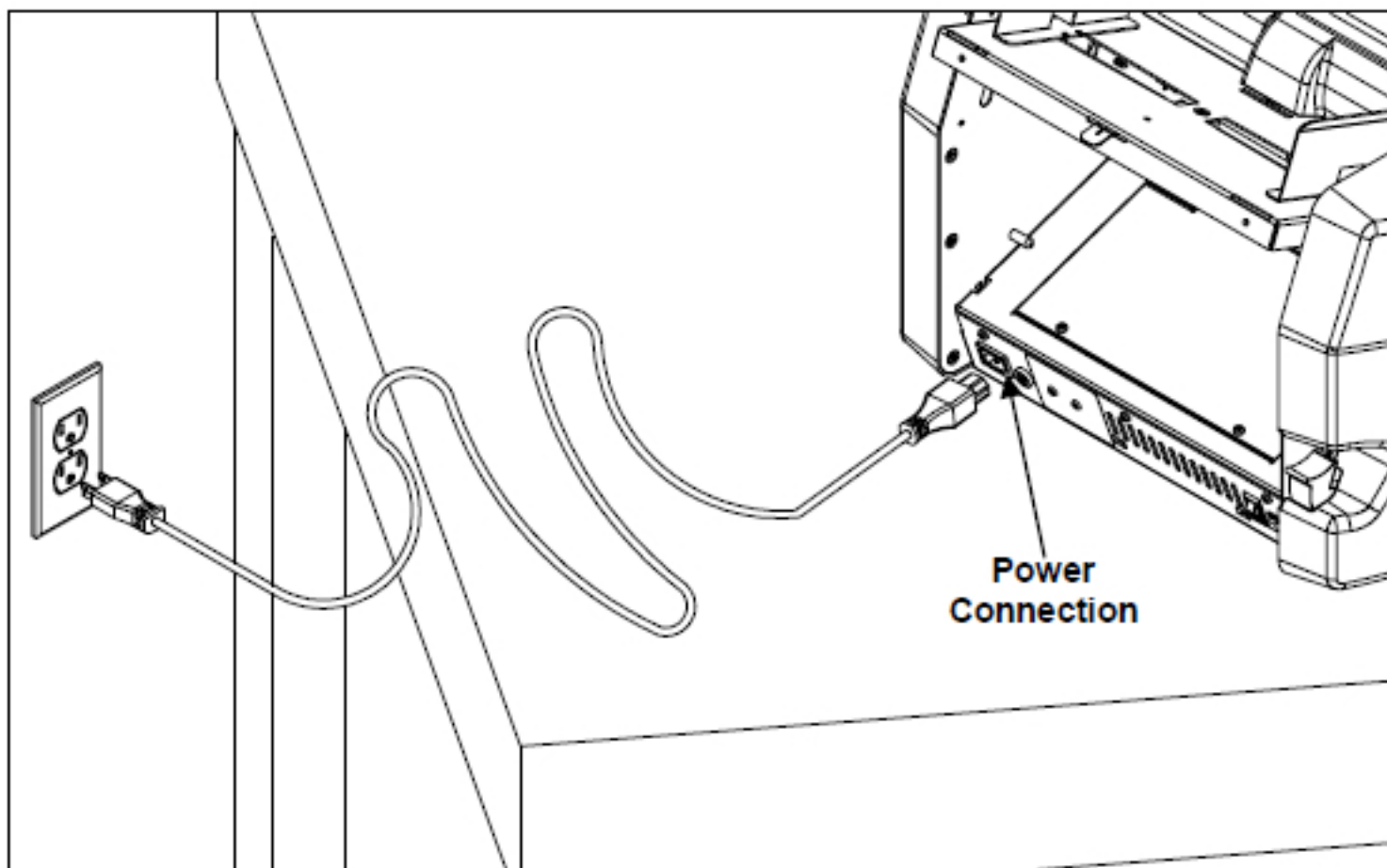
- 1 Setting up the Machine
- 2 Fold Table Installation
- 3 Loading the Paper
- 4 Setting a Paper Size, Fold Type, and Quantity
- 5 Folding Paper

"For important safety instructions and warnings, refer to the User Manual."



## 1 Setting up the Machine

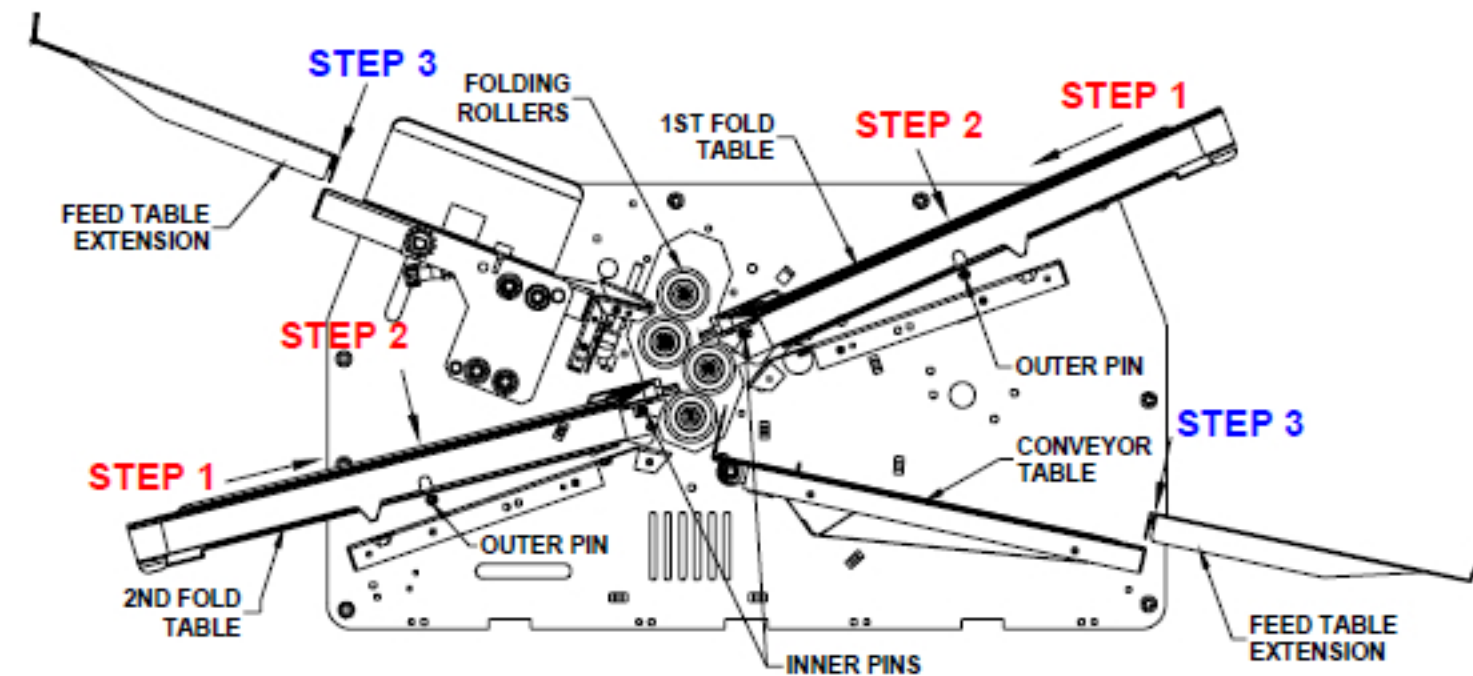
Remove your 2051 AutoFolder from the box & place it on a flat, sturdy table or work surface. Attach the Power Cord to the Power Connection on the machine and plug into an AC outlet.



## 2 Fold Table Installation

**Step 1:** slide the front slot opening of the fold table onto the inner set of pins (closest to the folding rollers).

**Step 2:** lower the fold table onto the outer set of pins. Repeat Steps 1 & 2 for 2<sup>nd</sup> Fold Table installation (see illustration below).

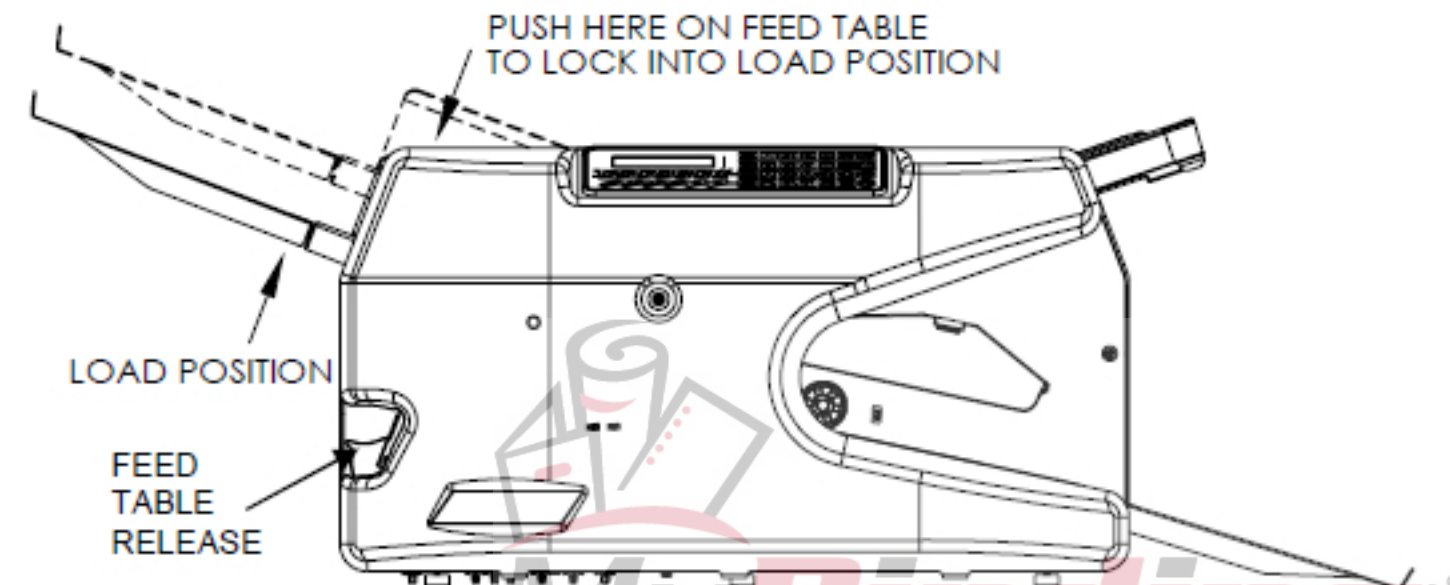


### Table Extensions

**Step 3:** align the locking tabs of the Table Extension with the slots in the Feed Table. Squeeze the Feed Table and Table Extension together nearest the tabs and slots until the 2 pieces snap together. Repeat step 3 for Conveyor Table (see illustration above).

## 3 Loading the Paper

To load paper into the Feed Table, push the Feed Table down, until it locks into the "load" position as shown.



Load the paper into the Feed Table. Unlock the Feed Table to return to the raised position by depressing the Feed Table Release (see illustration above).

# We Have it All...



## **MyBinding.com**

*When Image Matters.*

**Guaranteed Lowest Prices** on an  
Endless Selection of Binding Systems, Laminators,  
Paper Shredders, Supplies and Accessories.

**We have you covered** with Expert Advice  
and Support. Our popular blog keeps you up to  
date on the latest tips and techniques to make  
your most important binding and laminating  
tasks a success.

**Call Us Today**

**1-800-944-4573**

### **Our Trusted Partners**

GBC / Ibico  
Fellowes  
Powis Fastback  
Unibind  
Akiles  
Renz  
Tamerica  
Rhin-O-Tuff  
DFG

Pro-Bind  
Martin Yale  
MBM  
Formax  
Intimus  
Dahle  
HSM  
Standard  
Xyron

Challenge  
Lasko-Wizer  
GBC Shredmaster  
Avery  
Wilson Jones  
Cardinal  
Samsill  
Universal



- BINDING MACHINES
- BINDING SUPPLIES
- LAMINATORS
- I.D. ACCESSORIES
- BOARDS & EASELS
- PAPER SHREDDERS
- XYRON LAMINATORS
- COIL BINDING MACHINES
- UNIBIND BINDING MACHINES
- FASTBACK BINDING EQUIPMENT
- PAPER FOLDING MACHINES
- LAMINATING POUCHES
- ROTARY TRIMMERS
- CLEAR COVERS
- TWIN LOOP WIRE
- REGENCY COVERS
- PLASTIC BINDING COVERS
- VELOBIND BINDING MACHINES
- PAPER HANDLING EQUIPMENT
- THERMAL BINDING MACHINES
- PROCLICK BINDING SYSTEMS
- COMB BINDING MACHINES
- COMB BINDING SUPPLIES
- WIRE BINDING MACHINES
- POUCH LAMINATORS
- LAMINATING ROLLS
- 3-RING BINDERS
- ROLL LAMINATORS
- VELOBIND SPINES
- PAPER CUTTERS
- PAPER JOGGERS
- LETTER OPENERS
- THERMAL COVERS
- UNIBIND SUPPLIES
- PROCLICK SPINES
- ZIPBIND SPINES
- LINEN COVERS
- SPIRAL COIL
- INDEX TABS

