

# GBC Ultima 65-1 Laminator

## Product Specifications



Provided By

**MyBinding.com**  
*When Image Matters.*

## SPECIFICATIONS

## SPECIFICHE TECNICHE

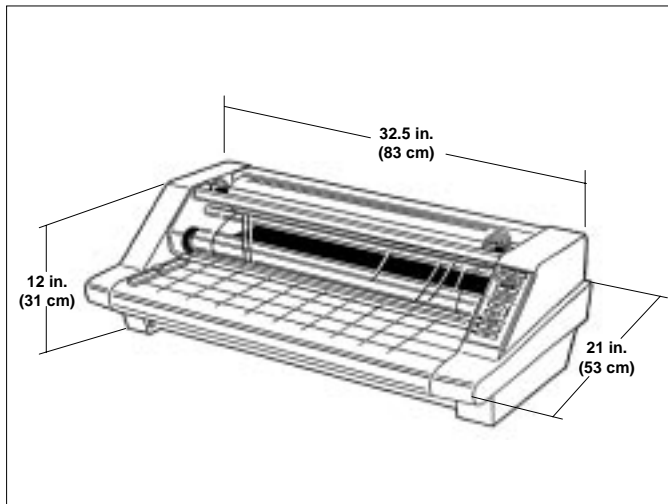


Fig. 1

**Operating Speed:**

1.5 fpm (45.6 cm) to 9 fpm (3m).

**Dimensions (W x L x H):** (Fig. 1)

32.5 in. x 21 in. x 12 in.

(83 cm x 53 cm x 31 cm)

**Weight:**

104 lb. (47 kg)

**Electrical Requirements:**

Refer to the serial plate located on the rear of the laminator for the specific electrical rating applicable to the unit.

**Voltage:** 120V~60 Hz

(230V~50 Hz)

**Current:** 13.4 A (7.8 A)

**Power:** 1610 W (1800 W)

**FCC NOTE:** This equipment has been tested and found to comply with the limits for a Class A digital device, pursuant to part 15 of the FCC Rules. These limits are designed to provide reasonable protection against harmful interference when the equipment is operated in a commercial environment. This equipment generates, uses, and can radiate radio frequency energy and, if not installed and used in accordance with the instruction manual, may cause harmful interference to radio communications. Operation of this equipment in a residential area is likely to cause harmful interference in which case the user will be required to correct the interference at his/ her own expense.

**Velocità di funzionamento**

da 45,6 cm a 3 m per minuto

**Dimensioni (L x P x H)** (fig. 1)

83 cm x 53 cm x 31 cm

**Peso:**

47 kg

**Requisiti elettrici:**

Consultare la targhetta di serie sul retro della plastificatrice per i requisiti elettrici specifici applicabili all'unità.

**Tensione:** 230V - 50 Hz

**Corrente:** 7.8 A

**Potenza:** 1800 W

**NOTA FCC:** Il collaudo di questo dispositivo ha confermato che rispetta i limiti per i dispositivi digitali della Classe A, secondo la sezione 15 delle norme FCC. Detti limiti sono concepiti per offrire una protezione ragionevole contro le interferenze dannose quando il dispositivo viene utilizzato in un mezzo commerciale. Questo dispositivo genera, usa e può irradiare energia di radiofrequenza e, se non è installato ed usato secondo le istruzioni del manuale, può causare delle interferenze dannose alle comunicazioni radio. Operare questo dispositivo in un'area residenziale è causa probabile di interferenze dannose: in tal caso l'operatore è obbligato a correggere l'interferenza a spese proprie.

# We Have it All...



## **MyBinding.com**

*When Image Matters.*

**Guaranteed Lowest Prices** on an Endless Selection of Binding Systems, Laminators, Paper Shredders, Supplies and Accessories.

**We have you covered** with Expert Advice and Support. Our popular blog keeps you up to date on the latest tips and techniques to make your most important binding and laminating tasks a success.

**Call Us Today**

**1-800-944-4573**

### **Our Trusted Partners**

GBC / Ibico

Fellowes

Powis Fastback

Unibind

Akiles

Renz

Tamerica

Rhin-O-Tuff

DFG

Pro-Bind

Martin Yale

MBM

Formax

Intimus

Dahle

HSM

Standard

Xyron

Challenge

Lasko-Wizer

GBC Shredmaster

Avery

Wilson Jones

Cardinal

Samsill

Universal

- BINDING MACHINES
- BINDING SUPPLIES
- LAMINATORS
- I.D. ACCESSORIES
- BOARDS & EASELS
- PAPER SHREDDERS
- XYRON LAMINATORS
- COIL BINDING MACHINES
- UNIBIND BINDING MACHINES
- FASTBACK BINDING EQUIPMENT
- PAPER FOLDING MACHINES
- LAMINATING POUCHES
- ROTARY TRIMMERS
- CLEAR COVERS
- TWIN LOOP WIRE
- REGENCY COVERS
- PLASTIC BINDING COVERS
- VELOBIND BINDING MACHINES
- PAPER HANDLING EQUIPMENT
- THERMAL BINDING MACHINES
- PROCLICK BINDING SYSTEMS
- COMB BINDING MACHINES
- COMB BINDING SUPPLIES
- WIRE BINDING MACHINES
- POUCH LAMINATORS
- LAMINATING ROLLS
- 3-RING BINDERS
- ROLL LAMINATORS
- VELOBIND SPINES
- PAPER CUTTERS
- PAPER JOGGERS
- LETTER OPENERS
- THERMAL COVERS
- UNIBIND SUPPLIES
- PROCLICK SPINES
- ZIPBIND SPINES
- LINEN COVERS
- SPIRAL COIL
- INDEX TABS

