

# AKILES COILMAC ECI

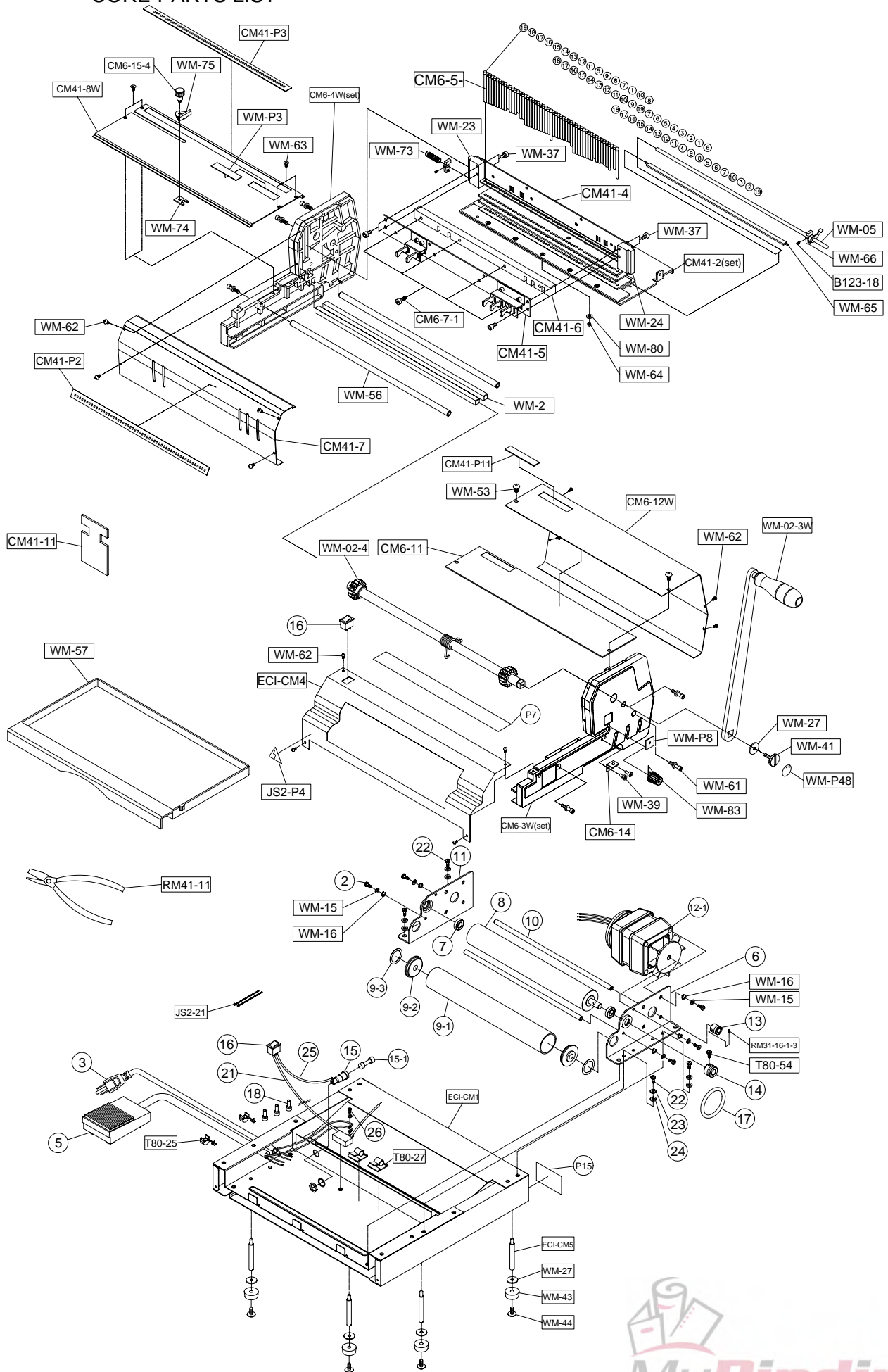
## Parts List



Provided By

**MyBinding**.com®  
*When Image Matters.*

COILMAC-41ECI  
CORE PARTS LIST



## CORE PARTS SETS FOR COILMAC-ECI41

Part No.	Description	Q'ty
CM41-2(Set)	CM Set of Blade 41	1Set
CM6-3W(Set)	CM Side Plate Right	1Set
CM6-4W(Set)	CM Side Plate Left	1Set
WM-02-3W	Set of punch Handle	1Set
WM-02-4	Set of Punch Shaft	1Set
WM-05	Set of Depth Control Shaft	1Set

## STICKER FOR COILMAC-ECI41

Part No.	Description	Q'ty
CM41-P11	CoilMac-41ECI Sticker	1 pcs
CM41-P5	Set-pin Ruler Sticker 41	1 pcs
CM41-P6	Punch Ruler Sticker 41	1 pcs
ECI-P7	ECI-CM Operation Sticker	1 pcs
WM-P3	Logo Sticker	1 pcs
WM-P8	Depth Margin Sticker	1 pcs
WM-P48	Handle Direction Sticker	1 pcs
ECI-P15	ECI-CM Identity Sticker	1 pcs
JS2-P4	Shock Warning Sticker	1 pcs

## CORE PARTS FOR COILMAC-ECI41

Part No.	Description	Q'ty
B123-18	Hexagon Bolt M3x4	2 pcs
CM41-4	Rear Plate for Set Pin 41	1 pcs
CM6-5-1	Blade 47.5mm Length	3 pcs
CM6-5-2	Blade 48.5mm Length	3 pcs
CM6-5-3	Blade 49.5mm Length	3 pcs
CM6-5-4	Blade 50.5mm Length	3 pcs
CM6-5-5	Blade 51.5mm Length	3 Pcs
CM6-5-6	Blade 52.5mm Length	3 Pcs
CM6-5-7	Blade 53.5mm Length	3 Pcs
CM6-5-8	Blade 54.5mm Length	3 Pcs
CM6-5-9	Blade 55.5mm Length	3 Pcs
CM6-5-10	Blade 56.5mm Length	3 Pcs
CM6-5-11	Blade 57.5mm Length	3 Pcs
CM6-5-12	Blade 58.5mm Length	3 Pcs
CM6-5-13	Blade 59.5mm Length	3 Pcs
CM6-5-14	Blade 60.5mm Length	3 Pcs
CM6-5-15	Blade 61.5mm Length	3 Pcs
CM6-5-16	Blade 62.5mm Length	3 Pcs
CM6-5-17	Blade 63.5mm Length	3 Pcs
CM6-5-18	Blade 64.5mm Length	1 Pcs
CM6-5-19	Blade 65.5mm Length	1 Pcs
CM41-5	Set of Set-Pins 41	1 Set
CM41-6	Press Bar 41	1 Pcs
CM6-7-1	Hexagon Bolt M5x20	4 Pcs
CM41-7W	6.35mm Front Cover Plate	1 Pcs
CM6-11	CM Rear Cover Washer Plate	1 Pcs
CM6-12W	CM Rear Cover Plate	1 Pcs
CM6-14	Extension Punch Guide	1 Set
CM6-15-4	Bolt for Inserting Guide	1 Pcs
CM41-8W	CM Side Guide Plate	1 Pcs
WM-2	Frame Bar	2 Pcs
WM-23	Left Gear Set	1 Pcs
WM-24	Right Gear Set	1 Pcs
WM-27	Washer For Handle	1 Pcs

## CORE PARTS SETS FOR COILMAC-ECI41

Part No.	Description	Q'ty
CM41-2(Set)	CM Set of Blade 41	1Set
CM6-3W(Set)	CM Side Plate Right	1Set
CM6-4W(Set)	CM Side Plate Left	1Set
WM-02-3W	Set of punch Handle	1Set
WM-02-4	Set of Punch Shaft	1Set
WM-05	Set of Depth Control Shaft	1Set

## STICKER FOR COILMAC-ECI41

Part No.	Description	Q'ty
CM41-P11	CoilMac-41ECI Sticker	1 pcs
CM41-P5	Set-pin Ruler Sticker 41	1 pcs
CM41-P6	Punch Ruler Sticker 41	1 pcs
ECI-P7	ECI-CM Operation Sticker	1 pcs
WM-P3	Logo Sticker	1 pcs
WM-P8	Depth Margin Sticker	1 pcs
WM-P48	Handle Direction Sticker	1 pcs
ECI-P15	ECI-CM Identity Sticker	1 pcs
JS2-P4	Shock Warning Sticker	1 pcs

## CORE PARTS FOR COILMAC-ECI41

Part No.	Description	Q'ty
B123-18	Hexagon Bolt M3x4	2 pcs
CM41-4	Rear Plate for Set Pin 41	1 pcs
CM6-5-1	Blade 47.5mm Length	3 pcs
CM6-5-2	Blade 48.5mm Length	3 pcs
CM6-5-3	Blade 49.5mm Length	3 pcs
CM6-5-4	Blade 50.5mm Length	3 pcs
CM6-5-5	Blade 51.5mm Length	3 Pcs
CM6-5-6	Blade 52.5mm Length	3 Pcs
CM6-5-7	Blade 53.5mm Length	3 Pcs
CM6-5-8	Blade 54.5mm Length	3 Pcs
CM6-5-9	Blade 55.5mm Length	3 Pcs
CM6-5-10	Blade 56.5mm Length	3 Pcs
CM6-5-11	Blade 57.5mm Length	3 Pcs
CM6-5-12	Blade 58.5mm Length	3 Pcs
CM6-5-13	Blade 59.5mm Length	3 Pcs
CM6-5-14	Blade 60.5mm Length	3 Pcs
CM6-5-15	Blade 61.5mm Length	3 Pcs
CM6-5-16	Blade 62.5mm Length	3 Pcs
CM6-5-17	Blade 63.5mm Length	3 Pcs
CM6-5-18	Blade 64.5mm Length	1 Pcs
CM6-5-19	Blade 65.5mm Length	1 Pcs
CM41-5	Set of Set-Pins 41	1 Set
CM41-6	Press Bar 41	1 Pcs
CM6-7-1	Hexagon Bolt M5x20	4 Pcs
CM41-7W	6.35mm Front Cover Plate	1 Pcs
CM6-11	CM Rear Cover Washer Plate	1 Pcs
CM6-12W	CM Rear Cover Plate	1 Pcs
CM6-14	Extension Punch Guide	1 Set
CM6-15-4	Bolt for Inserting Guide	1 Pcs
CM41-8W	CM Side Guide Plate	1 Pcs
WM-2	Frame Bar	2 Pcs
WM-23	Left Gear Set	1 Pcs
WM-24	Right Gear Set	1 Pcs
WM-27	Washer For Handle	1 Pcs

# We Have it All...



## **MyBinding.com** *When Image Matters.*

**Guaranteed Lowest Prices** on an  
Endless Selection of Binding Systems, Laminators,  
Paper Shredders, Supplies and Accessories.

**We have you covered** with Expert Advice  
and Support. Our popular blog keeps you up to  
date on the latest tips and techniques to make  
your most important binding and laminating  
tasks a success.

**Call Us Today**

**1-800-944-4573**

### **Our Trusted Partners**

GBC / Ibico

Fellowes

Powis Fastback

Unibind

Akiles

Renz

Tamerica

Rhin-O-Tuff

DFG

Pro-Bind

Martin Yale

MBM

Formax

Intimus

Dahle

HSM

Standard

Xyron

Challenge

Lasko-Wizer

GBC Shredmaster

Avery

Wilson Jones

Cardinal

Samsill

Universal



- BINDING MACHINES
- BINDING SUPPLIES
- LAMINATORS
- I.D. ACCESSORIES
- BOARDS & EASELS
- PAPER SHREDDERS
- XYRON LAMINATORS
- COIL BINDING MACHINES
- UNIBIND BINDING MACHINES
- FASTBACK BINDING EQUIPMENT
- PAPER FOLDING MACHINES
- LAMINATING POUCHES
- ROTARY TRIMMERS
- CLEAR COVERS
- TWIN LOOP WIRE
- REGENCY COVERS
- PLASTIC BINDING COVERS
- VELOBIND BINDING MACHINES
- PAPER HANDLING EQUIPMENT
- THERMAL BINDING MACHINES
- PROCLICK BINDING SYSTEMS
- COMB BINDING MACHINES
- COMB BINDING SUPPLIES
- WIRE BINDING MACHINES
- POUCH LAMINATORS
- LAMINATING ROLLS
- 3-RING BINDERS
- ROLL LAMINATORS
- VELOBIND SPINES
- PAPER CUTTERS
- PAPER JOGGERS
- LETTER OPENERS
- THERMAL COVERS
- UNIBIND SUPPLIES
- PROCLICK SPINES
- ZIPBIND SPINES
- LINEN COVERS
- SPIRAL COIL
- INDEX TABS