

# Akiles CMB 650 Comb Opening Machine

## Instruction Manual

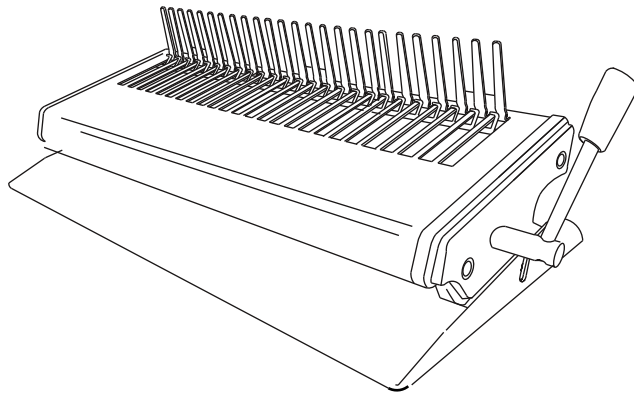


Provided By

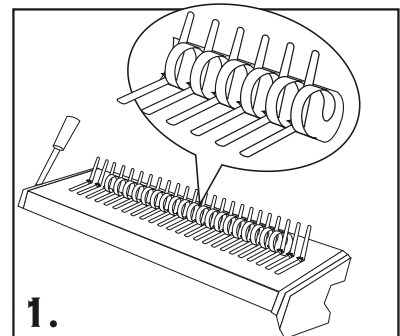
**MyBinding**.com®  
*When Image Matters.*

# COMB BINDING MODULE

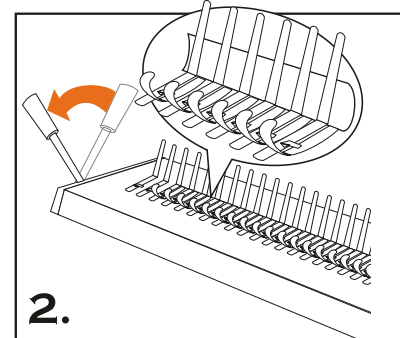
## AKILES CBM650 Comb Opener



1. Place pre-selected comb behind Comb Binding Fingers. The opening side of comb should be on top. **See Picture 1**

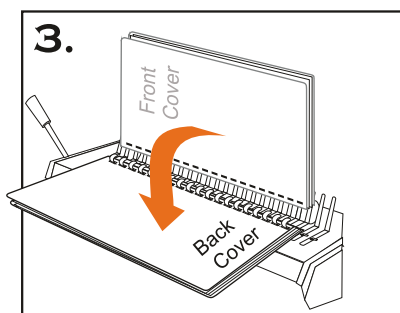


2. Slowly pull Comb Opener Handle down to open the comb, and stop when the comb is opened enough to allow sheets to be inserted. **See Picture 2**

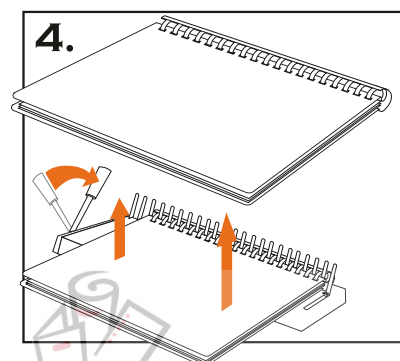


**IMPORTANT:** Depending on the size of the comb used, it may not be necessary to pull the Comb Opener Handle all the way down.

3. Jog the sheets and covers so all the holes are well aligned. Holding the document tightly with the front cover facing you, insert it into the open comb. **See Picture 3**



4. When all pages have been inserted into the open comb, slowly return the Comb Opener Handle to close the comb. Lift the entire book upwards to take it out of Comb Binding Fingers. The comb binding is now complete. **See Picture 4**



# We Have it All...



## **MyBinding.com** *When Image Matters.*

**Guaranteed Lowest Prices** on an  
Endless Selection of Binding Systems, Laminators,  
Paper Shredders, Supplies and Accessories.

**We have you covered** with Expert Advice  
and Support. Our popular blog keeps you up to  
date on the latest tips and techniques to make  
your most important binding and laminating  
tasks a success.

**Call Us Today**

**1-800-944-4573**

### **Our Trusted Partners**

GBC / Ibico  
Fellowes  
Powis Fastback  
Unibind  
Akiles  
Renz  
Tamerica  
Rhin-O-Tuff  
DFG

Pro-Bind  
Martin Yale  
MBM  
Formax  
Intimus  
Dahle  
HSM  
Standard  
Xyron

Challenge  
Lasko-Wizer  
GBC Shredmaster  
Avery  
Wilson Jones  
Cardinal  
Samsill  
Universal

- BINDING MACHINES
- BINDING SUPPLIES
- LAMINATORS
- I.D. ACCESSORIES
- BOARDS & EASELS
- PAPER SHREDDERS
- XYRON LAMINATORS
- COIL BINDING MACHINES
- UNIBIND BINDING MACHINES
- FASTBACK BINDING EQUIPMENT
- PAPER FOLDING MACHINES
- LAMINATING POUCHES
- ROTARY TRIMMERS
- CLEAR COVERS
- TWIN LOOP WIRE
- REGENCY COVERS
- PLASTIC BINDING COVERS
- VELOBIND BINDING MACHINES
- PAPER HANDLING EQUIPMENT
- THERMAL BINDING MACHINES
- PROCLICK BINDING SYSTEMS
- COMB BINDING MACHINES
- COMB BINDING SUPPLIES
- WIRE BINDING MACHINES
- POUCH LAMINATORS
- LAMINATING ROLLS
- 3-RING BINDERS
- ROLL LAMINATORS
- VELOBIND SPINES
- PAPER CUTTERS
- PAPER JOGGERS
- LETTER OPENERS
- THERMAL COVERS
- UNIBIND SUPPLIES
- PROCLICK SPINES
- ZIPBIND SPINES
- LINEN COVERS
- SPIRAL COIL
- INDEX TABS

